

## 1000

## RACCORDO DIRITTO MASCHIO CONICO

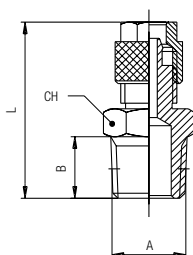
STRAIGHT MALE ADAPTOR (TAPER)

GERADE EINSCHRAUBVERSCHRAUBUNG KONISCH

RACCORD DROIT MÂLE CONIQUE

RACOR RECTO MACHO CÓNICO

CONEXÃO RETA MACHO COM ROSCA CÔNICA



Code	Tube	A	B	L	CH	Pack.
01000 00 001	4/2.7	1/8	7.5	23.5	12	10
01000 00 002	5/3	1/8	7.5	23	12	10
01000 00 003	6/4	1/8	7.5	25.6	12	10
01000 00 004	6/4	1/4	11	29.6	14	10
01000 00 005	6/4	3/8	11.5	30	17	10
01000 00 006	8/6	1/8	7.5	26.9	14	10
01000 00 007	8/6	1/4	11	30.9	14	10
01000 00 008	8/6	3/8	11.5	31.4	17	10
01000 00 009	8/6	1/2	14	34	22	10
01000 00 010	10/8	1/8	7.5	29	14	10
01000 00 011	10/8	1/4	11	33	14	10
01000 00 012	10/8	3/8	11.5	33.5	17	10
01000 00 013	10/8	1/2	14	36.5	22	10
01000 00 014	12/10	3/8	11.5	35	17	10
01000 00 015	12/10	1/2	14	38	22	10
01000 00 016	15/12.5	1/2	14	40	22	10

## 1010

## RACCORDO DIRITTO ORIENTABILE MASCHIO CONICO

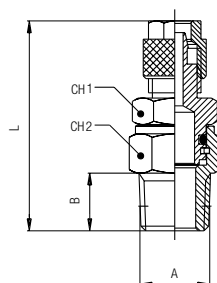
ORIENTING STRAIGHT MALE ADAPTOR (TAPER)

GERADE EINSCHRAUBVERSCHRAUBUNG KONISCH (DREHBAR)

RACCORD ORIENTABLE DROIT MÂLE CONIQUE

RACOR RECTO ORIENTABLE MACHO CÓNICO

CONEXÃO RETA MACHO ORIENTÁVEL COM ROSCA CÔNICA



Code	Tube	A	B	L	CH1	CH2	Pack.
01010 00 001	6/4	1/8	7.5	33.5	12	13	10
01010 00 002	6/4	1/4	11	40	14	15	10
01010 00 003	8/6	1/8	7.5	33.5	12	13	10
01010 00 004	8/6	1/4	11	40	14	15	10
* 01010 00 007	10/6.5	1/4	11	41	14	15	10
01010 00 005	10/8	1/4	11	41	14	15	10
* 01010 00 008	12/8	3/8	11.5	43.5	17	17	10
01010 00 006	12/10	3/8	11.5	43.5	17	17	10

\* Misure specifiche per tubi in POLIURETANO.

\* Particular sizes for the POLYURETHANE tubing.

\* Spezial Abmessungen für POLYURETHAN Rohre.

\* Dimensions spécifiques pour tube POLYURETHANE.

\* Medidas específicas para tubo en POLIURETANO.

\* Tamanhos específicos para tubos de POLIURETANO.

## 1015

## RACCORDO DIRITTO ORIENTABILE MASCHIO CILINDRICO

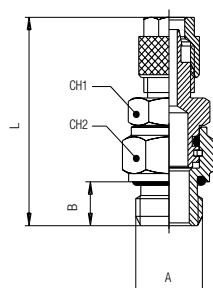
ORIENTING STRAIGHT MALE ADAPTOR (PARALLEL)

GERADE EINSCHRAUBVERSCHRAUBUNG ZYLINDRISCH (DREHBAR)

RACCORD ORIENTABLE DROIT MÂLE CYLINDRIQUE

RACOR RECTO ORIENTABLE MACHO CILÍNDRICO CON TÓRICA

CONEXÃO RETA MACHO ORIENTÁVEL COM ROSCA PARALELA



Code	Tube	A	B	L	CH1	CH2	Pack.
01015 00 001	6/4	1/8	6	34	12	13	10
01015 00 002	6/4	1/4	8	38	14	16	10
01015 00 003	8/6	1/8	6	34	12	13	10
01015 00 004	8/6	1/4	8	38	14	16	10
* 01015 00 005	10/6.5	1/4	8	40	14	16	10
01015 00 006	10/8	1/4	8	39	14	16	10
* 01015 00 007	12/8	3/8	9	42.5	17	18	10
01015 00 008	12/10	3/8	9	42.5	17	18	10

\* Misure specifiche per tubi in POLIURETANO.

\* Particular sizes for the POLYURETHANE tubing.

\* Spezial Abmessungen für POLYURETHAN Rohre.

\* Dimensions spécifiques pour tube POLYURETHANE.

\* Medidas específicas para tubo en POLIURETANO.

\* Tamanhos específicos para tubos de POLIURETANO.

**1020****RACCORDO DIRITTO MASCHIO CILINDRICO**

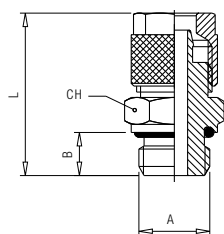
STRAIGHT MALE ADAPTOR (PARALLEL)

GERADE EINSCHRAUBVERSCHRAUBUNG ZYLINDRISCH

RACCORD DROIT MÂLE, CYLINDRIQUE

RACOR RECTO MACHO CILÍNDRICO CON TÓRICA

CONEXÃO RETA MACHO COM ROSCA PARALELA



Code	Tube	A	B	L	CH	Pack.
01020 00 001	4/2.7	1/8	6	23	13	10
01020 00 002	5/3	1/8	6	25.1	13	10
01020 00 003	6/4	1/8	6	25.1	13	10
01020 00 004	6/4	1/4	8	28.1	16	10
01020 00 005	6/4	3/8	9	29.1	19	10
01020 00 006	6/4	1/2	10	32	24	10
01020 00 007	8/6	1/8	6	26.4	14	10
01020 00 008	8/6	1/4	8	29.4	16	10
01020 00 009	8/6	3/8	9	30.4	19	10
01020 00 010	8/6	1/2	10	32	24	10
01020 00 011	10/8	1/8	6	28.5	14	10
01020 00 012	10/8	1/4	8	31.5	16	10
01020 00 013	10/8	3/8	9	32.5	19	10
01020 00 014	10/8	1/2	10	34.5	24	10
01020 00 015	12/10	3/8	9	34	19	10
01020 00 016	12/10	1/2	10	36	24	10
01020 00 017	15/12.5	1/2	10	38	24	10

**1021****RACCORDO DIRITTO MASCHIO CON FILETTATURE METRICHE**

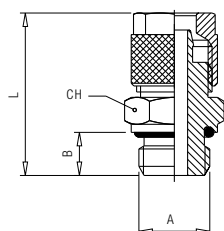
STRAIGHT MALE ADAPTOR WITH METRIC THREAD

GERADE EINSCHRAUBVERSCHRAUBUNG METRISCHE GEWINDE

RACCORD DROIT MÂLE, FILETAGE METRIQUE

RACOR RECTO MACHO CON TÓRICA CON ROSCA MÉTRICA

CONEXÃO RETA MACHO COM ROSCA MÉTRICA



Code	Tube	A	B	L	CH	Pack.
01021 00 001	4/2.7	M5	4	20.5	8	10
01021 00 002	4/2.7	M6	5	21.5	8	10
01021 00 003	5/3	M5	4	23.1	8	10
01021 00 004	5/3	M6	5	23.1	8	10
01021 00 005	6/4	M5	4	23.1	8	10
01021 00 006	6/4	M6	5	23.1	8	10
01021 00 007	6/4	M12x1	8	28.1	15	10
01021 00 008	6/4	M12x1.25	8	28.1	15	10
01021 00 009	6/4	M12x1.5	8	28.1	15	10

**1025****RACCORDO DIRITTO MASCHIO CONICO + DADO CON MOLLA**

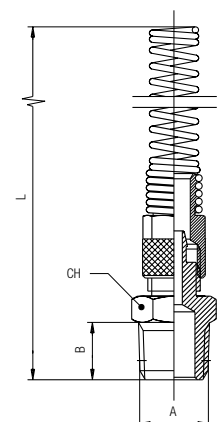
STRAIGHT MALE ADAPTOR (TAPER) + NUT WITH SPRING

GERADE VERSCHRAUBUNG KONISCH + KNICKSCHUTZFEDER

RACCORD DROIT MÂLE, CONIQUE AVEC RESSORT DE PROTECTION

RACOR RECTO MACHO CÓNICO + TUERCA CON MUELLE

CONEXÃO RETA MACHO COM ROSCA CÔNICA + PORCA COM MOLA

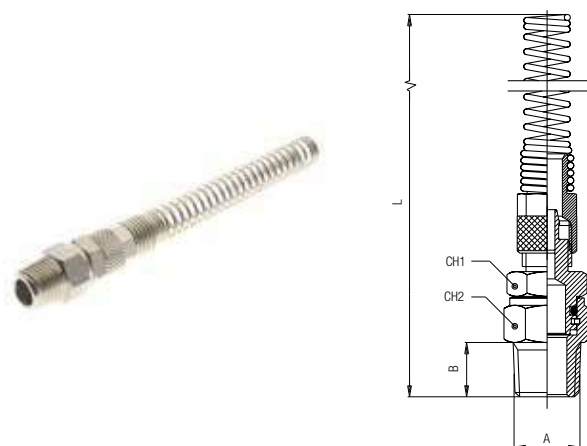


Code	Tube	A	B	L	CH	Pack.
01025 00 001	6/4	1/8	7.5	108	12	10
01025 00 002	6/4	1/4	11	112.5	14	10
01025 00 003	8/6	1/8	7.5	113.5	14	10
01025 00 004	8/6	1/4	11	118	14	10
01025 00 005	8/6	3/8	11.5	119	17	10
01025 00 006	8/6	1/2	14	121	22	10
01025 00 007	10/8	1/8	7.5	122	14	10
01025 00 008	10/8	1/4	11	126	14	10
01025 00 009	10/8	3/8	11.5	127	17	10
01025 00 010	10/8	1/2	14	130	22	10
01025 00 011	12/10	3/8	11.5	134	17	10
01025 00 012	12/10	1/2	14	137	22	10

## 1026

## RACCORDO DIRITTO ORIENTABILE MASCHIO CONICO + DADO CON MOLLA

ORIENTING STRAIGHT MALE ADAPTOR (TAPER) + NUT WITH SPRING  
 GERADE VERSCHRAUBUNG KONISCH (DREHBAR) + KNICKSCHUTZFEDER  
 RACCORD ORIENTABLE DROIT MÂLE, CONIQUE AVEC RESSORT DE PROTECTION  
 RACOR RECTO ORIENTABLE MACHO CÓNICO + TUERCA CON MUELLE  
 CONEXÃO RETA ORIENTÁVEL MACHO COM ROSCA CÔNICA + PORCA COM MOLA



Code	Tube	A	B	L	CH1	CH2	Pack.
01026 00 001	6/4	1/8	7.5	117.5	12	13	10
01026 00 002	6/4	1/4	11	121	14	15	10
01026 00 003	8/6	1/8	7.5	121	12	13	10
01026 00 004	8/6	1/4	11	128	14	15	10
* 01026 00 005	10/6.5	1/4	11	135	14	15	10
01026 00 006	10/8	1/4	11	136	14	15	10
* 01026 00 007	12/8	3/8	11.5	144	17	17	10
01026 00 008	12/10	3/8	11.5	144	17	17	10

\* Misure specifiche per tubi in POLIURETANO.

\* Particular sizes for the POLYURETHANE tubing.

\* Spezial Abmessungen für POLYURETHAN Rohre.

\* Dimensions spécifiques pour tube POLYURETHANE.

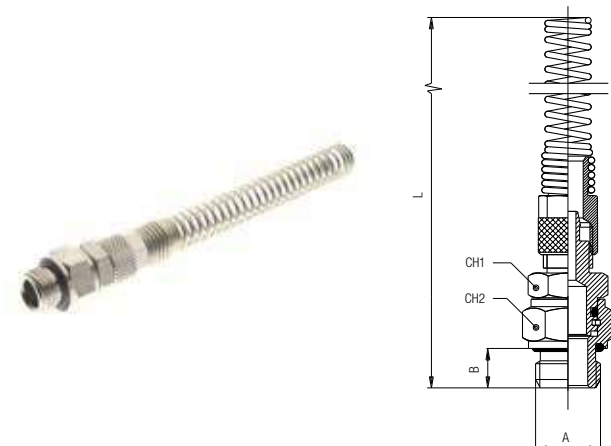
\* Medidas específicas para tubo en POLIURETANO.

\* Tamanhos específicos para tubos de POLIURETANO.

## 1027

## RACCORDO DIRITTO ORIENTABILE MASCHIO CILINDRICO + DADO CON MOLLA

ORIENTING STRAIGHT MALE ADAPTOR (PARALLEL) + NUT WITH SPRING  
 GERADE VERSCHRAUBUNG ZYLINDRISCH (DREHBAR) + KNICKSCHUTZFEDER  
 RACCORD ORIENTABLE DROIT MÂLE, CYLINDRIQUE AVEC RESSORT DE PROTECTION  
 RACOR RECTO ORIENTABLE MACHO CILÍNDRICO CON TÓRICA + TUERCA CON MUELLE  
 CONEXÃO RETA ORIENTÁVEL MACHO COM ROSCA PARALELA + PORCA COM MOLA



Code	Tube	A	B	L	CH1	CH2	Pack.
01027 00 001	6/4	1/8	6	116	12	13	10
01027 00 002	6/4	1/4	8	121	14	16	10
01027 00 003	8/6	1/8	6	122	12	13	10
01027 00 004	8/6	1/4	8	126	14	16	10
* 01027 00 005	10/6.5	1/4	8	134	14	16	10
01027 00 006	10/8	1/4	8	134	14	16	10
* 01027 00 007	12/8	3/8	9	143	17	18	10
01027 00 008	12/10	3/8	9	142	17	18	10

\* Misure specifiche per tubi in POLIURETANO.

\* Particular sizes for the POLYURETHANE tubing.

\* Spezial Abmessungen für POLYURETHAN Rohre.

\* Dimensions spécifiques pour tube POLYURETHANE.

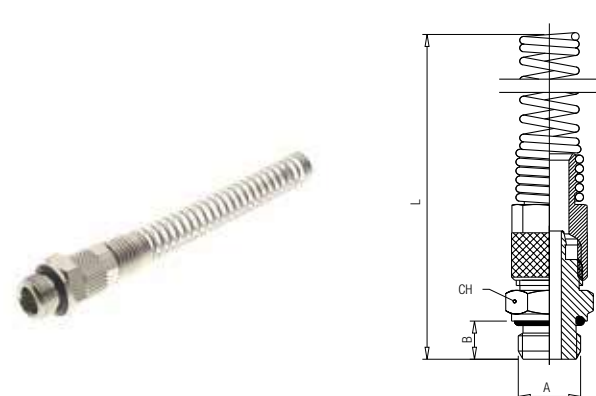
\* Medidas específicas para tubo en POLIURETANO.

\* Tamanhos específicos para tubos de POLIURETANO.

## 1028

## RACCORDO DIRITTO MASCHIO CILINDRICO + DADO CON MOLLA

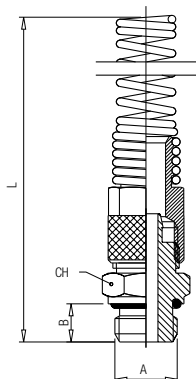
STRAIGHT MALE ADAPTOR (PARALLEL) + NUT WITH SPRING  
 GERADE VERSCHRAUBUNG ZYLINDRISCH + KNICKSCHUTZFEDER  
 RACCORD DROIT MÂLE, CYLINDRIQUE AVEC RESSORT DE PROTECTION  
 RACOR RECTO MACHO CILÍNDRICO CON TÓRICA + TUERCA CON MUELLE  
 CONEXÃO RETA MACHO COM ROSCA PARALELA + PORCA COM MOLA



Code	Tube	A	B	L	CH	Pack.
01028 00 001	6/4	1/8	6	109	13	10
01028 00 002	6/4	1/4	8	111	16	10
01028 00 003	6/4	3/8	9	112	19	10
01028 00 004	6/4	1/2	10	114	24	10
01028 00 005	8/6	1/8	6	114	14	10
01028 00 006	8/6	1/4	8	116.5	16	10
01028 00 007	8/6	3/8	9	117.5	19	10
01028 00 008	8/6	1/2	10	119.5	24	10
01028 00 009	10/8	1/8	6	121.5	14	10
01028 00 010	10/8	1/4	8	125.5	16	10
01028 00 011	10/8	3/8	9	125.5	19	10
01028 00 012	10/8	1/2	10	128.5	24	10
01028 00 013	12/10	3/8	9	133	19	10
01028 00 014	12/10	1/2	10	134.5	24	10

**1029****RACCORDO DIRITTO MASCHIO CON FILETTATURE METRICHE + DADO CON MOLLA**

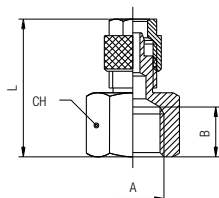
STRAIGHT MALE ADAPTOR WITH METRIC THREAD + NUT WITH SPRING  
 GERADE VERSCHRAUBUNG METRISCHE GEWINDE + KNICKSCHUTZFEDER  
 RACCORD DROIT MÂLE, FILETAGE MÉTRIQUE AVEC RESSORT DE PROTECTION  
 RACOR RECTO MACHO CON ROSCA MÉTRICA + TUERCA CON MUELLE  
 CONEXÃO RETA MACHO COM ROSCA MÉTRICA + PORCA COM MOLA



Code	Tube	A	B	L	CH	Pack.
01029 00 001	6/4	M12x1	8	111	15	10
01029 00 002	6/4	M12x1.25	8	111	15	10
01029 00 003	6/4	M12x1.5	8	111	15	10

**1030****RACCORDO DIRITTO FEMMINA**

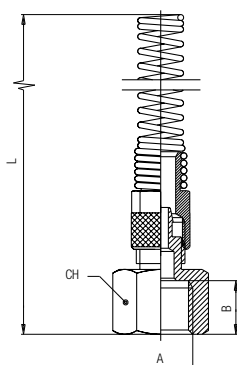
STRAIGHT FEMALE ADAPTOR  
 AUFSCHRAUBVERSCHRAUBUNG  
 RACCORD DROIT, TARAUEE  
 RACOR RECTO HEMBRA  
 CONEXÃO RETA COM ROSCA FÊMEA



Code	Tube	A	B	L	CH	Pack.
01030 00 001	6/4	1/8	8.5	23.3	14	10
01030 00 002	6/4	1/4	11	27	17	10
01030 00 003	6/4	3/8	11.5	28	22	10
01030 00 004	8/6	1/8	8	24.7	14	10
01030 00 005	8/6	1/4	11	28.7	17	10
01030 00 006	8/6	3/8	11.5	29.2	22	10
01030 00 007	8/6	1/2	15.5	33	24	10
01030 00 008	10/8	1/4	11	30.5	17	10
01030 00 009	10/8	3/8	11.5	31	22	10
01030 00 010	10/8	1/2	15.5	34.5	24	10
01030 00 011	12/10	3/8	11.5	32.5	22	10

**1035****RACCORDO DIRITTO FEMMINA + DADO CON MOLLA**

STRAIGHT FEMALE ADAPTOR + NUT WITH SPRING  
 AUFSCHRAUBVERSCHRAUBUNG + KNICKSCHUTZFEDER  
 RACCORD DROIT, TARAUEE AVEC RESSORT DE PROTECTION  
 RACOR RECTO HEMBRA + TUERCA CON MUELLE  
 CONEXÃO RETA COM ROSCA FÊMEA + PORCA COM MOLA

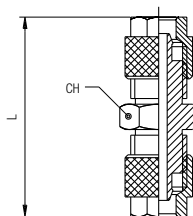


Code	Tube	A	B	L	CH	Pack.
01035 00 001	6/4	1/8	8.5	106	14	10
01035 00 002	6/4	1/4	11	109	17	10
01035 00 003	6/4	3/8	11.5	110	22	10
01035 00 004	8/6	1/8	8	112	14	10
01035 00 005	8/6	1/4	11	115.5	17	10
01035 00 006	8/6	3/8	11.5	116	22	10
01035 00 007	8/6	1/2	15.5	119.5	24	10
01035 00 008	10/8	1/4	11	123	17	10
01035 00 009	10/8	3/8	11.5	124.5	22	10
01035 00 010	10/8	1/2	15.5	128.5	24	10
01035 00 011	12/10	3/8	11.5	131	22	10

## 1040

### RACCORDO DIRITTO INTERMEDIO

STRAIGHT CONNECTOR  
 VERBINDUNGSVERSCHRAUBUNG  
 RACCORD UNION DOUBLE  
 RACOR RECTO INTERMEDIO  
 CONEXÃO RETA TUBO-TUBO

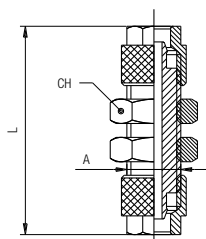


Code	Tube	Tube	L	CH	Pack.
01040 00 001	4/2.7		27.5	8	10
01040 00 002	5/3		31.7	8	10
01040 00 003	6/4	5/3	32.2	12	10
01040 00 004	6/4		32.2	12	10
01040 00 005	8/6	6/4	33.5	12	10
01040 00 006	8/6		34.8	12	10
01040 00 007	10/8	6/4	35.6	14	10
01040 00 008	10/8	8/6	36.9	14	10
01040 00 009	10/8		39	14	10
01040 00 010	12/10		43	17	10
01040 00 011	15/12.5		47	22	10

## 1050

### RACCORDO DIRITTO INTERMEDIO DI ATTRAVERSAMENTO

BULKHEAD CONNECTOR  
 SCHOTTVERSCHRAUBUNG  
 RACCORD TRAVERSÉE DE CLOISON  
 RACOR RECTO INTERMEDIO PASATABIQUES  
 CONEXÃO PASSA-MURO RETA TUBO-TUBO

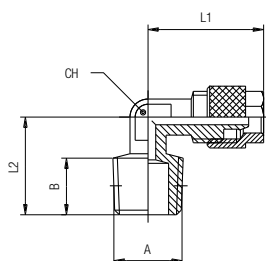


Code	Tube	A	L	CH	Pack.
01050 00 001	4/2.7	M6x0.5	35	10	10
01050 00 002	5/3	M7x0.75	35	10	10
01050 00 003	6/4x5/3	M10x1	45.5	14	10
01050 00 004	6/4	M10x1	45.5	14	10
01050 00 005	8/6x6/4	M12x1	47.3	17	10
01050 00 006	8/6	M12x1	48.4	17	10
01050 00 007	10/8x6/4	M14x1	49.8	17	10
01050 00 008	10/8x8/6	M14x1	51.2	17	10
01050 00 009	10/8	M14x1	52	17	10
01050 00 010	12/10	M16x1	57	19	10
01050 00 011	15/12.5	M20x1	59	24	10

## 1100

### RACCORDO A L MASCHIO CONICO

ELBOW MALE ADAPTOR (TAPER)  
 WINKELVERSCHRAUBUNG KONISCH (NICHT DREHBAR)  
 EQUERRE MÂLE NON ORIENTABLE, CONIQUE  
 RACOR A L MACHO CÓNICO  
 CONEXÃO EM "L" COM ROSCA MACHO CÔNICA



Code	Tube	A	B	L1	L2	CH	Pack.
01100 00 001	4/2.7	1/8	7.5	19.5	15	8	10
01100 00 002	5/3	1/8	7.5	19.5	15	8	10
01100 00 003	6/4	1/8	7.5	19.5	15	8	10
01100 00 004	6/4	1/4	11	20.6	19	8	10
01100 00 005	6/4	3/8	11.5	21	21	9	10
01100 00 006	8/6	1/8	7.5	19.9	16.5	9	10
01100 00 007	8/6	1/4	11	21.9	19	9	10
01100 00 008	8/6	3/8	11.5	23.4	21	9	10
01100 00 009	8/6	1/2	14	26	28	16	10
01100 00 010	10/8	1/8	7.5	25	18	11	10
01100 00 011	10/8	1/4	11	24	22	11	10
01100 00 012	10/8	3/8	12.5	25.5	22.5	11	10
01100 00 013	10/8	1/2	14	28	28	16	10
01100 00 014	12/10	3/8	11.5	27	22.5	13	10
01100 00 015	12/10	1/2	14	30	28	16	10
01100 00 016	15/12.5	1/2	14	31.5	28	16	10