



TAPER BUSH LOCKING DEVICE



English



Español



Italiano



Deutsch



Français



Nederlands



Polskie

Cross Reference Table

229

Tabla de referencia de Cross • Tabella di riferimento trasversale

Kreuz Referenztafel • Table de référence croisée • Kruis referentietabel

Tabele kompatybilności

Engineering Data

230

Datos de ingeniería • Dati ingegneristici • Technische gegevens

Données d'ingénierie • Technische gegevens • Dane Inżynieria

Taper Bush Locking Devices

231

Dispositivos de cierre cónicos • Dispositivi di bloccaggio bussola conica

Kegel Busch Verriegelungen • Dispositifs de verrouillage conique bush

Taper bush vergrendeling apparaten • stożek krzak urządzenia blokujące

Interchange table

| DUNLOP | FENNER DRIVES B-LOC | BONFIGLIOLI BONFIX | CHIARAVALLI | TRANSEV DRIVELOCK | CHALLENGE EASTLOCK | FENNER/ERIKS FENLOCK | POGGI POGGILOCK | RINGFEDER | RINGSPAN | TOLLOK |
|--------|------------------------|-----------------------|-------------|----------------------|-----------------------|-------------------------|--------------------|------------|----------|------------|
| DLK110 | B-800 | 1000 | RCK 80 | 80 | 02 | FLK110 | CAL-B | RFN 7110 | RLK110 | TLK110 |
| DLK130 | - | 4000 | RCK 70 | 70 | 04 | FLK130 | CAL-D | TI 9013.A | RLK130 | TLK130 |
| DLK131 | B-103 | 4500 | RCK 71 | 71 | 06 | FLK131 | CAL-E | TI 9013.B | RLK131 | TLK131 |
| DLK132 | - | 4100 | RCK 13 | 13 | 05 | FLK132 | CAL-DS | RFN 7013.0 | RLK132 | TLK132 |
| DLK133 | B-106 | 4600 | RCK 16 | 16 | 07 | FLK106/133 | CAL-ES | RFN 7013.1 | RLK133 | TLK106/133 |
| DLK134 | - | 4900 | RCK 15 | 15 | 15 | FLK134 | - | - | RLK134 | TLK134 |
| DLK200 | B-400 | 2000 | RCK 40 | 40 | 01 | FLK200 | CAL-A | RFN 7012 | RLK200 | TLK 200 |
| DLK300 | B-500 | 3000 | RCK 50 | 50 | 03 | FLK300 | CAL-C | RFN 8006 | RLK300 | TLK300 |
| DLK450 | B-112 | 9500 | RCK 11 | 11 | 19 | FLK450 | CAL-F | RFN 7015.0 | RLK450 | TLK450 |
| DLK603 | SD-10 | 8000 | RCK 19 | 19 | 14 | FLK603 | CAL-SD | RFN 4071 | RLK603 | TLK603 |

ENGINEERING DATA



TECHNICAL INFORMATION

The functioning principle of the articles presented is based on radial deformation of the items, made up of a truncated cone section: the tightening torque applied to the connecting screws causes an axial movement of the parts in contact with each other and in function of the inverse cone shape and the longitudinal cuts made on them provokes an increase in the diameter (of the external ring) and a reduction of the diameter (of the internal ring).

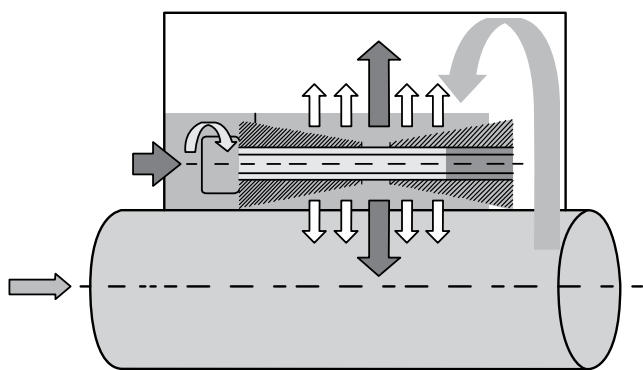
This changes allows (by virtue of the specific pressure between the bodies in contact) transmission of the torque between the shaft and the part connected to it (gear, timing belt pulley, V-Belt pulley or other specific parts).

- The advantages of the system block are as follows:
- Elimination of play between the shaft and the part driven.
- Uniform distribution of the load over the entire diameter
- Facility of synchronisation between the various possible parts connected as a set
- Reduction of the diameter (of project) of the drive shaft
- Increase of the resistant section of the drive shaft
- Reduction of the procurement times for machine assembly
- Maintenance facilitated with no need to stop the machine
- Availability of spare parts by main sub-suppliers of technical equipment

| | DLK132 | DLK133 | DLK134 | DLK110 | DLK130 | DLK131 | DLK450 | DLK200 | DLK300 | DLK603 |
|--------------------------------|--------|--------|--------|--------|--------|--------|--------|--------|--------|--------|
| SELF CENTERING | ● | ● | ● | ● | ● | ● | ● | | | |
| NOT SELF CENTERING | | | | | | | | ● | ● | ● |
| MINIMUM RADIAL DIMENSIONS | | | | ● | | | | | ● | |
| RAPID MAINTENANCE AND ASSEMBLY | ● | ● | ● | ● | ● | ● | | ● | ● | ● |
| MEDIUM TO LOW TORQUE | | | | | | | | | ● | |
| MEDIUM TO HIGH TORQUE | ● | ● | | | | | | ● | | ● |
| HIGH TORQUE | | | ● | | ● | ● | ● | | | |
| SELF LOCKING | ● | ● | ● | ● | ● | ● | ● | | | |
| NON SELF LOCKING | | | | | | | | ● | ● | ● |

| Duty Factor (s) | LOAD TYPE | | |
|-------------------|-----------|--------------|-------------|
| | Constant | Intermittent | Alternating |
| Electric Motor | 1 - 1.2 | 1.2 - 1.5 | 1.5 - 2 |
| Combustion Engine | 1.2 - 1.5 | 1.5 - 2 | 2 - 3 |

TECHNICAL SPECIFICATION



- Pm** Pressure of locking set on hub
- Pa** Pressure of locking set on shaft
- Ta** Axial force transmissible
- Tv** Screw tightening torque
- Tm** Axial force exerted
- Mt** Transmissible torque of locking set
- Pt** Radial force (pressure)

$Pt_{hub} = \pi \cdot D \cdot H_2 \cdot P_m$

$Pt_{shaft} = \pi \cdot d \cdot H_2 \cdot P_a$

$Pt = Pt \cdot \mu \cdot d / 2$

$T_a = 2 \cdot M_t \cdot s$

$Pt_{shaft} = Pt_{hub}$

μ = coefficient of friction (0.13) for lubricated locking set (dry 0.15)

s = Duty Factor

| Screws UNI 5931 DIN 6912-7984 | Pitch (mm) | Tightening torque Tv with class 12.9 screws NM (UNI 3740-9) |
|-------------------------------|------------|-------------------------------------------------------------|
| M6 | 1.00 | 17.5 |
| M8 | 1.25 | 42.0 |
| M10 | 1.50 | 85.0 |
| M12 | 1.75 | 145.0 |
| M14 | 2.00 | 235.0 |
| M16 | 2.00 | 360.0 |
| M18 | 2.50 | 485.0 |
| M20 | 2.50 | 705.0 |
| M22 | 2.50 | 960.0 |
| M24 | 3.00 | 1220.0 |
| M30 | 3.00 | 2400.0 |

Tolerance and degree of roughness of surfaces.

Shaft:
Tolerance h8
roughness Rz <= 16 μm

Hub:
Tolerance H8
roughness Rz <= 16 μm

TAPER BUSH LOCKING DEVICE

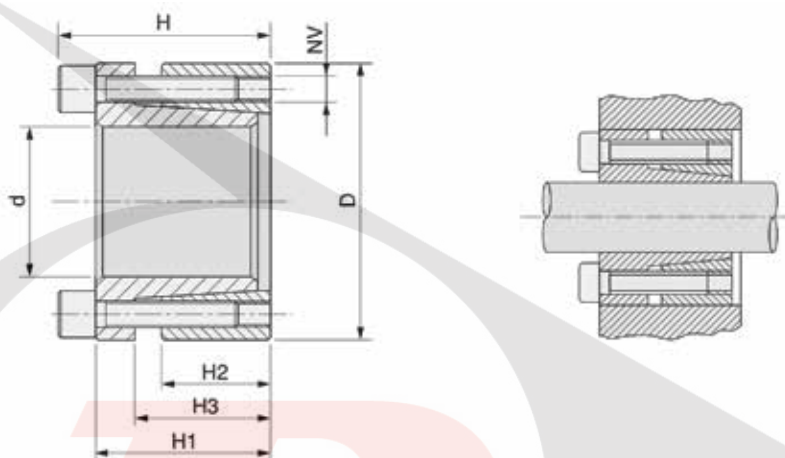


TAPER BUSH LOCKING DEVICE

Description

Taper Bush Locking devices are precision made to provide a wide, versatile range of key less shaft/hub fixing assemblies. Their design is such they can be fitted to any mating component that has a parallel bore.

They offer simple installation, resistance to alternating torques, increased shaft strength, zero backlash, actual and angular adjustment therefore creating high torque transmission capacity.



DLK132 SECTION

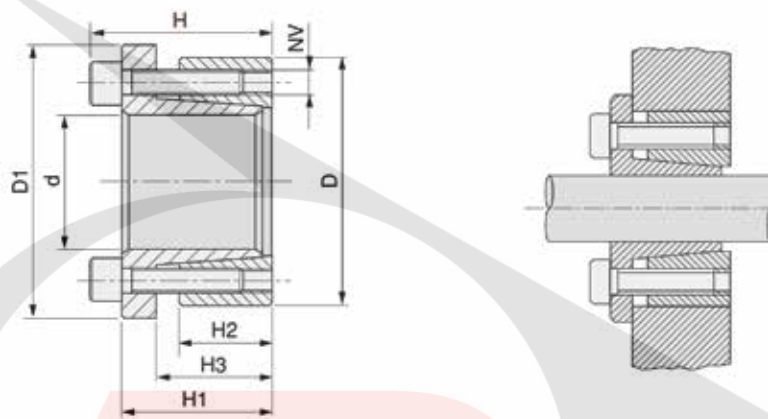
| Part No. | Dimensions | | | | | | Tightening | | | Loosening | | Performances | | Surface Pressure | |
|------------|------------|-----|----|----|----|----|------------|---------|---------------|-----------|---------------|--------------|---------|-------------------------|-------------------------|
| | d | D | H | H1 | H2 | H3 | NV | Tv (Nm) | No. of screws | NV | No. of screws | Mt (mm) | Ta (KN) | Pa (N/mm ²) | Pm (N/mm ²) |
| DLK132-019 | 19 | 47 | 34 | 28 | 17 | 22 | M6x20 | 13 | 5 | M6x20 | 3 | 273 | 29 | 262 | 106 |
| DLK132-020 | 20 | 47 | 34 | 28 | 17 | 22 | M6x20 | 13 | 5 | M6x20 | 3 | 287 | 29 | 249 | 106 |
| DLK132-022 | 22 | 47 | 34 | 28 | 17 | 22 | M6x20 | 13 | 5 | M6x20 | 3 | 316 | 29 | 227 | 106 |
| DLK132-024 | 24 | 50 | 34 | 28 | 17 | 22 | M6x20 | 13 | 6 | M6x20 | 3 | 413 | 34 | 249 | 120 |
| DLK132-025 | 25 | 50 | 34 | 28 | 17 | 22 | M6x20 | 13 | 6 | M6x20 | 3 | 431 | 34 | 239 | 120 |
| DLK132-028 | 28 | 55 | 34 | 28 | 17 | 22 | M6x20 | 13 | 6 | M6x20 | 3 | 482 | 34 | 213 | 109 |
| DLK132-030 | 30 | 55 | 34 | 28 | 17 | 22 | M6x20 | 13 | 6 | M6x20 | 3 | 517 | 34 | 199 | 109 |
| DLK132-032 | 32 | 60 | 34 | 28 | 17 | 22 | M6x20 | 13 | 8 | M6x20 | 4 | 734 | 46 | 249 | 133 |
| DLK132-035 | 35 | 60 | 34 | 28 | 17 | 22 | M6x20 | 13 | 8 | M6x20 | 4 | 803 | 46 | 227 | 133 |
| DLK132-038 | 38 | 65 | 34 | 28 | 17 | 22 | M6x20 | 13 | 8 | M6x20 | 4 | 872 | 46 | 210 | 122 |
| DLK132-040 | 40 | 65 | 34 | 28 | 17 | 22 | M6x20 | 13 | 8 | M6x20 | 4 | 918 | 46 | 199 | 122 |
| DLK132-045 | 45 | 75 | 41 | 33 | 20 | 25 | M8x25 | 32 | 7 | M8x25 | 3 | 1674 | 74 | 244 | 146 |
| DLK132-050 | 50 | 80 | 41 | 33 | 20 | 25 | M8x25 | 32 | 7 | M8x25 | 3 | 1860 | 74 | 219 | 137 |
| DLK132-055 | 55 | 85 | 41 | 33 | 20 | 25 | M8x25 | 32 | 8 | M8x25 | 4 | 2340 | 85 | 228 | 148 |
| DLK132-060 | 60 | 90 | 41 | 33 | 20 | 25 | M8x25 | 32 | 8 | M8x25 | 4 | 2553 | 85 | 209 | 139 |
| DLK132-065 | 65 | 95 | 41 | 33 | 20 | 25 | M8x25 | 32 | 9 | M8x25 | 3 | 3110 | 96 | 217 | 149 |
| DLK132-070 | 70 | 110 | 50 | 40 | 24 | 30 | M10x30 | 65 | 8 | M10x30 | 4 | 4838 | 138 | 243 | 154 |
| DLK132-075 | 75 | 115 | 50 | 40 | 24 | 30 | M10x30 | 65 | 8 | M10x30 | 4 | 5184 | 138 | 226 | 148 |
| DLK132-080 | 80 | 120 | 50 | 40 | 24 | 30 | M10x30 | 65 | 8 | M10x30 | 4 | 5530 | 138 | 212 | 142 |
| DLK132-085 | 85 | 125 | 50 | 40 | 24 | 30 | M10x30 | 65 | 9 | M10x30 | 3 | 6610 | 156 | 225 | 153 |
| DLK132-090 | 90 | 130 | 50 | 40 | 24 | 30 | M10x30 | 65 | 9 | M10x30 | 3 | 6998 | 156 | 212 | 147 |
| DLK132-095 | 95 | 135 | 50 | 40 | 24 | 30 | M10x30 | 65 | 10 | M10x30 | 4 | 8208 | 173 | 223 | 157 |

TAPER BUSH LOCKING DEVICE



DLK132 SECTION continued

| Part No. | Dimensions | | | | | | Tightening | | | Loosening | | Performances | | Surface Pressure | |
|------------|------------|-----|----|----|----|----|------------|---------|---------------|-----------|---------------|--------------|---------|-------------------------|-------------------------|
| | d | D | H | H1 | H2 | H3 | NV | Tv (Nm) | No. of screws | NV | No. of screws | Mt (mm) | Ta (KN) | Pa (N/mm ²) | Pm (N/mm ²) |
| DLK132X100 | 100 | 145 | 56 | 44 | 26 | 32 | M12x35 | 110 | 8 | M12x35 | 4 | 9742 | 195 | 221 | 152 |
| DLK132X110 | 110 | 155 | 56 | 44 | 26 | 32 | M12x35 | 110 | 8 | M12x35 | 4 | 10716 | 195 | 201 | 143 |
| DLK132X120 | 120 | 165 | 56 | 44 | 26 | 32 | M12x35 | 110 | 9 | M12x35 | 4 | 13154 | 219 | 207 | 151 |
| DLK132X130 | 130 | 180 | 64 | 52 | 34 | 40 | M12x35 | 110 | 12 | M12x35 | 6 | 18996 | 292 | 195 | 141 |
| DLK132X140 | 140 | 190 | 68 | 54 | 34 | 40 | M14x40 | 170 | 9 | M14x40 | 4 | 20336 | 291 | 180 | 133 |
| DLK132X150 | 150 | 200 | 68 | 54 | 34 | 40 | M14x40 | 170 | 10 | M14x40 | 5 | 24211 | 323 | 187 | 140 |



DLK133 SECTION

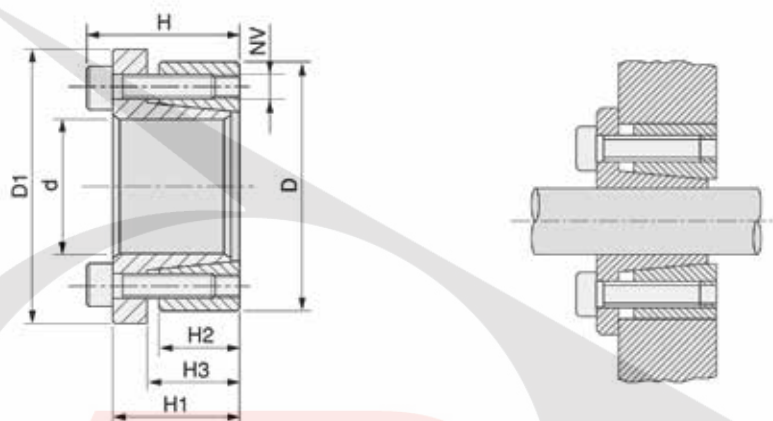
| Part No. | Dimensions | | | | | | | Tightening | | | Loosening | | Performances | | Surface Pressure | |
|------------|------------|-----|-----|----|----|----|----|------------|---------|---------------|-----------|---------------|--------------|---------|-------------------------|-------------------------|
| | d | D | D1 | H | H1 | H2 | H3 | NV | Tv (Nm) | No. of screws | NV | No. of screws | Mt (mm) | Ta (KN) | Pa (N/mm ²) | Pm (N/mm ²) |
| DLK133-019 | 19 | 47 | 56 | 34 | 28 | 17 | 22 | M6x20 | 17 | 5 | M6x20 | 3 | 243 | 26 | 234 | 94 |
| DLK133-020 | 20 | 47 | 56 | 34 | 28 | 17 | 22 | M6x20 | 17 | 5 | M6x20 | 3 | 256 | 26 | 222 | 94 |
| DLK133-022 | 22 | 47 | 56 | 34 | 28 | 17 | 22 | M6x20 | 17 | 5 | M6x20 | 3 | 282 | 26 | 202 | 94 |
| DLK133-024 | 24 | 50 | 59 | 34 | 28 | 17 | 22 | M6x20 | 17 | 6 | M6x20 | 3 | 368 | 31 | 222 | 106 |
| DLK133-025 | 25 | 50 | 59 | 34 | 28 | 17 | 22 | M6x20 | 17 | 6 | M6x20 | 3 | 383 | 31 | 213 | 106 |
| DLK133-028 | 28 | 55 | 64 | 34 | 28 | 17 | 22 | M6x20 | 17 | 6 | M6x20 | 3 | 429 | 31 | 190 | 97 |
| DLK133-030 | 30 | 55 | 64 | 34 | 28 | 17 | 22 | M6x20 | 17 | 6 | M6x20 | 3 | 460 | 31 | 177 | 97 |
| DLK133-032 | 32 | 60 | 69 | 34 | 28 | 17 | 22 | M6x20 | 17 | 8 | M6x20 | 4 | 655 | 41 | 222 | 118 |
| DLK133-035 | 35 | 60 | 69 | 34 | 28 | 17 | 22 | M6x20 | 17 | 8 | M6x20 | 4 | 716 | 41 | 203 | 118 |
| DLK133-038 | 38 | 65 | 74 | 34 | 28 | 17 | 22 | M6x20 | 17 | 8 | M6x20 | 4 | 778 | 41 | 187 | 109 |
| DLK133-040 | 40 | 65 | 74 | 34 | 28 | 17 | 22 | M6x20 | 17 | 8 | M6x20 | 4 | 819 | 41 | 178 | 109 |
| DLK133-045 | 45 | 75 | 84 | 41 | 33 | 20 | 25 | M8x25 | 41 | 7 | M8x25 | 3 | 1458 | 65 | 212 | 127 |
| DLK133-050 | 50 | 80 | 89 | 41 | 33 | 20 | 25 | M8x25 | 41 | 7 | M8x25 | 3 | 1620 | 65 | 191 | 119 |
| DLK133-055 | 55 | 85 | 94 | 41 | 33 | 20 | 25 | M8x25 | 41 | 8 | M8x25 | 4 | 2037 | 74 | 199 | 129 |
| DLK133-060 | 60 | 90 | 99 | 41 | 33 | 20 | 25 | M8x25 | 41 | 8 | M8x25 | 4 | 2223 | 74 | 182 | 121 |
| DLK133-065 | 65 | 95 | 104 | 41 | 33 | 20 | 25 | M8x25 | 41 | 9 | M8x25 | 3 | 2710 | 83 | 189 | 129 |
| DLK133-070 | 70 | 110 | 119 | 50 | 40 | 24 | 30 | M10x30 | 83 | 8 | M10x30 | 4 | 4203 | 120 | 211 | 134 |
| DLK133-075 | 75 | 115 | 124 | 50 | 40 | 24 | 30 | M10x30 | 83 | 8 | M10x30 | 4 | 4754 | 120 | 197 | 128 |
| DLK133-080 | 80 | 120 | 129 | 50 | 40 | 24 | 30 | M10x30 | 83 | 8 | M10x30 | 4 | 4804 | 120 | 184 | 123 |
| DLK133-085 | 85 | 125 | 134 | 50 | 40 | 24 | 30 | M10x30 | 83 | 9 | M10x30 | 3 | 5742 | 135 | 195 | 133 |
| DLK133-090 | 90 | 130 | 139 | 50 | 40 | 24 | 30 | M10x30 | 83 | 9 | M10x30 | 3 | 6080 | 135 | 184 | 128 |
| DLK133-095 | 95 | 135 | 144 | 50 | 40 | 24 | 30 | M10x30 | 83 | 10 | M10x30 | 4 | 7131 | 150 | 194 | 137 |

TAPER BUSH LOCKING DEVICE



DLK133 SECTION continued

| Part No. | Dimensions | | | | | | | Tightening | | | Loosening | | Performances | | Surface Pressure | |
|------------|------------|-----|-----|----|----|----|----|------------|---------|---------------|-----------|---------------|--------------|---------|-------------------------|-------------------------|
| | d | D | D1 | H | H1 | H2 | H3 | NV | Tv (Nm) | No. of screws | NV | No. of screws | Mt (mm) | Ta (KN) | Pa (N/mm ²) | Pm (N/mm ²) |
| DLK133X100 | 100 | 145 | 154 | 56 | 44 | 26 | 32 | M12x35 | 145 | 8 | M12x35 | 4 | 8732 | 175 | 198 | 137 |
| DLK133X110 | 110 | 155 | 164 | 56 | 44 | 26 | 32 | M12x35 | 145 | 8 | M12x35 | 4 | 9605 | 175 | 180 | 128 |
| DLK133X120 | 120 | 165 | 174 | 56 | 44 | 26 | 32 | M12x35 | 145 | 9 | M12x35 | 4 | 11787 | 196 | 186 | 135 |
| DLK133X130 | 130 | 180 | 189 | 64 | 52 | 34 | 40 | M12x35 | 145 | 12 | M12x35 | 6 | 17024 | 262 | 175 | 126 |
| DLK133X140 | 140 | 190 | 199 | 68 | 54 | 34 | 40 | M14x40 | 230 | 9 | M14x40 | 4 | 18703 | 267 | 166 | 122 |
| DLK133X150 | 150 | 200 | 209 | 68 | 54 | 54 | 40 | M14x40 | 230 | 10 | M14x40 | 5 | 22259 | 297 | 172 | 129 |



DLK134 SECTION

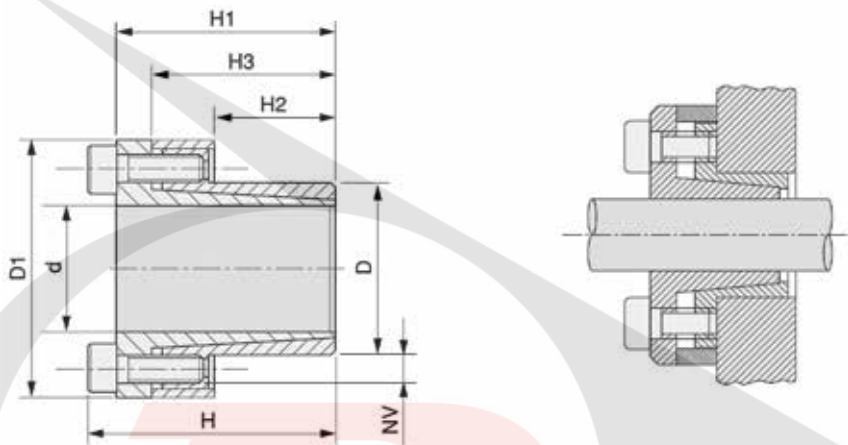
| Part No. | Dimensions | | | | | | | Tightening | | | Loosening | | Performances | | Surface Pressure | |
|------------|------------|----|----|----|----|----|----|------------|---------|---------------|-----------|---------------|--------------|---------|-------------------------|-------------------------|
| | d | D | D1 | H | H1 | H2 | H3 | NV | Tv (Nm) | No. of screws | NV | No. of screws | Mt (mm) | Ta (KN) | Pa (N/mm ²) | Pm (N/mm ²) |
| DLK134-114 | 14 | 55 | 62 | 39 | 31 | 17 | 22 | M8x25 | 37 | 4 | M8x25 | 2 | 234 | 33 | 415 | 106 |
| DLK134-116 | 16 | 55 | 62 | 39 | 31 | 17 | 22 | M8x25 | 37 | 4 | M8x25 | 2 | 268 | 33 | 363 | 106 |
| DLK134-118 | 18 | 55 | 62 | 39 | 31 | 17 | 22 | M8x25 | 41 | 4 | M8x25 | 2 | 333 | 37 | 357 | 117 |
| DLK134-119 | 19 | 55 | 62 | 39 | 31 | 17 | 22 | M8x25 | 41 | 4 | M8x25 | 2 | 352 | 37 | 338 | 117 |
| DLK134-120 | 20 | 55 | 62 | 39 | 31 | 17 | 22 | M8x25 | 41 | 4 | M8x25 | 2 | 370 | 37 | 321 | 117 |
| DLK134-122 | 22 | 55 | 62 | 39 | 31 | 17 | 22 | M8x25 | 41 | 4 | M8x25 | 2 | 407 | 37 | 292 | 117 |
| DLK134-124 | 24 | 55 | 62 | 39 | 31 | 17 | 22 | M8x25 | 41 | 4 | M8x25 | 2 | 445 | 37 | 268 | 117 |
| DLK134-125 | 25 | 55 | 62 | 39 | 31 | 17 | 22 | M8x25 | 41 | 4 | M8x25 | 2 | 463 | 37 | 257 | 117 |
| DLK134-128 | 28 | 55 | 62 | 39 | 31 | 17 | 22 | M8x25 | 41 | 4 | M8x25 | 2 | 519 | 37 | 229 | 117 |
| DLK134-130 | 30 | 55 | 62 | 39 | 31 | 17 | 22 | M8x25 | 41 | 4 | M8x25 | 2 | 556 | 37 | 214 | 117 |
| DLK134-124 | 24 | 65 | 72 | 39 | 31 | 17 | 22 | M8x25 | 41 | 5 | M8x25 | 3 | 556 | 46 | 335 | 124 |
| DLK134-125 | 25 | 65 | 72 | 39 | 31 | 17 | 22 | M8x25 | 41 | 5 | M8x25 | 3 | 579 | 46 | 321 | 124 |
| DLK134-128 | 28 | 65 | 72 | 39 | 31 | 17 | 22 | M8x25 | 41 | 5 | M8x25 | 3 | 649 | 46 | 287 | 124 |
| DLK134-130 | 30 | 65 | 72 | 39 | 31 | 17 | 22 | M8x25 | 41 | 5 | M8x25 | 3 | 695 | 46 | 268 | 124 |
| DLK134-132 | 32 | 65 | 72 | 39 | 31 | 17 | 22 | M8x25 | 41 | 5 | M8x25 | 3 | 741 | 46 | 251 | 124 |
| DLK134-133 | 33 | 65 | 72 | 39 | 31 | 17 | 22 | M8x25 | 41 | 5 | M8x25 | 3 | 764 | 46 | 242 | 124 |
| DLK134-135 | 35 | 65 | 72 | 39 | 31 | 17 | 22 | M8x25 | 41 | 5 | M8x25 | 3 | 811 | 46 | 230 | 124 |
| DLK134-138 | 38 | 65 | 72 | 39 | 31 | 17 | 22 | M8x25 | 41 | 5 | M8x25 | 3 | 917 | 46 | 211 | 124 |
| DLK134-140 | 40 | 65 | 72 | 39 | 31 | 17 | 22 | M8x25 | 41 | 5 | M8x25 | 3 | 966 | 46 | 201 | 124 |
| DLK134-130 | 30 | 80 | 87 | 41 | 33 | 20 | 25 | M8x25 | 41 | 7 | M8x25 | 3 | 972 | 65 | 318 | 119 |
| DLK134-132 | 32 | 80 | 87 | 41 | 33 | 20 | 25 | M8x25 | 41 | 7 | M8x25 | 3 | 1037 | 65 | 299 | 119 |
| DLK134-133 | 33 | 80 | 87 | 41 | 33 | 20 | 25 | M8x25 | 41 | 7 | M8x25 | 3 | 1069 | 65 | 289 | 119 |
| DLK134-135 | 35 | 80 | 87 | 41 | 33 | 20 | 25 | M8x25 | 41 | 7 | M8x25 | 3 | 1134 | 65 | 273 | 119 |

TAPER BUSH LOCKING DEVICE



DLK134 SECTION continued

| Part No. | Dimensions | | | | | | | Tightening | | | Loosening | | Performances | | Surface Pressure | |
|------------|------------|----|----|----|----|----|----|------------|---------|---------------|-----------|---------------|--------------|---------|-------------------------|-------------------------|
| | d | D | D1 | H | H1 | H2 | H3 | NV | Tv (Nm) | No. of screws | NV | No. of screws | Mt (mm) | Ta (KN) | Pa (N/mm ²) | Pm (N/mm ²) |
| DLK134-138 | 38 | 80 | 87 | 41 | 33 | 20 | 25 | M8X25 | 41 | 7 | M8X25 | 3 | 1231 | 65 | 251 | 119 |
| DLK134-140 | 40 | 80 | 87 | 41 | 33 | 20 | 25 | M8X25 | 41 | 7 | M8X25 | 3 | 1296 | 65 | 239 | 119 |
| DLK134-142 | 42 | 80 | 87 | 41 | 33 | 20 | 25 | M8X25 | 41 | 7 | M8X25 | 3 | 1361 | 65 | 227 | 119 |
| DLK134-145 | 45 | 80 | 87 | 41 | 33 | 20 | 25 | M8X25 | 41 | 7 | M8X25 | 3 | 1458 | 65 | 212 | 119 |
| DLK134-148 | 48 | 80 | 87 | 41 | 33 | 20 | 25 | M8X25 | 41 | 7 | M8X25 | 3 | 1555 | 65 | 199 | 119 |
| DLK134-150 | 50 | 80 | 87 | 41 | 33 | 20 | 25 | M8X25 | 41 | 7 | M8X25 | 3 | 1620 | 65 | 191 | 116 |



DLK110 SECTION

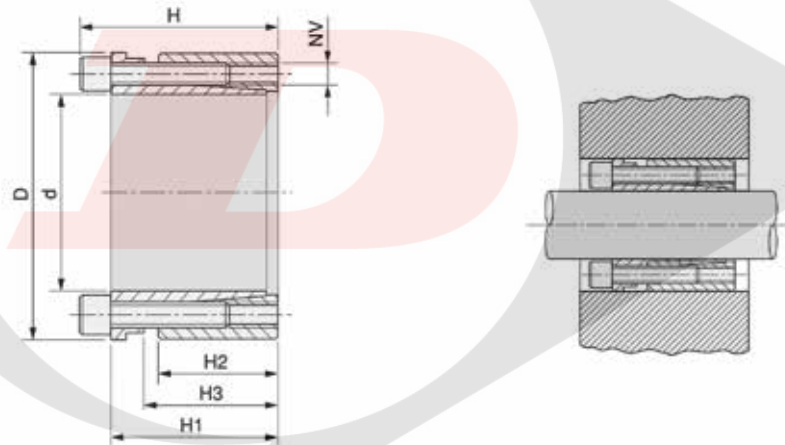
| Part No. | Dimensions | | | | | | | Tightening | | | Loosening | | Performances | | Surface Pressure | |
|------------|------------|----|----|----|----|----|----|------------|---------|---------------|-----------|---------------|--------------|---------|-------------------------|-------------------------|
| | d | D | D1 | H | H1 | H2 | H3 | NV | Tv (Nm) | No. of screws | NV | No. of screws | Mt (mm) | Ta (KN) | Pa (N/mm ²) | Pm (N/mm ²) |
| DLK110-008 | 8 | 15 | 28 | 28 | 24 | 12 | 21 | M4X10 | 4.81 | 4 | M4X10 | 3 | 39 | 10 | 299 | 159 |
| DLK110-009 | 9 | 16 | 32 | 31 | 27 | 14 | 23 | M4X12 | 5.2 | 4 | M4X12 | 3 | 44 | 10 | 227 | 128 |
| DLK110-010 | 10 | 16 | 32 | 31 | 27 | 14 | 23 | M4X12 | 5.2 | 4 | M4X12 | 3 | 49 | 10 | 205 | 128 |
| DLK110-011 | 11 | 18 | 34 | 31 | 27 | 14 | 23 | M4X12 | 5.2 | 4 | M4X12 | 3 | 53 | 10 | 186 | 114 |
| DLK110-012 | 12 | 18 | 34 | 31 | 27 | 14 | 23 | M4X12 | 5.2 | 4 | M4X12 | 3 | 58 | 10 | 171 | 114 |
| DLK110-014 | 14 | 23 | 39 | 31 | 27 | 14 | 23 | M4X12 | 5.2 | 4 | M4X12 | 3 | 68 | 10 | 146 | 89 |
| DLK110-015 | 15 | 24 | 45 | 42 | 36 | 16 | 29 | M6X18 | 17 | 3 | M6X18 | 2 | 120 | 16 | 196 | 123 |
| DLK110-016 | 16 | 24 | 45 | 42 | 36 | 16 | 29 | M6X18 | 17 | 3 | M6X18 | 2 | 128 | 16 | 184 | 123 |
| DLK110-018 | 18 | 26 | 47 | 44 | 38 | 18 | 31 | M6X18 | 17 | 4 | M6X18 | 3 | 191 | 21 | 194 | 134 |
| DLK110-019 | 19 | 27 | 48 | 44 | 38 | 18 | 31 | M6X18 | 17 | 4 | M6X18 | 3 | 202 | 21 | 183 | 129 |
| DLK110-020 | 20 | 28 | 49 | 44 | 38 | 18 | 31 | M6X18 | 17 | 4 | M6X18 | 3 | 213 | 21 | 174 | 124 |
| DLK110-022 | 22 | 32 | 54 | 51 | 45 | 25 | 38 | M6X18 | 17 | 4 | M6X18 | 3 | 234 | 21 | 114 | 78 |
| DLK110-024 | 24 | 34 | 56 | 51 | 45 | 25 | 38 | M6X18 | 17 | 4 | M6X18 | 3 | 255 | 21 | 105 | 74 |
| DLK110-025 | 25 | 34 | 56 | 51 | 45 | 25 | 38 | M6X18 | 17 | 4 | M6X18 | 3 | 266 | 21 | 100 | 74 |
| DLK110-028 | 28 | 39 | 61 | 51 | 45 | 25 | 38 | M6X18 | 17 | 5 | M6X18 | 3 | 373 | 27 | 112 | 81 |
| DLK110-030 | 30 | 41 | 63 | 51 | 45 | 25 | 38 | M6X18 | 17 | 6 | M6X18 | 3 | 480 | 32 | 126 | 92 |
| DLK110-032 | 32 | 43 | 65 | 56 | 50 | 30 | 43 | M6X18 | 17 | 6 | M6X18 | 3 | 511 | 32 | 98 | 73 |
| DLK110-035 | 35 | 47 | 69 | 56 | 50 | 30 | 43 | M6X18 | 17 | 8 | M6X18 | 4 | 747 | 43 | 120 | 89 |
| DLK110-038 | 38 | 50 | 72 | 56 | 50 | 30 | 43 | M6X18 | 17 | 8 | M6X18 | 4 | 811 | 43 | 110 | 84 |
| DLK110-040 | 40 | 53 | 75 | 58 | 52 | 32 | 45 | M6X18 | 17 | 9 | M6X18 | 4 | 959 | 48 | 110 | 83 |
| DLK110-042 | 42 | 55 | 77 | 58 | 52 | 32 | 45 | M6X18 | 17 | 9 | M6X18 | 4 | 1007 | 48 | 105 | 80 |
| DLK110-045 | 45 | 59 | 85 | 72 | 64 | 40 | 56 | M6X22 | 42 | 8 | M6X22 | 4 | 1781 | 79 | 130 | 99 |
| DLK110-048 | 48 | 62 | 88 | 72 | 64 | 40 | 56 | M8X22 | 42 | 8 | M8X22 | 4 | 1900 | 79 | 122 | 94 |

TAPER BUSH LOCKING DEVICE



DLK110 SECTION continued

| Part No. | Dimensions | | | | | | | Tightening | | | Loosening | | Performances | | Surface Pressure | |
|------------|------------|-----|-----|-----|-----|----|-----|------------|---------|---------------|-----------|---------------|--------------|---------|-------------------------|-------------------------|
| | d | D | D1 | H | H1 | H2 | H3 | NV | Tv (Nm) | No. of screws | NV | No. of screws | Mt (mm) | Ta (KN) | Pa (N/mm ²) | Pm (N/mm ²) |
| DLK110-050 | 50 | 65 | 92 | 82 | 74 | 50 | 66 | M8X22 | 42 | 10 | M8X22 | 5 | 2473 | 99 | 117 | 90 |
| DLK110-055 | 55 | 71 | 98 | 82 | 74 | 50 | 66 | M8X22 | 42 | 10 | M8X22 | 5 | 2721 | 99 | 106 | 82 |
| DLK110-060 | 60 | 77 | 104 | 82 | 74 | 50 | 66 | M8X22 | 42 | 10 | M8X22 | 5 | 2968 | 99 | 97 | 76 |
| DLK110-065 | 65 | 84 | 111 | 82 | 74 | 50 | 66 | M8X22 | 42 | 10 | M8X22 | 5 | 3215 | 99 | 90 | 69 |
| DLK110-070 | 70 | 90 | 122 | 101 | 91 | 60 | 80 | M10X25 | 84 | 8 | M10X25 | 4 | 4430 | 127 | 89 | 69 |
| DLK110-075 | 75 | 95 | 126 | 101 | 91 | 60 | 80 | M10X25 | 84 | 9 | M10X25 | 4 | 5338 | 142 | 93 | 74 |
| DLK110-080 | 80 | 100 | 131 | 106 | 96 | 65 | 85 | M10X25 | 84 | 12 | M10X25 | 5 | 7595 | 190 | 108 | 86 |
| DLK110-085 | 85 | 106 | 137 | 106 | 96 | 65 | 85 | M10X25 | 84 | 12 | M10X25 | 5 | 8069 | 190 | 101 | 81 |
| DLK110-090 | 90 | 112 | 143 | 106 | 96 | 65 | 85 | M10X25 | 84 | 14 | M10X25 | 6 | 9968 | 222 | 112 | 90 |
| DLK110-095 | 95 | 120 | 153 | 106 | 96 | 65 | 85 | M10X25 | 84 | 14 | M10X25 | 6 | 10522 | 222 | 106 | 84 |
| DLK110-100 | 100 | 125 | 162 | 114 | 102 | 65 | 89 | M12X30 | 145 | 12 | M12X30 | 5 | 13651 | 273 | 124 | 99 |
| DLK110-110 | 110 | 140 | 177 | 119 | 107 | 70 | 94 | M12X30 | 145 | 12 | M12X30 | 5 | 15016 | 273 | 105 | 82 |
| DLK110-120 | 120 | 155 | 195 | 139 | 127 | 90 | 114 | M12X30 | 145 | 16 | M12X30 | 7 | 21844 | 364 | 99 | 77 |
| DLK110-130 | 130 | 165 | 205 | 139 | 127 | 90 | 114 | M12X30 | 145 | 16 | M12X30 | 7 | 23664 | 364 | 92 | 72 |
| DLK110-140 | 140 | 175 | 215 | 139 | 127 | 90 | 114 | M12X30 | 145 | 16 | M12X30 | 7 | 25485 | 364 | 85 | 68 |
| DLK110-150 | 150 | 185 | 225 | 139 | 127 | 90 | 114 | M12X30 | 145 | 16 | M12X30 | 7 | 27305 | 364 | 80 | 64 |



DLK130 SECTION

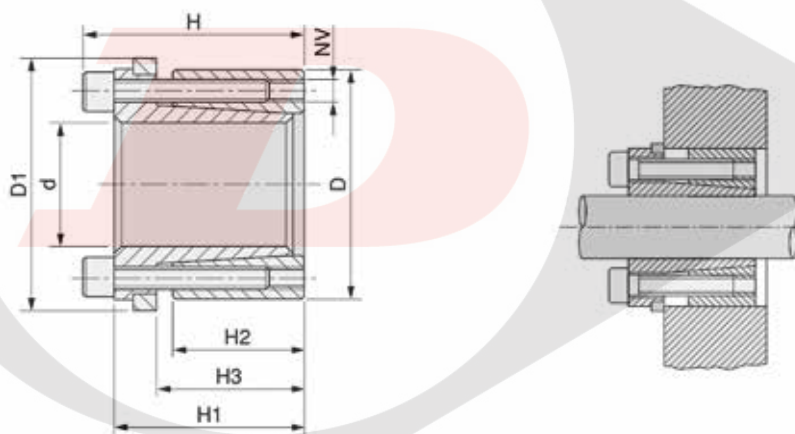
| Part No. | Dimensions | | | | | | Tightening | | | Loosening | | Performances | | Surface Pressure | |
|------------|------------|----|----|----|----|----|------------|---------|---------------|-----------|---------------|--------------|---------|-------------------------|-------------------------|
| | d | D | H | H1 | H2 | H3 | NV | Tv (Nm) | No. of screws | NV | No. of screws | Mt (mm) | Ta (KN) | Pa (N/mm ²) | Pm (N/mm ²) |
| DLK130-019 | 19 | 47 | 45 | 39 | 26 | 31 | M6X25 | 17 | 4 | M6X25 | 2 | 307 | 32 | 193 | 78 |
| DLK130-020 | 20 | 47 | 45 | 39 | 26 | 31 | M6X25 | 17 | 4 | M6X25 | 2 | 323 | 32 | 183 | 78 |
| DLK130-022 | 22 | 47 | 45 | 39 | 26 | 31 | M6X25 | 17 | 4 | M6X25 | 2 | 355 | 32 | 166 | 78 |
| DLK130-024 | 24 | 50 | 45 | 39 | 26 | 31 | M6X25 | 17 | 6 | M6X25 | 3 | 382 | 48 | 229 | 110 |
| DLK130-025 | 25 | 50 | 45 | 39 | 26 | 31 | M6X25 | 17 | 6 | M6X25 | 3 | 606 | 48 | 220 | 110 |
| DLK130-028 | 28 | 55 | 45 | 39 | 26 | 31 | M6X25 | 17 | 6 | M6X25 | 3 | 679 | 48 | 196 | 100 |
| DLK130-030 | 30 | 55 | 45 | 39 | 26 | 31 | M6X25 | 17 | 6 | M6X25 | 3 | 727 | 48 | 183 | 100 |
| DLK130-032 | 32 | 60 | 45 | 39 | 26 | 31 | M6X25 | 17 | 8 | M6X25 | 4 | 1033 | 65 | 229 | 122 |
| DLK130-035 | 35 | 60 | 45 | 39 | 26 | 31 | M6X25 | 17 | 8 | M6X25 | 4 | 1130 | 65 | 209 | 122 |
| DLK130-038 | 38 | 65 | 45 | 39 | 26 | 31 | M6X25 | 17 | 8 | M6X25 | 4 | 1227 | 65 | 193 | 113 |
| DLK130-040 | 40 | 65 | 45 | 39 | 26 | 31 | M6X25 | 17 | 8 | M6X25 | 4 | 1292 | 65 | 183 | 113 |
| DLK130-042 | 42 | 75 | 55 | 47 | 30 | 36 | M8X30 | 41 | 6 | M8X30 | 3 | 1835 | 87 | 204 | 115 |
| DLK130-045 | 45 | 75 | 55 | 47 | 30 | 36 | M8X30 | 41 | 6 | M8X30 | 3 | 1966 | 87 | 191 | 115 |

TAPER BUSH LOCKING DEVICE



DLK130 SECTION continued

| Part No. | Dimensions | | | | | | Tightening | | | Loosening | | Performances | | Surface Pressure | |
|------------|------------|-----|----|----|----|----|------------|---------|---------------|-----------|---------------|--------------|---------|-------------------------|-------------------------|
| | d | D | H | H1 | H2 | H3 | NV | Tv (Nm) | No. of screws | NV | No. of screws | Mt (mm) | Ta (KN) | Pa (N/mm ²) | Pm (N/mm ²) |
| DLK130-048 | 48 | 80 | 55 | 47 | 30 | 36 | M8X30 | 41 | 6 | M8X30 | 3 | 2097 | 87 | 179 | 107 |
| DLK130-050 | 50 | 80 | 55 | 47 | 30 | 36 | M8X30 | 41 | 6 | M8X30 | 3 | 2184 | 87 | 172 | 107 |
| DLK130-055 | 55 | 85 | 55 | 47 | 30 | 36 | M8X30 | 41 | 8 | M8X30 | 4 | 3202 | 116 | 208 | 135 |
| DLK130-060 | 60 | 90 | 55 | 47 | 30 | 36 | M8X30 | 41 | 8 | M8X30 | 4 | 3493 | 116 | 191 | 127 |
| DLK130-065 | 65 | 95 | 55 | 47 | 30 | 36 | M8X30 | 41 | 8 | M8X30 | 4 | 3784 | 116 | 176 | 120 |
| DLK130-070 | 70 | 110 | 67 | 57 | 40 | 46 | M10X35 | 83 | 8 | M10X35 | 4 | 6607 | 189 | 199 | 127 |
| DLK130-075 | 75 | 115 | 72 | 62 | 40 | 46 | M10X35 | 83 | 8 | M10X35 | 4 | 7079 | 189 | 186 | 121 |
| DLK130-080 | 80 | 120 | 72 | 62 | 40 | 46 | M10X35 | 83 | 8 | M10X35 | 4 | 7551 | 189 | 174 | 116 |
| DLK130-085 | 85 | 125 | 72 | 62 | 40 | 46 | M10X35 | 83 | 10 | M10X35 | 4 | 10029 | 236 | 205 | 139 |
| DLK130-090 | 90 | 130 | 72 | 62 | 40 | 46 | M10X35 | 83 | 10 | M10X35 | 4 | 10619 | 236 | 193 | 134 |
| DLK130-095 | 95 | 135 | 72 | 62 | 40 | 46 | M10X35 | 83 | 10 | M10X35 | 4 | 11209 | 236 | 183 | 129 |
| DLK130-100 | 100 | 145 | 89 | 77 | 46 | 52 | M12X45 | 145 | 8 | M12X45 | 4 | 13738 | 275 | 176 | 121 |
| DLK130-110 | 110 | 155 | 89 | 77 | 46 | 52 | M12X45 | 145 | 8 | M12X45 | 4 | 15111 | 278 | 160 | 114 |
| DLK130-120 | 120 | 165 | 89 | 77 | 46 | 52 | M12X45 | 145 | 10 | M12X45 | 4 | 20606 | 343 | 183 | 133 |
| DLK130-130 | 130 | 180 | 89 | 77 | 46 | 52 | M12X45 | 145 | 12 | M12X45 | 4 | 26788 | 412 | 203 | 147 |
| DLK130-140 | 140 | 190 | 98 | 84 | 51 | 59 | M12X45 | 230 | 8 | M12X45 | 4 | 26142 | 373 | 154 | 114 |
| DLK130-150 | 150 | 200 | 98 | 84 | 51 | 59 | M12X45 | 230 | 10 | M12X45 | 5 | 35016 | 467 | 180 | 135 |



DLK131 SECTION

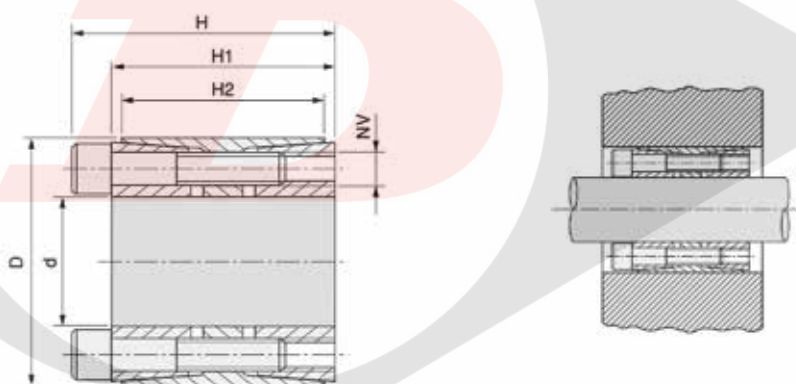
| Part No. | Dimensions | | | | | | | Tightening | | | Loosening | | Performances | | Surface Pressure | |
|------------|------------|----|----|----|----|----|----|------------|---------|---------------|-----------|---------------|--------------|---------|-------------------------|-------------------------|
| | d | D | D1 | H | H1 | H2 | H3 | NV | Tv (Nm) | No. of screws | NV | No. of screws | Mt (mm) | Ta (KN) | Pa (N/mm ²) | Pm (N/mm ²) |
| DLK131-019 | 19 | 47 | 53 | 45 | 39 | 26 | 31 | M6X20 | 17 | 4 | M6X20 | 2 | 202 | 21 | 127 | 51 |
| DLK131-020 | 20 | 47 | 53 | 45 | 39 | 26 | 31 | M6X20 | 17 | 4 | M6X20 | 2 | 213 | 21 | 121 | 51 |
| DLK131-022 | 22 | 47 | 53 | 45 | 39 | 26 | 31 | M6X20 | 17 | 4 | M6X20 | 2 | 234 | 21 | 110 | 51 |
| DLK131-024 | 24 | 50 | 56 | 45 | 39 | 26 | 31 | M6X20 | 17 | 6 | M6X20 | 3 | 384 | 32 | 151 | 73 |
| DLK131-025 | 25 | 50 | 56 | 45 | 39 | 26 | 31 | M6X20 | 17 | 6 | M6X20 | 3 | 400 | 32 | 145 | 73 |
| DLK131-028 | 28 | 55 | 61 | 45 | 39 | 26 | 31 | M6X20 | 17 | 6 | M6X20 | 3 | 448 | 32 | 129 | 66 |
| DLK131-030 | 30 | 55 | 61 | 45 | 39 | 26 | 31 | M6X20 | 17 | 6 | M6X20 | 3 | 480 | 32 | 121 | 66 |
| DLK131-032 | 32 | 60 | 66 | 45 | 39 | 26 | 31 | M6X20 | 17 | 8 | M6X20 | 4 | 683 | 43 | 151 | 81 |
| DLK131-035 | 35 | 60 | 66 | 45 | 39 | 26 | 31 | M6X20 | 17 | 8 | M6X20 | 4 | 747 | 43 | 138 | 81 |
| DLK131-038 | 38 | 65 | 71 | 45 | 39 | 26 | 31 | M6X20 | 17 | 8 | M6X20 | 4 | 811 | 43 | 127 | 74 |
| DLK131-040 | 40 | 65 | 71 | 45 | 39 | 26 | 31 | M6X20 | 17 | 8 | M6X20 | 4 | 853 | 43 | 121 | 74 |
| DLK131-042 | 42 | 75 | 81 | 55 | 47 | 30 | 36 | M8X30 | 41 | 6 | M8X30 | 3 | 1216 | 58 | 135 | 76 |
| DLK131-045 | 45 | 75 | 81 | 55 | 47 | 30 | 36 | M8X30 | 41 | 6 | M8X30 | 3 | 1302 | 58 | 126 | 76 |

TAPER BUSH LOCKING DEVICE



DLK131 SECTION continued

| Part No. | Dimensions | | | | | | | Tightening | | | Loosening | | Performances | | Surface Pressure | |
|------------|------------|-----|-----|----|----|----|----|------------|---------|---------------|-----------|---------------|--------------|---------|-------------------------|-------------------------|
| | d | D | D1 | H | H1 | H2 | H3 | NV | Tv (Nm) | No. of screws | NV | No. of screws | Mt (mm) | Ta (KN) | Pa (N/mm ²) | Pm (N/mm ²) |
| DLK131-048 | 48 | 80 | 86 | 55 | 47 | 30 | 36 | M8X30 | 41 | 6 | M8X30 | 3 | 1389 | 58 | 119 | 71 |
| DLK131-050 | 50 | 80 | 86 | 55 | 47 | 30 | 36 | M8X30 | 41 | 6 | M8X30 | 3 | 1447 | 58 | 114 | 71 |
| DLK131-055 | 55 | 85 | 91 | 55 | 47 | 30 | 36 | M8X30 | 41 | 8 | M8X30 | 4 | 2124 | 77 | 138 | 89 |
| DLK131-060 | 60 | 90 | 96 | 55 | 47 | 30 | 36 | M8X30 | 41 | 8 | M8X30 | 4 | 2317 | 77 | 127 | 84 |
| DLK131-065 | 65 | 95 | 101 | 55 | 47 | 30 | 36 | M8X30 | 41 | 8 | M8X30 | 4 | 2510 | 77 | 117 | 80 |
| DLK131-070 | 70 | 110 | 116 | 67 | 57 | 40 | 46 | M10X35 | 83 | 8 | M10X35 | 4 | 4381 | 125 | 132 | 84 |
| DLK131-075 | 75 | 115 | 121 | 72 | 62 | 40 | 46 | M10X35 | 83 | 8 | M10X35 | 4 | 4694 | 125 | 123 | 80 |
| DLK131-080 | 80 | 120 | 126 | 72 | 62 | 40 | 46 | M10X35 | 83 | 8 | M10X35 | 4 | 5007 | 125 | 115 | 77 |
| DLK131-085 | 85 | 125 | 131 | 72 | 62 | 40 | 46 | M10X35 | 83 | 10 | M10X35 | 4 | 6651 | 156 | 136 | 92 |
| DLK131-090 | 90 | 130 | 136 | 72 | 62 | 40 | 46 | M10X35 | 83 | 10 | M10X35 | 4 | 7042 | 156 | 128 | 89 |
| DLK131-095 | 95 | 135 | 141 | 72 | 62 | 40 | 46 | M10X35 | 83 | 10 | M10X35 | 4 | 7433 | 156 | 121 | 85 |
| DLK131-100 | 100 | 145 | 151 | 89 | 77 | 46 | 52 | M12X45 | 145 | 8 | M12X45 | 4 | 9104 | 182 | 117 | 81 |
| DLK131-110 | 110 | 155 | 161 | 89 | 77 | 46 | 52 | M12X45 | 145 | 8 | M12X45 | 4 | 10015 | 182 | 106 | 75 |
| DLK131-120 | 120 | 165 | 171 | 89 | 77 | 46 | 52 | M12X45 | 145 | 10 | M12X45 | 4 | 13653 | 228 | 122 | 88 |
| DLK131-130 | 130 | 180 | 186 | 89 | 77 | 46 | 52 | M12X45 | 145 | 12 | M12X45 | 4 | 17757 | 273 | 135 | 97 |
| DLK131-140 | 140 | 190 | 196 | 98 | 84 | 51 | 59 | M14X45 | 230 | 8 | M14X45 | 4 | 17328 | 248 | 102 | 75 |
| DLK131-150 | 150 | 200 | 206 | 98 | 84 | 51 | 59 | M14X45 | 230 | 10 | M14X45 | 5 | 23207 | 309 | 119 | 89 |



DLK450 SECTION

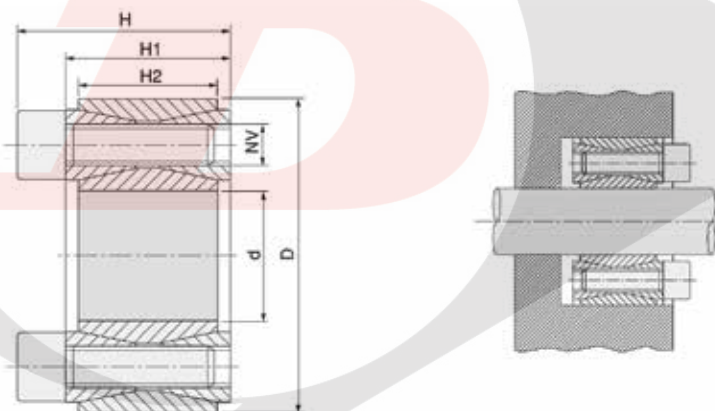
| Part No. | Dimensions | | | | | Tightening | | | Loosening | | Performances | | Surface Pressure | |
|------------|------------|----|----|----|----|------------|---------|---------------|-----------|---------------|--------------|---------|-------------------------|-------------------------|
| | d | D | H | H1 | H2 | NV | Tv (Nm) | No. of screws | NV | No. of screws | Mt (mm) | Ta (KN) | Pa (N/mm ²) | Pm (N/mm ²) |
| DLK450-025 | 25 | 55 | 46 | 40 | 32 | M6X35 | 17 | 6 | M6X35 | 3 | 799 | 64 | 314 | 107 |
| DLK450-028 | 28 | 55 | 46 | 40 | 32 | M6X35 | 17 | 6 | M6X35 | 3 | 895 | 64 | 281 | 107 |
| DLK450-030 | 30 | 55 | 46 | 40 | 32 | M6X35 | 17 | 6 | M6X35 | 3 | 959 | 64 | 262 | 107 |
| DLK450-035 | 35 | 60 | 60 | 54 | 44 | M6X45 | 17 | 7 | M6X45 | 3 | 1306 | 75 | 185 | 83 |
| DLK450-038 | 38 | 75 | 62 | 54 | 44 | M8X50 | 41 | 7 | M8X50 | 3 | 2567 | 135 | 308 | 121 |
| DLK450-040 | 40 | 75 | 62 | 54 | 44 | M8X50 | 41 | 7 | M8X50 | 3 | 2702 | 135 | 293 | 121 |
| DLK450-042 | 42 | 75 | 62 | 54 | 44 | M8X50 | 41 | 7 | M8X50 | 3 | 2837 | 135 | 279 | 121 |
| DLK450-045 | 45 | 75 | 62 | 54 | 44 | M8X50 | 41 | 7 | M8X50 | 3 | 3040 | 135 | 260 | 121 |
| DLK450-048 | 48 | 80 | 72 | 64 | 56 | M8X55 | 41 | 8 | M8X55 | 4 | 3707 | 154 | 216 | 102 |
| DLK450-050 | 50 | 80 | 72 | 64 | 56 | M8X55 | 41 | 8 | M8X55 | 4 | 3861 | 154 | 207 | 102 |
| DLK450-055 | 55 | 85 | 72 | 64 | 56 | M8X55 | 41 | 9 | M8X55 | 4 | 4779 | 174 | 212 | 108 |
| DLK450-060 | 60 | 90 | 72 | 64 | 56 | M8X55 | 41 | 10 | M8X55 | 4 | 5793 | 193 | 216 | 113 |
| DLK450-065 | 65 | 95 | 72 | 64 | 56 | M8X55 | 41 | 10 | M8X55 | 4 | 6276 | 193 | 199 | 107 |

TAPER BUSH LOCKING DEVICE



DLK450 SECTION continued

| Part No. | Dimensions | | | | | Tightening | | | Loosening | | Performances | | Surface Pressure | |
|------------|------------|-----|-----|-----|-----|------------|---------|---------------|-----------|---------------|--------------|---------|-------------------------|-------------------------|
| | d | D | H | H1 | H2 | NV | Tv (Nm) | No. of screws | NV | No. of screws | Mt (mm) | Ta (KN) | Pa (N/mm ²) | Pm (N/mm ²) |
| DLK450-070 | 70 | 110 | 88 | 78 | 70 | M10X60 | 83 | 10 | M10X60 | 4 | 10951 | 313 | 235 | 120 |
| DLK450-075 | 75 | 115 | 88 | 78 | 70 | M10X60 | 83 | 10 | M10X60 | 4 | 11733 | 313 | 220 | 115 |
| DLK450-080 | 80 | 120 | 88 | 78 | 70 | M10X60 | 83 | 11 | M10X60 | 4 | 13768 | 344 | 227 | 121 |
| DLK450-085 | 85 | 125 | 88 | 78 | 70 | M10X60 | 83 | 12 | M10X60 | 5 | 15959 | 376 | 233 | 127 |
| DLK450-090 | 90 | 130 | 88 | 78 | 70 | M10X60 | 83 | 12 | M10X60 | 5 | 16898 | 376 | 220 | 122 |
| DLK450-095 | 95 | 135 | 88 | 78 | 70 | M10X60 | 83 | 12 | M10X60 | 5 | 17837 | 376 | 208 | 117 |
| DLK450-100 | 100 | 145 | 112 | 100 | 90 | M12X80 | 145 | 11 | M12X80 | 4 | 25029 | 501 | 211 | 113 |
| DLK450-110 | 110 | 155 | 112 | 100 | 90 | M12X80 | 145 | 12 | M12X80 | 5 | 30039 | 546 | 209 | 115 |
| DLK450-120 | 120 | 165 | 112 | 100 | 90 | M12X80 | 145 | 14 | M12X80 | 6 | 38226 | 637 | 224 | 127 |
| DLK450-130 | 130 | 180 | 130 | 116 | 104 | M14X90 | 230 | 12 | M14X90 | 5 | 48270 | 743 | 201 | 117 |
| DLK450-140 | 140 | 190 | 130 | 116 | 104 | M14X90 | 230 | 14 | M14X90 | 7 | 60654 | 866 | 217 | 129 |
| DLK450-150 | 150 | 200 | 130 | 116 | 104 | M14X90 | 230 | 15 | M14X90 | 7 | 69628 | 928 | 217 | 132 |
| DLK450-160 | 160 | 210 | 130 | 116 | 104 | M14X90 | 230 | 16 | M14X90 | 7 | 79220 | 990 | 217 | 134 |
| DLK450-170 | 170 | 225 | 164 | 148 | 134 | M16X120 | 360 | 14 | M16X120 | 7 | 100851 | 1186 | 206 | 116 |
| DLK450-180 | 180 | 235 | 164 | 148 | 134 | M16X120 | 360 | 15 | M16X120 | 7 | 114414 | 1271 | 208 | 119 |
| DLK450-190 | 190 | 250 | 164 | 148 | 134 | M16X120 | 360 | 16 | M16X120 | 7 | 128814 | 1356 | 210 | 119 |
| DLK450-200 | 200 | 260 | 164 | 148 | 134 | M16X120 | 360 | 16 | M16X120 | 7 | 135594 | 1356 | 200 | 115 |
| DLK450-220 | 220 | 285 | 164 | 148 | 134 | M16X120 | 360 | 18 | M16X120 | 8 | 167805 | 1526 | 204 | 118 |



DLK200 SECTION

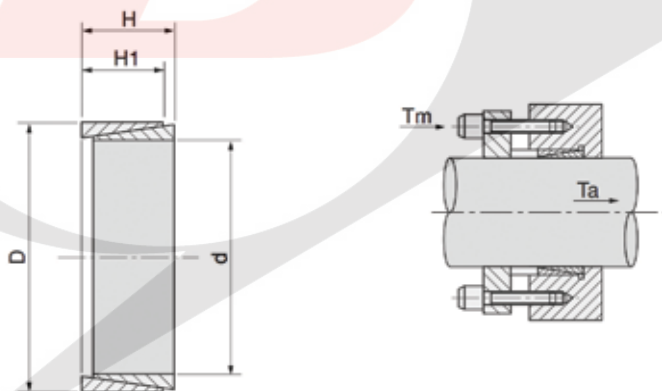
| Part No. | Dimensions | | | | | Tightening | | | Loosening | | Performances | | Surface Pressure | |
|------------|------------|----|----|----|----|------------|---------|---------------|-----------|---------------|--------------|---------|-------------------------|-------------------------|
| | d | D | H | H1 | H2 | NV | Tv (Nm) | No. of screws | NV | No. of screws | Mt (mm) | Ta (KN) | Pa (N/mm ²) | Pm (N/mm ²) |
| DLK200-019 | 19 | 47 | 26 | 20 | 17 | M6X18 | 14.9 | 8 | M8 | 2 | 298 | 31 | 286 | 116 |
| DLK200-020 | 20 | 47 | 26 | 20 | 17 | M6X18 | 14.9 | 8 | M8 | 2 | 313 | 31 | 272 | 116 |
| DLK200-022 | 22 | 47 | 26 | 20 | 17 | M6X18 | 14.9 | 8 | M8 | 2 | 345 | 31 | 247 | 116 |
| DLK200-024 | 24 | 50 | 26 | 20 | 17 | M6X18 | 14.9 | 9 | M8 | 3 | 424 | 35 | 255 | 123 |
| DLK200-025 | 25 | 50 | 26 | 20 | 17 | M6X18 | 14.9 | 9 | M8 | 3 | 441 | 35 | 245 | 123 |
| DLK200-028 | 28 | 55 | 26 | 20 | 17 | M6X18 | 14.9 | 10 | M8 | 3 | 549 | 39 | 243 | 124 |
| DLK200-030 | 30 | 55 | 26 | 20 | 17 | M6X18 | 14.9 | 10 | M8 | 3 | 588 | 39 | 227 | 124 |
| DLK200-032 | 32 | 60 | 26 | 20 | 17 | M6X18 | 14.9 | 12 | M8 | 4 | 758 | 47 | 255 | 136 |
| DLK200-035 | 35 | 60 | 26 | 20 | 17 | M6X18 | 14.9 | 12 | M8 | 4 | 822 | 47 | 233 | 136 |
| DLK200-038 | 38 | 65 | 26 | 20 | 17 | M6X18 | 14.9 | 14 | M8 | 4 | 1042 | 55 | 250 | 146 |
| DLK200-040 | 40 | 65 | 26 | 20 | 17 | M6X18 | 14.9 | 14 | M8 | 4 | 1097 | 55 | 238 | 146 |
| DLK200-042 | 42 | 75 | 32 | 24 | 20 | M8X22 | 35.0 | 12 | M10 | 4 | 1740 | 83 | 291 | 163 |
| DLK200-045 | 45 | 75 | 32 | 24 | 20 | M8X22 | 35.0 | 12 | M10 | 4 | 1864 | 83 | 271 | 163 |

TAPER BUSH LOCKING DEVICE



DLK200 SECTION continued

| Part No. | Dimensions | | | | | Tightening | | | Loosening | | Performances | | Surface Pressure | |
|------------|------------|-----|----|----|----|------------|---------|---------------|-----------|---------------|--------------|---------|-------------------------|-------------------------|
| | d | D | H | H1 | H2 | NV | Tv (Nm) | No. of screws | NV | No. of screws | Mt (mm) | Ta (KN) | Pa (N/mm ²) | Pm (N/mm ²) |
| DLK200-048 | 48 | 80 | 32 | 24 | 20 | M8X22 | 35.0 | 12 | M10 | 4 | 1988 | 83 | 254 | 153 |
| DLK200-050 | 50 | 80 | 32 | 24 | 20 | M8X22 | 35.0 | 12 | M10 | 4 | 2071 | 83 | 244 | 153 |
| DLK200-055 | 55 | 85 | 32 | 24 | 20 | M8X22 | 35.0 | 14 | M10 | 4 | 2658 | 97 | 259 | 168 |
| DLK200-060 | 60 | 90 | 32 | 24 | 20 | M8X22 | 35.0 | 14 | M10 | 4 | 2900 | 64 | 238 | 158 |
| DLK200-065 | 65 | 95 | 32 | 24 | 20 | M8X22 | 35.0 | 16 | M10 | 4 | 3587 | 110 | 250 | 171 |
| DLK200-070 | 70 | 110 | 38 | 28 | 24 | M10X25 | 69.0 | 14 | M12 | 4 | 5345 | 153 | 268 | 171 |
| DLK200-075 | 75 | 115 | 38 | 28 | 24 | M10X25 | 69.0 | 14 | M12 | 4 | 5727 | 153 | 250 | 163 |
| DLK200-080 | 80 | 120 | 38 | 28 | 24 | M10X25 | 69.0 | 14 | M12 | 4 | 6108 | 153 | 235 | 156 |
| DLK200-085 | 85 | 125 | 38 | 28 | 24 | M10X25 | 69.0 | 16 | M12 | 4 | 7417 | 175 | 252 | 172 |
| DLK200-090 | 90 | 130 | 38 | 28 | 24 | M10X25 | 69.0 | 16 | M12 | 4 | 7854 | 175 | 238 | 165 |
| DLK200-095 | 95 | 135 | 38 | 28 | 24 | M10X25 | 69.0 | 18 | M12 | 4 | 9326 | 196 | 254 | 179 |
| DLK200-100 | 100 | 145 | 45 | 33 | 26 | M12X30 | 123.3 | 14 | M14 | 4 | 11362 | 227 | 258 | 178 |
| DLK200-110 | 110 | 155 | 45 | 33 | 26 | M12X30 | 123.3 | 14 | M14 | 4 | 12498 | 227 | 234 | 166 |
| DLK200-120 | 120 | 165 | 45 | 33 | 26 | M12X30 | 123.3 | 16 | M14 | 4 | 15578 | 260 | 245 | 178 |
| DLK200-130 | 130 | 180 | 50 | 38 | 34 | M12X35 | 123.3 | 20 | M14 | 4 | 21095 | 325 | 217 | 156 |
| DLK200-140 | 140 | 190 | 50 | 38 | 34 | M12X35 | 123.3 | 22 | M14 | 4 | 24993 | 357 | 221 | 163 |
| DLK200-150 | 150 | 200 | 50 | 38 | 34 | M12X35 | 123.3 | 24 | M14 | 4 | 29217 | 390 | 225 | 169 |
| DLK200-160 | 160 | 210 | 50 | 38 | 34 | M12X35 | 123.3 | 26 | M14 | 4 | 33756 | 422 | 229 | 174 |
| DLK200-170 | 170 | 225 | 58 | 44 | 38 | M14X40 | 187.0 | 22 | M16 | 4 | 39483 | 465 | 212 | 160 |
| DLK200-180 | 180 | 235 | 58 | 44 | 38 | M14X40 | 187.0 | 24 | M16 | 4 | 45606 | 507 | 218 | 167 |
| DLK200-190 | 190 | 250 | 66 | 52 | 46 | M14X45 | 187.0 | 28 | M16 | 4 | 56163 | 591 | 199 | 152 |
| DLK200-200 | 200 | 260 | 66 | 52 | 46 | M14X45 | 187.0 | 30 | M16 | 4 | 63342 | 633 | 203 | 156 |



DLK300 SECTION

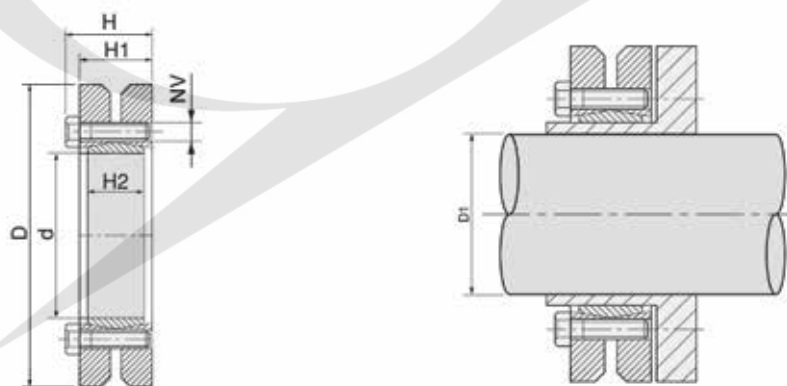
| Part No. | Dimensions | | | | Performances | | | Surface Pressure | |
|------------|------------|----|-----|-----|--------------|---------|---------|-------------------------|-------------------------|
| | d | D | H | H1 | Mt (mm) | Ta (KN) | Tm (KN) | Pa (N/mm ²) | Pm (N/mm ²) |
| DLK300-008 | 8 | 11 | 4.5 | 3.7 | 4.2 | 1.06 | 5.0 | 100 | 70 |
| DLK300-009 | 9 | 12 | 4.5 | 3.7 | 5.8 | 1.29 | 13.3 | 100 | 79 |
| DLK300-010 | 10 | 13 | 4.5 | 3.7 | 7.6 | 1.53 | 14.4 | 100 | 86 |
| DLK300-012 | 12 | 15 | 4.5 | 3.7 | 9.9 | 1.65 | 14.5 | 100 | 80 |
| DLK300-014 | 14 | 18 | 6.3 | 5.3 | 18.9 | 2.70 | 23.8 | 100 | 77 |
| DLK300-015 | 15 | 19 | 6.3 | 5.3 | 22.1 | 2.94 | 24.3 | 100 | 79 |
| DLK300-016 | 16 | 20 | 6.3 | 5.3 | 25.4 | 3.18 | 24.5 | 100 | 81 |
| DLK300-018 | 18 | 22 | 6.3 | 5.3 | 31.8 | 3.53 | 25.3 | 100 | 82 |
| DLK300-019 | 19 | 24 | 6.3 | 5.3 | 35.8 | 3.76 | 29.7 | 100 | 80 |
| DLK300-020 | 20 | 25 | 6.3 | 5.3 | 38.8 | 3.88 | 30.1 | 100 | 79 |

TAPER BUSH LOCKING DEVICE



DLK300 SECTION continued

| Part No. | Dimensions | | | | Performances | | | Surface Pressure | |
|------------|------------|-----|------|------|--------------|---------|---------|-------------------------|-------------------------|
| | d | D | H | H1 | Mt (mm) | Ta (KN) | Tm (KN) | Pa (N/mm ²) | Pm (N/mm ²) |
| DLK300-022 | 22 | 26 | 6.3 | 5.3 | 47.9 | 4.35 | 28.9 | 100 | 86 |
| DLK300-024 | 24 | 28 | 6.3 | 5.3 | 56.4 | 4.70 | 30.0 | 100 | 86 |
| DLK300-025 | 25 | 30 | 6.3 | 5.3 | 61.7 | 4.94 | 32.4 | 100 | 84 |
| DLK300-028 | 28 | 32 | 6.3 | 5.3 | 77.4 | 5.53 | 32.6 | 100 | 88 |
| DLK300-030 | 30 | 35 | 6.3 | 5.3 | 88.2 | 5.88 | 35.5 | 100 | 86 |
| DLK300-032 | 32 | 36 | 6.3 | 5.3 | 100.0 | 6.23 | 36.7 | 100 | 88 |
| DLK300-035 | 35 | 40 | 7.0 | 6.0 | 136.0 | 7.76 | 45.7 | 100 | 88 |
| DLK300-038 | 38 | 44 | 7.0 | 6.0 | 161.0 | 8.47 | 49.7 | 100 | 87 |
| DLK300-040 | 40 | 45 | 8.0 | 6.6 | 195.0 | 9.80 | 58.8 | 100 | 89 |
| DLK300-042 | 42 | 48 | 8.0 | 6.6 | 215.0 | 10.20 | 62.6 | 100 | 87 |
| DLK300-045 | 45 | 52 | 10.0 | 8.6 | 323.0 | 14.30 | 92.2 | 100 | 87 |
| DLK300-048 | 48 | 55 | 10.0 | 8.6 | 367.0 | 15.30 | 94.6 | 100 | 88 |
| DLK300-050 | 50 | 57 | 10.0 | 8.6 | 397.0 | 15.90 | 96.5 | 100 | 88 |
| DLK300-055 | 55 | 62 | 10.0 | 8.6 | 479.0 | 17.40 | 101.8 | 100 | 88 |
| DLK300-060 | 60 | 68 | 12.0 | 10.4 | 691.0 | 23.00 | 133.4 | 100 | 88 |
| DLK300-065 | 65 | 73 | 12.0 | 10.4 | 814.0 | 25.00 | 140.4 | 100 | 89 |
| DLK300-070 | 70 | 79 | 14.0 | 12.2 | 1107.0 | 31.60 | 176.0 | 100 | 89 |
| DLK300-075 | 75 | 84 | 14.0 | 12.2 | 1266.0 | 33.80 | 189.6 | 100 | 89 |
| DLK300-080 | 80 | 91 | 17.0 | 15.0 | 1769.0 | 44.20 | 251.0 | 100 | 89 |
| DLK300-090 | 90 | 101 | 17.0 | 15.0 | 2244.0 | 49.90 | 272.4 | 100 | 89 |
| DLK300-100 | 100 | 114 | 21.0 | 18.7 | 3452.0 | 69.00 | 377.7 | 100 | 89 |
| DLK300-110 | 110 | 124 | 21.0 | 18.7 | 4178.0 | 76.00 | 415.0 | 100 | 89 |
| DLK300-120 | 120 | 134 | 21.0 | 18.7 | 4967.0 | 82.80 | 440.2 | 100 | 89 |
| DLK300-130 | 130 | 148 | 28.0 | 25.3 | 7896.0 | 121.00 | 654.2 | 100 | 89 |
| DLK300-140 | 140 | 158 | 28.0 | 25.3 | 9146.0 | 131.00 | 689.0 | 100 | 89 |
| DLK300-150 | 150 | 168 | 28.0 | 25.3 | 10505.0 | 140.00 | 727.5 | 100 | 89 |



DLK603 SECTION

| Part No. | Dimensions | | | | | | Tightening | | | Performances | | Surface Pressure |
|------------|------------|----|----|------|------|----|------------|---------|---------------|--------------|---------|-------------------------|
| | d | D | D1 | H | H1 | H2 | NV | Tv (Nm) | No. of screwa | Mt (Nm) | Ta (Kn) | Pa (N/mm ²) |
| DLK603-024 | 24 | 50 | 19 | 23.0 | 19.5 | 14 | M5X18 | 4 | 6 | 216 | 23.0 | 272 |
| | | | 20 | | | | | | | 265 | 27.0 | |
| | | | 21 | | | | | | | 314 | 30.0 | |
| DLK603-030 | 30 | 60 | 24 | 25.0 | 21.5 | 16 | M5X18 | 4 | 7 | 372 | 31.0 | 221 |
| | | | 25 | | | | | | | 421 | 34.0 | |
| | | | 26 | | | | | | | 461 | 36.0 | |

TAPER BUSH LOCKING DEVICE



DLK603 SECTION

| Part No. | Dimensions | | | | | | Tightening | | | Performances | | Surface Pressure |
|------------|------------|-----|-----|------|------|----|------------|---------|---------------|--------------|---------|------------------|
| | d | D | D1 | H | H1 | H2 | NV | Tv (Nm) | No. of screws | Mt (Nm) | Ta (Kn) | Pa (N/mm²) |
| DLK603-036 | 36 | 72 | 26 | 27.5 | 23.5 | 18 | M6X20 | 12 | 5 | 471 | 36.3 | 292 |
| | | | 28 | | | | | | | 550 | 39.3 | |
| | | | 30 | | | | | | | 713 | 47.5 | |
| DLK603-044 | 44 | 80 | 32 | 29.5 | 25.5 | 20 | M6X20 | 12 | 7 | 925 | 57.8 | 301 |
| | | | 35 | | | | | | | 1175 | 67.1 | |
| | | | 36 | | | | | | | 1275 | 70.8 | |
| DLK603-050 | 50 | 90 | 38 | 31.5 | 27.5 | 22 | M6X25 | 12 | 8 | 1313 | 69.1 | 275 |
| | | | 40 | | | | | | | 1638 | 81.9 | |
| | | | 42 | | | | | | | 1925 | 91.7 | |
| DLK603-055 | 55 | 100 | 42 | 34.5 | 30.5 | 23 | M6X25 | 12 | 8 | 1450 | 69.0 | 239 |
| | | | 45 | | | | | | | 1900 | 84.4 | |
| | | | 48 | | | | | | | 2350 | 97.9 | |
| DLK603-062 | 62 | 110 | 48 | 34.5 | 30.5 | 23 | M6X25 | 12 | 10 | 2775 | 116.0 | 265 |
| | | | 50 | | | | | | | 3275 | 131.0 | |
| | | | 52 | | | | | | | 3613 | 139.0 | |
| DLK603-068 | 68 | 115 | 50 | 34.5 | 30.5 | 23 | M6X25 | 12 | 10 | 2500 | 100.0 | 242 |
| | | | 55 | | | | | | | 3125 | 114.0 | |
| | | | 60 | | | | | | | 3938 | 131.0 | |
| DLK603-075 | 75 | 138 | 55 | 37.8 | 32.5 | 25 | M8X30 | 30 | 7 | 3125 | 114.0 | 259 |
| | | | 60 | | | | | | | 4000 | 133.0 | |
| | | | 65 | | | | | | | 4938 | 152.0 | |
| DLK603X80 | 80 | 145 | 60 | 37.8 | 32.5 | 25 | M8X30 | 30 | 7 | 4000 | 133.0 | 243 |
| | | | 65 | | | | | | | 4875 | 150.0 | |
| | | | 70 | | | | | | | 5750 | 164.0 | |
| DLK603-090 | 90 | 155 | 65 | 44.3 | 39.0 | 30 | M8X35 | 30 | 10 | 5938 | 183.0 | 257 |
| | | | 70 | | | | | | | 7500 | 214.0 | |
| | | | 75 | | | | | | | 9063 | 242.0 | |
| DLK603-100 | 100 | 170 | 70 | 49.3 | 44.0 | 34 | M8X35 | 30 | 12 | 8625 | 246.0 | 245 |
| | | | 75 | | | | | | | 9375 | 250.0 | |
| | | | 80 | | | | | | | 11250 | 281.0 | |
| DLK603-110 | 110 | 185 | 75 | 56.4 | 50.0 | 39 | M10X40 | 59 | 9 | 9000 | 240.0 | 232 |
| | | | 80 | | | | | | | 11250 | 281.0 | |
| | | | 85 | | | | | | | 13500 | 318.0 | |
| DLK603-125 | 125 | 215 | 85 | 60.4 | 54.0 | 42 | M10X40 | 59 | 12 | 13750 | 324.0 | 253 |
| | | | 90 | | | | | | | 16250 | 361.0 | |
| | | | 95 | | | | | | | 18750 | 395.0 | |
| DLK603-140 | 140 | 230 | 95 | 68.0 | 60.5 | 46 | M12X45 | 100 | 10 | 18875 | 397.0 | 251 |
| | | | 100 | | | | | | | 22000 | 440.0 | |
| | | | 105 | | | | | | | 25125 | 479.0 | |
| DLK603-155 | 155 | 265 | 105 | 72.0 | 64.5 | 50 | M12X50 | 100 | 12 | 27500 | 524.0 | 250 |
| | | | 110 | | | | | | | 31250 | 568.0 | |
| | | | 115 | | | | | | | 35000 | 609.0 | |
| DLK603-165 | 165 | 290 | 115 | 81.0 | 71.0 | 56 | M16X55 | 250 | 8 | 38750 | 674.0 | 263 |
| | | | 120 | | | | | | | 43750 | 729.0 | |
| | | | 125 | | | | | | | 48750 | 780.0 | |