



## SPROCKETS & PLATE WHEELS



English



Español



Italiano



Deutsch



Français



Nederlands



Polskie

### Pilot Bore Sprockets Steel

171

Piloto llevaba piñones acero • Pignoni in acciaio foro pilota  
 Pilot trug Kettenräder Stahl • Préalésage pignons en acier  
 Pilot boring tandkransen staal • Pilot lufie stalowe koła zębate

### Pilot Bore Sprockets Cast Iron

185

Piloto llevaba piñones de hierro fundido • Foro pilota pignoni in ghisa  
 Pilot trug Kettenräder aus Gusseisen • Préalésage pignons en fonte  
 Pilot boring kettengwielen gietijzer • zębatkami lufie Pilot żeliwo

### Pre Bored Sprockets

189

Pre aburrido piñones • Pre pignoni • Vor Langeweile Kettenräder  
 Pré ennuyé pignons • Pre verveeld tandwielen • Pre znudzone zębatek

### Stainless Steel Sprockets

200

Piñones de acero inoxidable • Pignoni in acciaio inox • Edelstahl-Kettenräder  
 Pignons en acier inoxydable • Roestvrij stalen tandwielen • koła zębate ze stali nierdzewnej

### Double Simplex Sprockets

202

Doble ruedas dentadas simplex • Doppie ruote dentate simplex  
 Doppelte simplex Kettenräder • Doubles pignons simplex • Dubbele simplex  
 tandwielen • Podwójne koła łańcuchowe simplex

### Taper Bore Sprockets

204

Agujero cónico piñones • Cono del foro pignoni • Konische Bohrung Kettenräder  
 Alésage conique pignons • Taper boring tandwielen • koła zębate stożkowe o lufie

### Idler Sprockets

209

Piñones de rueda locos • Pignoni folli • Spannrolle Kettenräder  
 Pignons tendeurs • Idler tandwielen • Koła napinające

SPROCKETS PILOT BORE



**SPROCKETS - PILOT BORE DIN8187-ISO/R 606**

**Description**

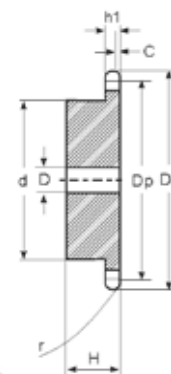
Pilot bore sprockets are manufactured to internationally recognised standards. DIN8187-ISO/R 606 and are produced from C45 steel. They have a black phosphated finish to increase corrosion resistance so extending the sprockets working life. Conveniently stocked with a minimum pilot bore (dimension 'D') they can be machined to suit any suitable mounting requirement. Available from stock to suit British standard roller chains from 04B (6mm pitch) up to 32B (2" pitch) sizes in Simplex (single), Duplex (double) & Triplex (treble) rows of teeth. A full range of plate wheels are also available.

**04B Chain**  
**6mm x 2.8mm**

Pitch: 6mm  
Internal width: 2.8mm  
Roller dia: 4mm

**Sprocket**

Tooth radius r: 6mm  
Radius width C: 0.7mm  
Tooth width h1: 2.6mm



**04B-1**

Teeth	De	Dp	Simplex			
			Part No.	d	D	H
8	18.00	15.67	PB104B/08	9.8	5	10
9	19.90	17.54	PB104B/09	11.5	5	10
10	21.70	19.42	PB104B/10	13.0	6	10
11	23.60	21.30	PB104B/11	14.0	6	10
12	25.40	23.18	PB104B/12	16.0	6	10
13	27.30	25.05	PB104B/13	18.0	8	10
14	29.20	26.96	PB104B/14	20.0	8	10
15	31.10	28.86	PB104B/15	20.0	8	10
16	33.00	30.76	PB104B/16	20.0	8	13
17	35.00	32.65	PB104B/17	20.0	8	13
18	36.90	34.55	PB104B/18	20.0	8	13
19	38.80	36.44	PB104B/19	20.0	8	13
20	40.70	38.34	PB104B/20	20.0	8	13
21	42.60	40.25	PB104B/21	25.0	8	13
22	44.50	42.16	PB104B/22	25.0	8	13
23	46.40	44.06	PB104B/23	25.0	8	13
24	48.30	45.96	PB104B/24	25.0	8	13
25	50.20	47.87	PB104B/25	25.0	8	13
26	52.10	49.77	PB104B/26	30.0	8	15
27	54.00	51.67	PB104B/27	30.0	8	15
28	55.90	53.58	PB104B/28	30.0	8	15

SPROCKETS PILOT BORE



04B-1 continued

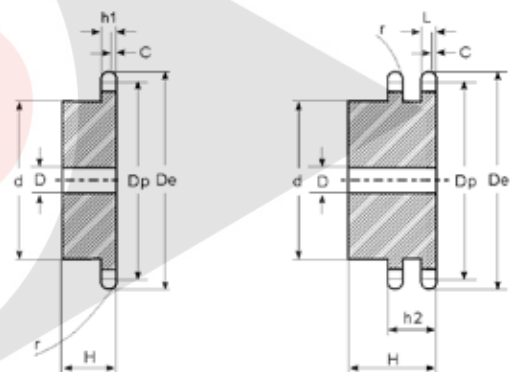
Teeth	De	Dp	Simplex			
			Part No.	d	D	H
29	57.80	55.50	PB104B/29	30.0	8	15
30	59.80	57.42	PB104B/30	30.0	8	15
31	61.70	59.31	PB104B/31	30.0	8	15
32	63.60	61.21	PB104B/32	30.0	8	15
33	65.50	63.11	PB104B/33	30.0	8	15
34	67.40	65.02	PB104B/34	30.0	8	15
35	69.30	66.93	PB104B/35	30.0	8	15
36	71.20	68.84	PB104B/36	30.0	8	15
37	73.10	70.75	PB104B/37	30.0	8	15
38	75.00	72.66	PB104B/38	30.0	8	15
39	76.90	74.56	PB104B/39	30.0	8	15
40	78.90	76.47	PB104B/40	30.0	8	15
45	88.50	86.01	PB104B/45	40.0	10	18
50	98.00	95.55	PB104B/50	50.0	12	20
57	111.40	108.93	PB104B/57	50.0	12	20

05B Chain  
8mm x 3mm

Pitch: 8mm  
Internal width: 3mm  
Roller dia: 5mm

Sprocket

Tooth radius r: 8mm  
Radius width C: 1mm  
Tooth width h1: 2.8mm  
Tooth width L: 2.7mm  
Tooth width h: 2:8.3mm



05B-1

05B-2

Teeth	De	Dp	Simplex				Duplex			
			Part No.	d	D	H	Part No.	d	D	H
8	24.00	20.90	PB105B/08	13	6	12	PB205B/08	12	8	18
9	26.60	23.39	PB105B/09	15	6	12	PB205B/09	15	8	18
10	29.20	25.89	PB105B/10	17	8	12	PB205B/10	17	8	18
11	31.70	28.39	PB105B/11	18	8	13	PB205B/11	19	10	18
12	34.20	30.91	PB105B/12	20	8	13	PB205B/12	21	10	18
13	36.70	33.42	PB105B/13	23	8	13	PB205B/13	24	10	18
14	39.20	35.95	PB105B/14	25	8	13	PB205B/14	26	10	18
15	41.70	38.48	PB105B/15	28	8	13	PB205B/15	29	10	18
16	44.30	41.01	PB105B/16	30	8	14	PB205B/16	32	10	20
17	46.80	43.53	PB105B/17	30	8	14	PB205B/17	34	10	20
18	49.30	46.07	PB105B/18	30	8	14	PB205B/18	37	10	20
19	51.90	48.61	PB105B/19	30	8	14	PB205B/19	39	10	20

SPROCKETS PILOT BORE



05B-1 continued

05B-2 continued

Teeth	De	Dp	Simplex				Duplex			
			Part No.	d	D	H	Part No.	d	D	H
20	54.40	51.14	PB105B/20	30	8	14	PB205B/20	40	10	20
21	57.00	53.67	PB105B/21	35	8	14	PB205B/21	40	10	20
22	59.50	56.21	PB105B/22	35	8	14	PB205B/22	40	10	20
23	62.00	57.75	PB105B/23	35	8	14	PB205B/23	40	10	20
24	64.60	61.29	PB105B/24	35	8	14	PB205B/24	40	10	20
25	67.50	63.83	PB105B/25	35	8	14	PB205B/25	40	10	20
26	69.50	66.37	PB105B/26	40	10	16	PB205B/26	50	12	22
27	72.20	68.91	PB105B/27	40	10	16	PB205B/27	50	12	22
28	74.80	71.45	PB105B/28	40	10	16	PB205B/28	50	12	22
29	77.30	73.99	PB105B/29	40	10	16	PB205B/29	50	12	22
30	79.80	76.53	PB105B/30	40	10	16	PB205B/30	50	12	22
31	82.40	79.08	PB105B/31	40	10	16	PB205B/31	60	12	22
32	84.90	81.61	PB105B/32	40	10	16	PB205B/32	60	12	22
33	87.50	84.16	PB105B/33	40	10	16	PB205B/33	60	12	22
34	90.00	86.70	PB105B/34	40	10	16	PB205B/34	60	12	22
35	92.50	89.24	PB105B/35	40	10	16	PB205B/35	60	12	22
36	95.00	91.79	PB105B/36	40	10	16	PB205B/36	60	12	22
37	97.60	94.33	PB105B/37	40	10	16	PB205B/37	60	12	22
38	100.20	96.88	PB105B/38	40	10	16	PB205B/38	60	12	22
39	102.70	99.42	PB105B/39	40	10	16	PB205B/39	60	12	22
40	105.20	101.97	PB105B/40	40	10	16	PB205B/40	60	12	22
45	118.00	114.69	PB105B/45	60	20	20				
50	130.70	127.41	PB105B/50	60	20	20				
57	148.60	145.22	PB105B/57	80	20	20				
76	197.70	193.59	PB105B/76	80	25	25				



**SPROCKETS PILOT BORE**

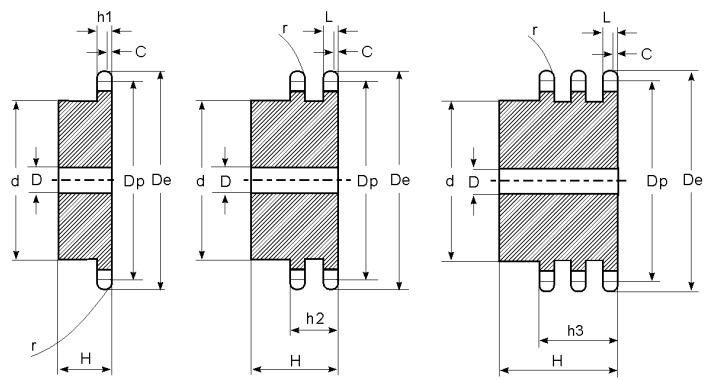


**06B Chain  
3/8" x 7/32"**

Pitch: 9.525mm  
Internal width: 5.72mm  
Roller dia: 6.35mm

**Sprocket**

Tooth radius: 10mm  
Radius width C: 1mm  
Tooth width h1: 5.3mm  
Tooth width L: 5.2mm  
Tooth width h2: 15.4mm  
Tooth width h3: 25.6mm



**06B-1 (3SR)**

**06B-2 (3DR)**

**06B-3 (3TR)**

Teeth	De	Dp	Simplex			Duplex			Triplex					
			Part No.	d	D	H	Part No.	d	D	H	Part No.	d	D	H
8	28.00	24.89	3SR08	15	8	22	3DR08	15	6	22	3TR08	15	6	32
9	31.00	27.85	3SR09	18	8	22	3DR09	18	8	22	3TR09	18	8	32
10	34.00	30.82	3SR10	20	8	22	3DR10	20	8	22	3TR10	20	10	32
11	37.00	33.80	3SR11	22	8	25	3DR11	22	10	25	3TR11	22	10	35
12	40.00	36.80	3SR12	25	8	25	3DR12	25	10	25	3TR12	25	10	35
13	43.00	39.80	3SR13	28	10	25	3DR13	28	10	25	3TR13	28	10	35
14	46.30	42.80	3SR14	31	10	25	3DR14	31	10	25	3TR14	31	12	35
15	49.30	45.81	3SR15	34	10	25	3DR15	34	10	25	3TR15	34	12	35
16	52.30	48.82	3SR16	37	10	28	3DR16	37	12	30	3TR16	37	12	35
17	55.30	51.83	3SR17	40	10	28	3DR17	40	12	30	3TR17	40	12	35
18	58.30	54.85	3SR18	43	10	28	3DR18	43	12	30	3TR18	43	12	35
19	61.30	57.87	3SR19	45	10	28	3DR19	46	12	30	3TR19	46	12	35
20	64.30	60.89	3SR20	46	10	28	3DR20	49	12	30	3TR20	49	12	35
21	68.00	63.91	3SR21	48	12	28	3DR21	52	12	30	3TR21	52	14	40
22	71.00	66.93	3SR22	50	12	28	3DR22	55	12	30	3TR22	55	14	40
23	73.50	69.95	3SR23	52	12	28	3DR23	58	12	30	3TR23	58	14	40
24	77.00	72.97	3SR24	54	12	28	3DR24	61	12	30	3TR24	61	14	40
25	80.00	76.00	3SR25	57	12	28	3DR25	64	12	30	3TR25	64	14	40
26	83.00	79.02	3SR26	60	12	28	3DR26	67	12	30	3TR26	67	14	40
27	86.00	82.04	3SR27	60	12	28	3DR27	70	12	30	3TR27	70	14	40
28	89.00	85.07	3SR28	60	12	28	3DR28	73	12	30	3TR28	73	14	40
29	92.00	88.09	3SR29	60	12	28	3DR29	76	12	30	3TR29	76	14	40
30	94.70	91.12	3SR30	60	12	28	3DR30	79	12	30	3TR30	79	14	40
31	98.30	94.15	3SR31	65	14	30	3DR31	80	16	30	3TR31	80	116	40
32	101.30	97.17	3SR32	65	14	30	3DR32	80	16	30	3TR32	80	16	40
33	104.30	100.20	3SR33	65	14	30	3DR33	80	16	30	3TR33	80	16	40
34	107.30	103.23	3SR34	65	14	30	3DR34	80	16	30	3TR34	85	16	40
35	110.40	106.26	3SR35	65	14	30	3DR35	80	16	30	3TR35	85	16	40
36	113.40	109.29	3SR36	70	16	30	3DR36	90	16	30	3TR36	90	16	40
37	116.40	112.32	3SR37	70	16	30	3DR37	90	16	30	3TR37	90	16	40
38	119.50	115.34	3SR38	70	16	30	3DR38	90	16	30	3TR38	90	16	40
39	122.50	118.37	3SR39	70	16	30	3DR39	90	16	30	3TR39	90	16	40
40	125.50	121.40	3SR40	70	16	30	3DR40	90	16	30	3TR40	90	16	40

Plate wheels are also available part no. 3SR08PW etc.

SPROCKETS PILOT BORE

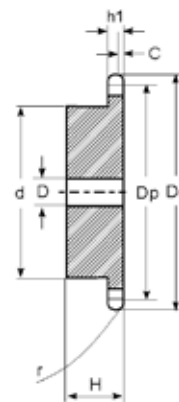


**081 Chain**  
1/2" x 1/8"

Pitch: 12.7mm  
Internal width: 3.3mm  
Roller dia: 7.75mm

**Sprocket**

Tooth radius: 13mm  
Radius width C: 1mm  
Tooth width h1: 3mm



081-1

Teeth	De	Dp	Simplex			
			Part No.	d	D	H
8	37.20	33.18	PB081/08	21	8	14
9	41.50	37.13	PB081/09	25	8	14
10	46.20	41.10	PB081/10	28	8	14
11	49.60	45.07	PB081/11	31	8	16
12	53.90	49.07	PB081/12	35	8	16
13	58.40	53.06	PB081/13	39	8	16
14	62.80	57.07	PB081/14	43	8	16
15	66.80	61.09	PB081/15	47	8	16
16	70.90	65.10	PB081/16	50	10	18
17	74.90	69.11	PB081/17	50	10	18
18	78.90	73.14	PB081/18	50	10	18
19	82.90	77.16	PB081/19	50	10	18
20	86.90	81.19	PB081/20	50	10	18
21	91.00	85.22	PB081/21	60	12	20
22	95.00	89.24	PB081/22	60	12	20
23	99.00	93.27	PB081/23	60	12	20
24	103.00	97.29	PB081/24	60	12	20
25	107.10	101.33	PB081/25	60	12	20
26	111.20	105.36	PB081/26	70	16	20
27	115.40	109.40	PB081/27	70	16	20
28	119.40	113.42	PB081/28	70	16	20
29	123.40	117.46	PB081/29	70	16	20
30	127.50	121.50	PB081/30	70	16	20
31	131.50	125.54	PB081/31	70	16	20
32	135.50	129.56	PB081/32	70	16	20
33	139.60	133.60	PB081/33	70	16	20
34	143.60	137.64	PB081/34	70	16	20
35	147.60	141.68	PB081/35	70	16	20
36	151.70	145.72	PB081/36	70	16	25
37	155.70	149.76	PB081/37	70	16	25
38	159.80	153.80	PB081/38	70	16	25
39	163.80	157.83	PB081/39	70	16	25
40	167.80	161.87	PB081/40	70	16	25

**SPROCKETS PILOT BORE**

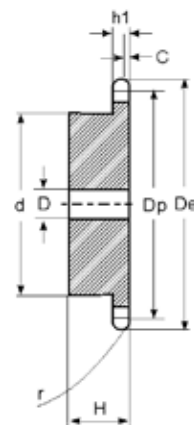


**083 Chain**  
**1/2" x 3/16"**

Pitch: 12.7mm  
Internal width: 4.88mm  
Roller dia: 7.75mm

**Sprocket**

Tooth radius: 13mm  
Radius width C: 1.3mm  
Tooth width h1: 4.5mm



**083-1**

Teeth	De	Dp	Simplex			
			Part No.	d	D	H
8	37.20	33.18	PB083/08	21	8	14
9	41.50	37.13	PB083/09	25	8	14
10	46.20	41.10	PB083/10	28	8	14
11	49.60	45.07	PB083/11	31	8	16
12	53.90	49.07	PB083/12	35	8	16
13	58.40	53.06	PB083/13	39	8	16
14	62.80	57.07	PB083/14	43	8	16
15	66.80	61.09	PB083/15	47	8	16
16	70.90	65.10	PB083/16	50	10	18
17	74.90	69.11	PB083/17	50	10	18
18	78.90	73.14	PB083/18	50	10	18
19	82.90	77.16	PB083/19	50	10	18
20	86.90	81.19	PB083/20	50	10	18
21	91.00	85.22	PB083/21	60	12	20
22	95.00	89.24	PB083/22	60	12	20
23	99.00	93.27	PB083/23	60	12	20
24	103.00	97.29	PB083/24	60	12	20
25	107.10	101.33	PB083/25	60	12	20
26	111.20	105.36	PB083/26	70	16	20
27	115.40	109.40	PB083/27	70	16	20
28	119.40	113.42	PB083/28	70	16	20
29	123.40	117.46	PB083/29	70	16	20
30	127.50	121.50	PB083/30	70	16	20
31	131.50	125.54	PB083/31	70	16	20
32	135.50	129.56	PB083/32	70	16	20
33	139.60	133.60	PB083/33	70	16	20
34	143.60	137.64	PB083/34	70	16	20
35	147.60	141.68	PB083/35	70	16	20
36	151.70	145.72	PB083/36	70	16	25
37	155.70	149.76	PB083/37	70	16	25
38	159.80	153.80	PB083/38	70	16	25
39	163.80	157.83	PB083/39	70	16	25
40	167.80	161.87	PB083/40	70	16	25

**SPROCKETS PILOT BORE**

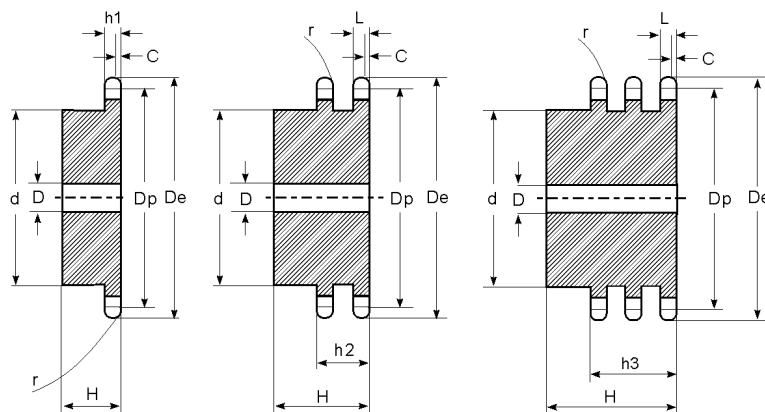


**08B Chain**  
1/2" x 5/16"

Pitch: 12.7mm  
Internal width: 7.75mm  
Roller dia: 8.51mm

**Sprocket**

Tooth radius r: 13mm  
Radius width C: 1.3mm  
Tooth width h1: 7.2mm  
Tooth width L: 7mm  
Tooth width h2: 21mm  
Tooth width h3: 34.9mm



**08B-1 (4SR)**

**08B-2 (4DR)**

**08B-3 (4TR)**

Teeth	De	Dp	Simplex			Duplex			Triplex					
			Part No.	d	D	H	Part No.	d	D	H	Part No.	d	D	H
8	37.2	33.2	4SR08	20	10	22	4DR08	20	10	32	4TR08	20	10	46
9	41.0	37.1	4SR09	24	10	22	4DR09	24	10	32	4TR09	24	12	46
10	45.2	41.1	4SR10	26	10	22	4DR10	28	10	32	4TR10	28	12	46
11	48.7	45.1	4SR11	29	10	25	4DR11	32	12	35	4TR11	32	14	50
12	53.0	49.1	4SR12	33	10	25	4DR12	35	12	35	4TR12	35	14	50
13	57.4	53.1	4SR13	37	10	25	4DR13	38	12	35	4TR13	38	14	50
14	61.8	57.1	4SR14	41	10	25	4DR14	42	12	35	4TR14	42	14	50
15	65.5	61.1	4SR15	45	10	25	4DR15	46	12	35	4TR15	46	14	50
16	69.5	65.1	4SR16	50	12	28	4DR16	50	14	35	4TR16	50	16	50
17	73.6	69.1	4SR17	52	12	28	4DR17	54	14	35	4TR17	54	16	50
18	77.8	73.1	4SR18	56	12	28	4DR18	58	14	35	4TR18	58	16	50
19	81.7	77.2	4SR19	60	12	28	4DR19	62	14	35	4TR19	62	16	50
20	85.8	81.2	4SR20	64	12	28	4DR20	66	14	35	4TR20	66	16	50
21	89.7	85.2	4SR21	68	12	28	4DR21	70	16	40	4TR21	70	20	55
22	93.8	89.2	4SR22	70	12	28	4DR22	70	16	40	4TR22	70	20	55
23	98.2	93.3	4SR23	70	14	28	4DR23	70	16	40	4TR23	70	20	55
24	101.8	97.3	4SR24	70	14	28	4DR24	75	16	40	4TR24	75	20	55
25	105.8	101.3	4SR25	70	14	28	4DR25	80	16	40	4TR25	80	20	55
26	110.0	105.4	4SR26	70	16	28	4DR26	85	20	40	4TR26	85	20	55
27	114.00	109.40	4SR27	70	16	28	4DR27	85	20	40	4TR27	85	20	55
28	118.00	113.42	4SR28	70	16	28	4DR28	90	20	40	4TR28	90	20	55
29	122.00	117.46	4SR29	80	16	28	4DR29	95	20	40	4TR29	95	20	55
30	126.10	121.50	4SR30	80	16	28	4DR30	100	20	40	4TR30	100	20	55
31	130.20	125.54	4SR31	90	16	30	4DR31	100	20	40	4TR31	110	20	55
32	134.30	129.56	4SR32	90	16	30	4DR32	100	20	40	4TR32	110	20	55
33	138.40	133.60	4SR33	90	16	30	4DR33	100	20	40	4TR33	110	20	55
34	142.60	137.64	4SR34	90	16	30	4DR34	100	20	40	4TR34	110	20	55
35	146.70	141.68	4SR35	90	16	30	4DR35	100	20	40	4TR35	110	20	55
36	151.00	145.72	4SR36	90	16	30	4DR36	110	20	40	4TR36	120	25	55
37	154.60	149.76	4SR37	90	16	30	4DR37	110	20	40	4TR37	120	25	55
38	158.60	153.80	4SR38	90	16	30	4DR38	110	20	40	4TR38	120	25	55
39	162.70	157.83	4SR39	90	16	30	4DR39	110	20	40	4TR39	120	25	55
40	166.80	161.87	4SR40	90	16	30	4DR40	110	20	40	4TR40	120	25	55



**SPROCKETS PILOT BORE**

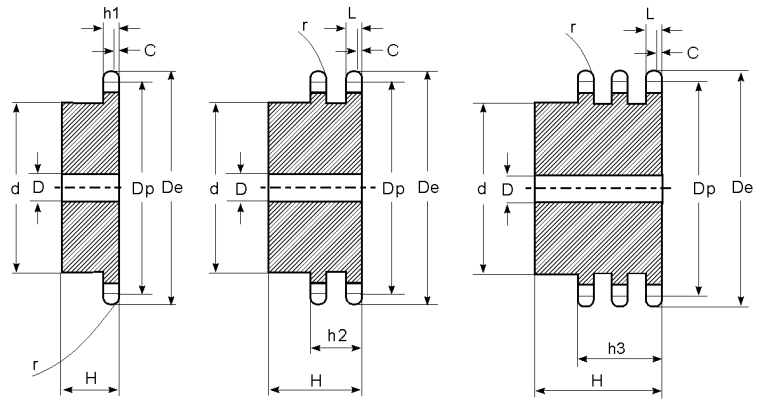


**10B Chain**  
**5/8" x 3/8"**

Pitch: 15.875mm  
Internal width: 9.65mm  
Roller dia: 10.16mm

**Sprocket**

Tooth radius r: 16mm  
Radius width C: 1.6mm  
Tooth width h1: 9.1mm  
Tooth width L: 9mm  
Tooth width h2: 25.5mm  
Tooth width h3: 42.1mm



**10B-1 (5SR)**

**10B-2 (5DR)**

**10B3 (5TR)**

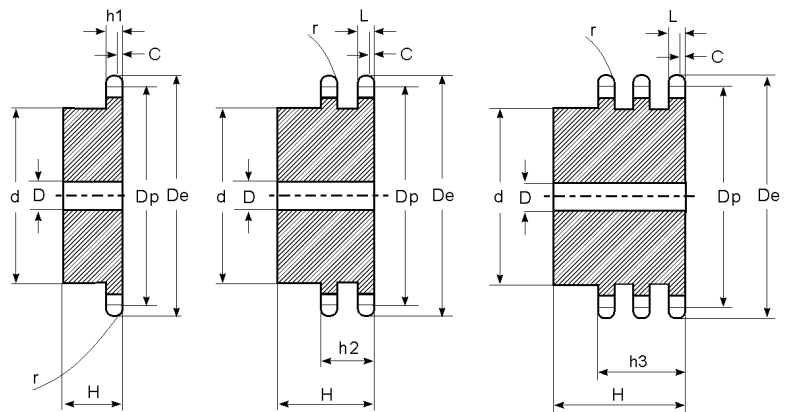
Teeth	De	Dp	Simplex			Duplex			Triplex					
			Part No.	d	D	H	Part No.	d	D	H	Part No.	d	D	H
8	47.00	41.48	5SR08	25	10	25	5DR08	25	12	40	5TR08	25	12	55
9	52.60	46.42	5SR09	30	10	25	5DR09	30	12	40	5TR09	30	12	55
10	57.50	51.37	5SR10	35	10	25	5DR10	35	12	40	5TR10	35	16	55
11	63.00	56.34	5SR11	37	12	30	5DR11	39	14	40	5TR11	39	16	55
12	68.00	61.34	5SR12	42	12	30	5DR12	44	14	40	5TR12	44	16	55
13	73.00	66.32	5SR13	47	12	30	5DR13	49	14	40	5TR13	49	16	55
14	78.00	71.34	5SR14	52	12	30	5DR14	54	14	40	5TR14	54	16	55
15	83.00	76.36	5SR15	57	12	30	5DR15	59	14	40	5TR15	59	16	55
16	88.00	81.37	5SR16	60	12	30	5DR16	64	16	45	5TR16	64	16	60
17	93.00	86.39	5SR17	60	12	30	5DR17	69	16	45	5TR17	69	16	60
18	98.30	91.42	5SR18	70	14	30	5DR18	74	16	45	5TR18	74	16	60
19	103.30	96.45	5SR19	70	14	30	5DR19	79	16	45	5TR19	79	16	60
20	108.40	101.49	5SR20	75	14	30	5DR20	84	16	45	5TR20	84	16	60
21	113.40	106.52	5SR21	75	16	30	5DR21	85	16	45	5TR21	85	20	60
22	118.00	111.55	5SR22	80	16	30	5DR22	90	16	45	5TR22	90	20	60
23	123.40	116.58	5SR23	80	16	30	5DR23	95	16	45	5TR23	95	20	60
24	128.30	121.62	5SR24	80	16	30	5DR24	100	16	45	5TR24	100	20	60
25	134.00	126.66	5SR25	80	16	30	5DR25	105	16	45	5TR25	105	20	60
26	139.00	131.70	5SR26	85	20	35	5DR26	110	20	45	5TR26	110	20	60
27	144.00	136.75	5SR27	85	20	35	5DR27	110	20	45	5TR27	110	20	60
28	148.70	141.78	5SR28	90	20	35	5DR28	115	20	45	5TR28	115	20	60
29	153.80	146.83	5SR29	90	20	35	5DR29	115	20	45	5TR29	115	20	60
30	158.80	151.87	5SR30	90	20	35	5DR30	120	20	45	5TR30	120	20	60
31	163.90	156.92	5SR31	95	20	35	5DR31	120	20	45	5TR31	120	20	60
32	168.90	161.95	5SR32	95	20	35	5DR32	120	20	45	5TR32	120	20	60
33	174.50	167.00	5SR33	95	20	35	5DR33	120	20	45	5TR33	120	20	60
34	179.00	172.05	5SR34	95	20	35	5DR34	120	20	45	5TR34	120	20	60
35	184.10	177.10	5SR35	95	20	35	5DR35	120	20	45	5TR35	120	20	60
36	189.10	182.15	5SR36	100	20	35	5DR36	120	20	45	5TR36	120	25	60
37	194.20	187.20	5SR37	100	20	35	5DR37	120	20	45	5TR37	120	25	60
38	199.20	192.24	5SR38	100	20	35	5DR38	120	20	45	5TR38	120	25	60
39	204.20	197.29	5SR39	100	20	35	5DR39	120	20	45	5TR39	120	25	60
40	209.30	202.34	5SR40	100	20	35	5DR40	120	20	45	5TR40	120	25	60

**SPROCKETS PILOT BORE**



**12B Chain** Pitch: 19.05mm  
**3/4" x 7/16"** Internal width: 11.68mm  
 Roller dia: 12.07mm

**Sprocket** Tooth radius r: 19mm  
 Radius width C: 2mm  
 Tooth width h1: 11.1mm  
 Tooth width L: 10.8mm  
 Tooth width h2: 30.3mm  
 Tooth width h3: 49.8mm



**12B-1 (6SR)**

**12B-2 (6DR)**

**12B-3 (6TR)**

Teeth	De	Dp	Simplex			Duplex			Triplex					
			Part No.	d	D	H	Part No.	d	D	H	Part No.	d	D	H
8	57.6	49.8	6SR08	31	12	30	6DR08	31	12	45	6TR08	31	16	65
9	62.0	55.7	6SR09	37	12	30	6DR09	37	12	45	6TR09	37	16	65
10	69.0	61.6	6SR10	42	12	30	6DR10	42	12	45	6TR10	42	16	65
11	75.0	67.6	6SR11	46	14	35	6DR11	47	16	50	6TR11	47	20	70
12	81.5	73.6	6SR12	52	14	35	6DR12	53	16	50	6TR12	53	20	70
13	87.5	79.6	6SR13	58	14	35	6DR13	59	16	50	6TR13	59	20	70
14	93.6	85.6	6SR14	64	14	35	6DR14	65	16	50	6TR14	65	20	70
15	99.8	91.6	6SR15	70	14	35	6DR15	71	16	50	6TR15	71	20	70
16	105.5	97.7	6SR16	75	16	35	6DR16	77	20	50	6TR16	77	20	70
17	111.5	103.7	6SR17	80	16	35	6DR17	83	20	50	6TR17	89	20	70
18	118.0	109.7	6SR18	80	16	35	6DR18	89	20	50	6TR18	89	20	70
19	124.2	115.8	6SR19	80	16	35	6DR19	95	20	50	6TR19	95	20	70
20	129.7	121.8	6SR20	80	16	35	6DR20	100	20	50	6TR20	100	20	70
21	136.0	127.8	6SR21	90	20	40	6DR21	100	20	50	6TR21	100	20	70
22	141.8	133.9	6SR22	90	20	40	6DR22	100	20	50	6TR22	100	20	70
23	149.0	139.9	6SR23	90	20	40	6DR23	110	20	50	6TR23	110	20	70
24	153.9	145.9	6SR24	90	20	40	6DR24	110	20	50	6TR24	110	20	70
25	160.0	152.0	6SR25	90	20	40	6DR25	120	20	50	6TR25	120	20	70
26	165.9	158.0	6SR26	95	20	40	6DR26	120	20	50	6TR26	120	20	70
27	172.3	164.1	6SR27	95	20	40	6DR27	120	20	50	6TR27	120	20	70
28	178.0	170.1	6SR28	95	20	40	6DR28	120	20	50	6TR28	120	20	70
29	184.1	176.2	6SR29	95	20	40	6DR29	120	20	50	6TR29	120	20	70
30	190.5	182.3	6SR30	95	20	40	6DR30	120	20	50	6TR30	120	20	70
31	196.3	188.3	6SR31	100	20	40	6DR31	130	20	50	6TR31	130	25	70
32	203.3	194.4	6SR32	100	20	40	6DR32	130	20	50	6TR32	130	25	70
33	209.3	200.4	6SR33	100	20	40	6DR33	130	20	50	6TR33	130	25	70
34	214.6	206.5	6SR34	100	20	40	6DR34	130	20	50	6TR34	130	25	70
35	221.0	212.5	6SR35	100	20	40	6DR35	130	20	50	6TR35	130	25	70
36	226.8	218.6	6SR36	100	20	40	6DR36	130	25	50	6TR36	130	25	70
37	232.9	224.6	6SR37	100	20	40	6DR37	130	25	50	6TR37	130	25	70
38	239.0	230.7	6SR38	100	20	40	6DR38	130	25	50	6TR38	130	25	70
39	245.1	236.8	6SR39	100	20	40	6DR39	130	25	50	6TR39	130	25	70
40	251.3	242.8	6SR40	100	20	40	6DR40	130	25	50	6TR40	130	25	70

**SPROCKETS PILOT BORE**

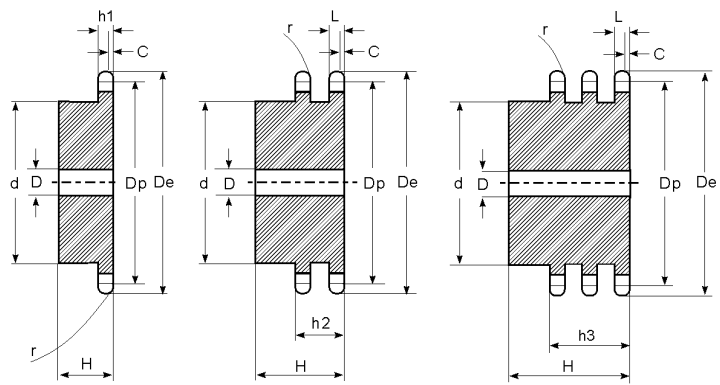


**16B Chain**  
1" x 17.02mm

Pitch : 25.4mm  
Internal width: 17.02mm  
Roller dia: 15.88mm

**Sprocket**

Tooth radius r: 26mm  
Radius width C: 2.5mm  
Tooth width h1: 16.2mm  
Tooth width L: 15.8mm  
Tooth width h2: 47.7mm  
Tooth width h3: 79.6mm



Sizes shown with an \* denotes welded boss

**16B-1 (8SR)**

**16B-2 (8DR)**

**16B-3 (8TR)**

Teeth	De	Dp	Simplex			Duplex			Triplex					
			Part No.	d	D	H	Part No.	d	D	H	Part No.	d	D	H
8	77.00	66.37	8SR08	42	16	35	8DR08	42	16	65	8TR08	42	20	95
9	85.00	74.27	8SR09	50	16	35	8DR09	50	16	65	8TR09	50	20	95
10	93.00	82.19	8SR10	55	16	35	8DR10	56	16	65	8TR10	56	20	95
11	99.50	90.14	8SR11	61	16	40	8DR11	64	20	70	8TR11	64	25	100
12	109.00	98.14	8SR12	69	16	40	8DR12	72	20	70	8TR12	72	25	100
13	117.00	106.12	8SR13	78	16	40	8DR13	80	20	70	8TR13	80	25	100
14	125.00	114.15	8SR14	84	16	40	8DR14	88	20	70	8TR14	88	25	100
15	133.00	122.17	8SR15	92	16	40	8DR15	96	20	70	8TR15	96	25	100
16	141.00	130.20	8SR16	100	20	45	8DR16	104	20	70	8TR16	104	30	100
17	149.00	138.22	8SR17	100	20	45	8DR17	112	20	70	8TR17	112	30	100
18	157.00	146.28	8SR18	100	20	45	8DR18	120	20	70	8TR18	120	30	100
19	165.20	154.33	8SR19	100	20	45	8DR19	128	20	70	8TR19	128	30	100
20	173.20	162.38	8SR20	100	20	45	8DR20	130	20	70	8TR20	130	30	100
21	181.20	170.43	8SR21	110	20	50	8DR21	*130	25	70	8TR21	*130	30	100
22	189.30	178.48	8SR22	110	20	50	8DR22	*130	25	70	8TR22	*130	30	100
23	197.50	186.53	8SR23	110	20	50	8DR23	*130	25	70	8TR23	*130	30	100
24	205.50	194.59	8SR24	110	20	50	8DR24	*130	25	70	8TR24	*130	30	100
25	213.50	202.66	8SR25	110	20	50	8DR25	*130	25	70	8TR25	*130	30	100
26	221.60	210.72	8SR26	120	20	50	8DR26	*130	25	70	8TR26	*130	30	100
27	229.60	218.79	8SR27	120	20	50	8DR27	*130	25	70	8TR27	*130	30	100
28	237.70	226.85	8SR28	120	20	50	8DR28	*130	25	70	8TR28	*130	30	100
29	245.80	234.92	8SR29	120	20	50	8DR29	*130	25	70	8TR29	*130	30	100
30	254.00	243.00	8SR30	120	20	50	8DR30	*130	25	70	8TR30	*130	30	100
31	262.00	251.08	8SR31	*120	25	50	8DR31	*130	25	70	8TR31	*140	30	100
32	27.00	29.13	8SR32	*120	25	50	8DR32	*130	25	70	8TR32	*140	30	100
33	278.50	267.21	8SR33	*120	25	50	8DR33	*130	25	70	8TR33	*140	30	100
34	287.00	275.28	8SR34	*120	25	50	8DR34	*130	25	70	8TR34	*140	30	100
35	296.20	283.36	8SR35	*120	25	50	8DR35	*130	25	70	8TR35	*140	30	100
36	304.60	291.44	8SR36	*120	25	50	8DR36	*130	25	70	8TR36	*140	30	100
37	312.60	299.51	8SR37	*120	25	50	8DR37	*130	25	70	8TR37	*140	30	100
38	320.70	307.59	8SR38	*120	25	50	8DR38	*130	25	70	8TR38	*140	30	100
39	328.80	315.67	8SR39	*120	25	50	8DR39	*130	25	70	8TR39	*140	30	100
40	336.90	323.73	8SR40	*120	25	50	8DR40	*130	25	70	8TR40	*140	30	100

**SPROCKETS PILOT BORE**

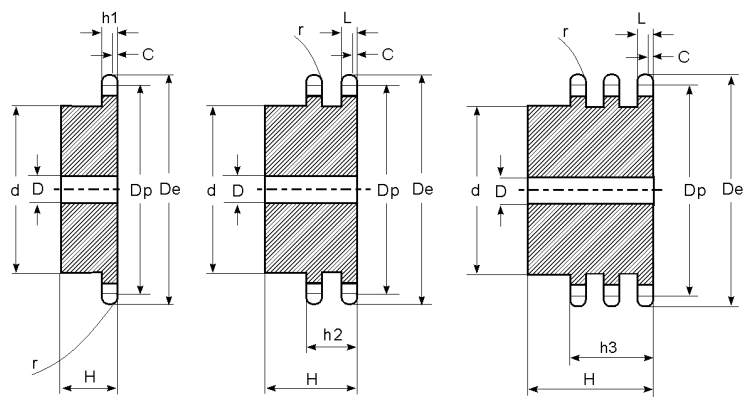


**20B Chain**  
1-1/4" x 3/4"

Pitch : 31.75mm  
Internal width: 19.56mm  
Roller dia: 19.05mm

**Sprocket**

Tooth radius r: 32mm  
Radius width C: 3.5mm  
Tooth width h1: 18.5mm  
Tooth width L: 18.2mm  
Tooth width h2: 54.6mm  
Tooth width h3: 91mm



Sizes shown with an \* denotes welded boss

**20B-1 (10SR)**

**20B-2 (10DR)**

**20B-3 (10TR)**

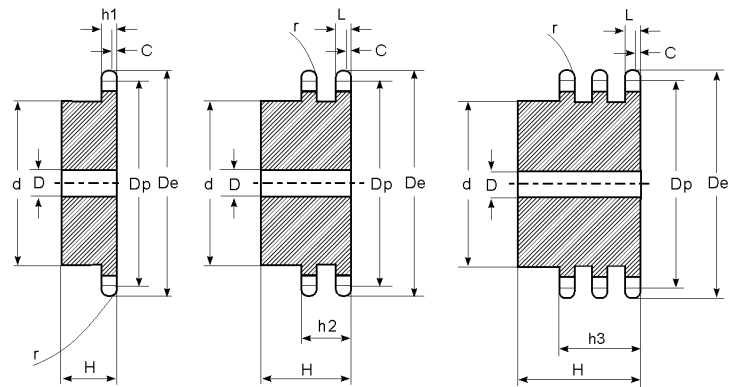
Teeth	De	Dp	Simplex			Duplex			Triplex					
			Part No.	d	D	H	Part No.	d	D	H	Part No.	d	D	H
8	98.10	82.96	10SR08	53	20	40	10DR08	53	20	75	10TR08	53	20	110
9	108.00	92.84	10SR09	63	20	40	10DR09	63	20	75	10TR09	63	20	110
10	117.90	102.74	10SR10	70	20	40	10DR10	70	20	75	10TR10	70	20	110
11	127.80	112.68	10SR11	77	20	45	10DR11	80	20	80	10TR11	80	20	115
12	137.80	122.68	10SR12	88	20	45	10DR12	90	20	80	10TR12	90	20	115
13	147.80	132.65	10SR13	98	20	45	10DR13	100	20	80	10TR13	100	20	115
14	157.80	142.68	10SR14	108	20	45	10DR14	110	20	80	10TR14	110	20	115
15	167.90	152.72	10SR15	118	20	45	10DR15	120	20	80	10TR15	120	20	115
16	177.90	162.75	10SR16	120	25	50	10DR16	120	25	80	10TR16	120	25	115
17	187.90	172.78	10SR17	120	25	50	10DR17	120	25	80	10TR17	120	25	115
18	198.00	182.85	10SR18	120	25	50	10DR18	*120	25	80	10TR18	*120	25	115
19	208.10	192.91	10SR19	120	25	50	10DR19	*120	25	80	10TR19	*120	25	115
20	218.10	202.98	10SR20	120	25	50	10DR20	*120	25	80	10TR20	*120	25	115
21	228.20	213.04	10SR21	140	25	55	10DR21	*140	25	80	10TR21	*140	25	115
22	238.30	223.11	10SR22	140	25	55	10DR22	*140	25	80	10TR22	*140	25	115
23	248.30	233.17	10SR23	140	25	55	10DR23	*140	25	80	10TR23	*140	25	115
24	258.40	243.23	10SR24	140	25	55	10DR24	*140	25	80	10TR24	*140	25	115
25	268.50	253.33	10SR25	140	25	55	10DR25	*140	25	80	10TR25	*140	25	115
26	278.60	263.40	10SR26	*150	25	55	10DR26	*150	25	80	10TR26	*150	25	115
27	288.60	273.48	10SR27	*150	25	55	10DR27	*150	25	80	10TR27	*150	25	115
28	298.70	283.56	10SR28	*150	25	55	10DR28	*150	25	80	10TR28	*150	25	115
29	308.80	293.65	10SR29	*150	25	55	10DR29	*150	25	80	10TR29	*150	25	115
30	318.90	303.75	10SR30	*150	25	55	10DR30	*150	25	80	10TR30	*150	25	115
31	329.00	313.85	10SR31	*150	25	55	10DR31	*150	25	80	10TR31	*150	30	115
32	339.10	323.91	10SR32	*150	25	55	10DR32	*150	25	80	10TR32	*150	30	115
33	349.20	334.01	10SR33	*150	25	55	10DR33	*150	25	80	10TR33	*150	30	115
34	359.30	334.10	10SR34	*150	25	55	10DR34	*150	25	80	10TR34	*150	30	115
35	369.40	354.20	10SR35	*150	25	55	10DR35	*150	25	80	10TR35	*150	30	115
36	379.50	364.30	10SR36	*150	25	55	10DR36	*150	30	80	10TR36	*150	30	115
37	389.50	374.39	10SR37	*150	25	55	10DR37	*150	30	80	10TR37	*150	30	115
38	399.60	384.49	10SR38	*150	25	55	10DR38	*150	30	80	10TR38	*150	30	115
39	409.70	394.59	10SR39	*150	25	55	10DR39	*150	30	80	10TR39	*150	30	115
40	419.80	404.66	10SR40	*150	25	55	10DR40	*150	30	80	10TR40	*150	30	115

**SPROCKETS PILOT BORE**



**24B Chain** Pitch: 38.1mm  
**1-1/2" x 1"** Internal width: 25.4mm  
 Roller dia: 25.4mm

**Sprocket** Tooth radius r: 38mm  
 Radius width C: 4mm  
 Tooth width h1: 24.1mm  
 Tooth width L: 23.6mm  
 Tooth width h2: 72mm  
 Tooth width h3: 120.3mm



Sizes shown with an \* denotes welded boss

**24B-1 (12SR)**

**24B-2 (12DR)**

**24B-3 (12TR)**

Teeth	De	Dp	Simplex			Duplex			Triplex					
			Part No.	d	D	H	Part No.	d	D	H	Part No.	d	D	H
8	115.00	99.55	12SR08	58	20	45	12DR08	58	25	95	12TR08	58	25	140
9	126.40	111.40	12SR09	70	20	45	12DR09	70	25	95	12TR09	70	25	140
10	138.00	123.29	12SR10	80	20	45	12DR10	80	25	95	12TR10	80	25	140
11	150.00	135.21	12SR11	90	25	50	12DR11	90	25	100	12TR11	90	25	150
12	162.00	147.22	12SR12	102	25	50	12DR12	102	25	100	12TR12	102	25	150
13	174.20	159.18	12SR13	114	25	50	12DR13	114	25	100	12TR13	114	25	150
14	186.20	171.22	12SR14	128	25	50	12DR14	128	25	100	12TR14	128	25	150
15	198.20	183.26	12SR15	140	25	50	12DR15	140	25	100	12TR15	140	25	150
16	210.30	195.30	12SR16	*140	25	55	12DR16	*140	25	100	12TR16	*140	25	150
17	222.30	207.34	12SR17	*140	25	55	12DR17	*150	25	100	12TR17	*150	25	150
18	234.30	219.42	12SR18	*140	25	55	12DR18	*160	25	100	12TR18	*160	25	150
19	246.50	231.49	12SR19	*140	25	55	12DR19	*160	25	100	12TR19	*160	25	150
20	258.60	243.57	12SR20	*140	25	55	12DR20	*160	25	100	12TR20	*160	25	150
21	270.60	255.65	12SR21	*150	25	60	12DR21	*160	25	100	12TR21	*160	30	150
22	282.70	267.73	12SR22	*150	25	60	12DR22	*160	25	100	12TR22	*160	30	150
23	294.80	279.80	12SR23	*150	25	60	12DR23	*160	25	100	12TR23	*160	30	150
24	306.80	291.88	12SR24	*150	25	60	12DR24	*160	25	100	12TR24	*160	30	150
25	319.00	304.00	12SR25	*150	25	60	12DR25	*160	25	100	12TR25	*160	30	150
26	331.00	316.08	12SR26	*160	30	60	12DR26	*160	30	100	12TR26	*160	30	150
27	343.20	328.19	12SR27	*160	30	60	12DR27	*160	30	100	12TR27	*160	30	150
28	355.20	340.27	12SR28	*160	30	60	12DR28	*160	30	100	12TR28	*160	30	150
29	367.30	352.38	12SR29	*160	30	60	12DR29	*160	30	100	12TR29	*160	30	150
30	379.50	364.50	12SR30	*160	30	60	12DR30	*160	30	100	12TR30	*160	30	150
31	391.60	376.62	12SR31	*160	30	60	12DR31	*170	30	100	12TR31	*170	40	150
32	403.70	388.69	12SR32	*160	30	60	12DR32	*170	30	100	12TR32	*170	40	150
33	415.80	400.81	12SR33	*160	30	60	12DR33	*170	30	100	12TR33	*170	40	150
34	427.80	412.93	12SR34	*160	30	60	12DR34	*170	30	100	12TR34	*170	40	150
35	440.00	425.04	12SR35	*160	30	60	12DR35	*170	30	100	12TR35	*170	40	150
36	452.00	437.16	12SR36	*160	30	60	12DR36	*170	30	100	12TR36	*170	40	150
37	464.20	449.27	12SR37	*160	30	60	12DR37	*170	30	100	12TR37	*170	40	150
38	476.20	461.39	12SR38	*160	30	60	12DR38	*170	30	100	12TR38	*170	40	150
39	488.50	473.50	12SR39	*160	30	60	12DR39	*170	30	100	12TR39	*170	40	150
40	500.60	485.62	12SR40	*160	30	60	12DR40	*170	30	100	12TR40	*170	40	150

**SPROCKETS PILOT BORE**

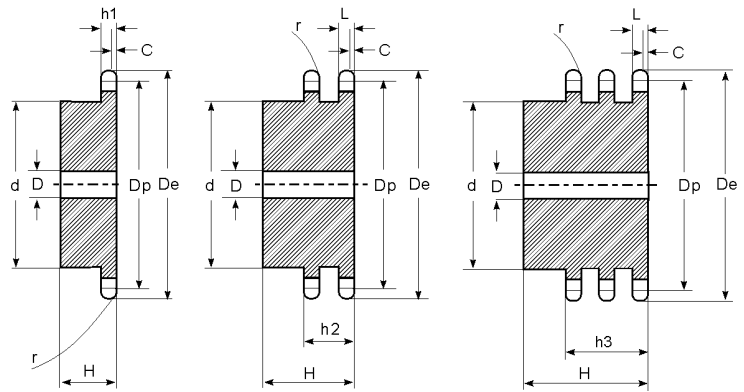


**28B Chain**  
1-3/4" x 1-1/4"

Pitch: 44.45mm  
Internal width: 30.99mm  
Roller dia: 27.94mm

**Sprocket**

Tooth radius r: 44mm  
Radius width C: 5mm  
Tooth width h1: 29.4mm  
Tooth width L: 28.8mm  
Tooth width h2: 88.4mm  
Tooth width h3: 148mm



Sizes shown with an \* denotes welded boss

**28B-1 (14SR)**

**28B-2 (14DR)**

**28B-3 (14TR)**

Teeth	De	Dp	Simplex			Duplex			Triplex					
			Part No.	d	D	H	Part No.	d	D	H	Part No.	d	D	H
8	132.00	116.15	14SR08	74	25	70	14DR08	74	25	120	14TR08	74	30	180
9	148.40	129.96	14SR09	88	25	70	14DR09	88	25	120	14TR09	88	30	180
10	162.30	143.85	14SR10	100	25	70	14DR10	100	25	120	14TR10	100	30	180
11	176.30	157.77	14SR11	112	25	70	14DR11	112	25	120	14TR11	112	30	180
12	189.30	171.74	14SR12	125	25	70	14DR12	125	25	120	14TR12	125	30	180
13	204.20	185.75	14SR13	*130	25	70	14DR13	*130	25	120	14TR13	*130	30	180
14	218.20	199.76	14SR14	*130	25	70	14DR14	*130	25	120	14TR14	*130	30	180
15	232.30	213.79	14SR15	*145	25	70	14DR15	*160	30	120	14TR15	*145	30	180
16	246.30	227.84	14SR16	*160	30	75	14DR16	*160	30	120	14TR16	*160	30	180
17	260.00	241.90	14SR17	*160	30	75	14DR17	*160	30	120	14TR17	*160	30	180
18	274.00	255.98	14SR18	*160	30	75	14DR18	*160	30	120	14TR18	*160	30	180
19	289.00	270.06	14SR19	*160	30	75	14DR19	*180	30	120	14TR19	*180	30	180
20	303.00	284.15	14SR20	*160	30	75	14DR20	*180	30	120	14TR20	*180	30	180
21	317.00	298.24	14SR21	*170	30	75	14DR21	*180	30	120	14TR21	*180	30	180
22	331.00	312.34	14SR22	*170	30	75	14DR22	*180	30	120	14TR22	*180	30	180
23	345.00	326.44	14SR23	*170	30	75	14DR23	*180	30	120	14TR23	*180	30	180
24	359.00	340.55	14SR24	*170	30	75	14DR24	*180	30	120	14TR24	*180	30	180
25	373.00	354.66	14SR25	*170	30	75	14DR25	*180	30	120	14TR25	*180	40	180
26	387.00	368.77	14SR26	*170	30	75	14DR26	*180	30	120	14TR26	*180	40	180
27	401.00	382.88	14SR27	*170	30	75	14DR27	*180	30	120	14TR27	*180	40	180
28	416.00	397.00	14SR28	*170	30	75	14DR28	*180	30	120	14TR28	*180	40	180
29	430.00	411.12	14SR29	*170	30	75	14DR29	*180	30	120	14TR29	*180	40	180
30	444.00	425.24	14SR30	*170	30	75	14DR30	*180	30	120	14TR30	*180	40	180
31	458.00	439.37	14SR31	*180	30	75	14DR31	*200	30	120	14TR31	*200	40	180
32	472.00	453.49	14SR32	*180	30	75	14DR32	*200	30	120	14TR32	*200	40	180
33	486.00	467.62	14SR33	*180	30	75	14DR33	*200	30	120	14TR33	*200	40	180
34	500.00	481.75	14SR34	*180	30	75	14DR34	*200	30	120	14TR34	*200	40	180
35	514.00	495.88	14SR35	*180	30	75	14DR35	*200	30	120	14TR35	*200	40	180
36	529.00	510.01	14SR36	*180	30	75	14DR36	*200	30	120	14TR36	*200	40	180
37	543.00	524.13	14SR37	*180	30	75	14DR37	*200	30	120	14TR37	*200	40	180
38	557.00	538.27	14SR38	*180	30	75	14DR38	*200	30	120	14TR38	*200	40	180
39	571.00	552.40	14SR39	*180	30	75	14DR39	*200	30	120	14TR39	*200	40	180
40	585.00	566.54	14SR40	*180	30	75	14DR40	*200	30	120	14TR40	*200	40	180

**SPROCKETS PILOT BORE**

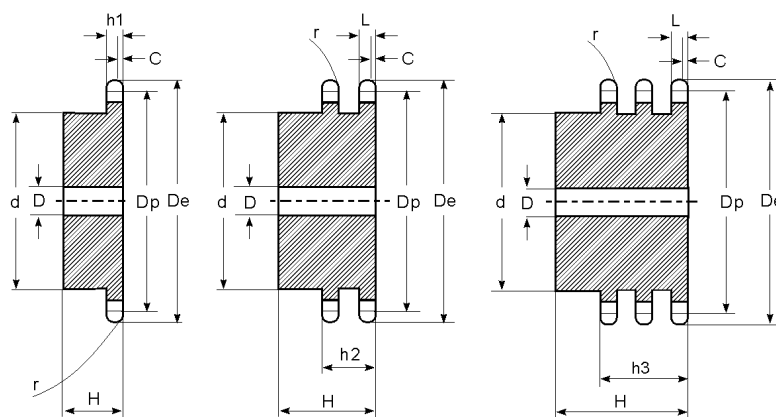


**32B Chain  
2" x 1-1/4"**

Pitch: 50.8mm  
Internal width: 30.99mm  
Roller dia: 29.21mm

**Sprocket**

Tooth radius r: 51mm  
Radius width C: 6mm  
Tooth width h1: 29.4mm  
Tooth width L: 28.8mm  
Tooth width h2: 87.4mm  
Tooth width h3: 146mm



Sizes shown with an \* denotes welded boss

**32B-1 (16SR)**

**32B-2 (16DR)**

**32B-3 (16TR)**

Teeth	De	Dp	Simplex				Duplex				Triplex			
			Part No.	d	D	H	Part No.	d	D	H	Part No.	d	D	H
8	153.20	132.74	16SR08	82	25	80	16DR08	82	30	120	16TR08	82	30	180
9	169.00	148.54	16SR09	88	25	80	16DR09	88	30	120	16TR09	88	30	180
10	185.00	164.39	16SR10	104	25	80	16DR10	104	30	120	16TR10	104	30	180
11	200.80	180.31	16SR11	120	30	80	16DR11	120	30	120	16TR11	120	30	180
12	216.80	196.29	16SR12	*133	30	80	16DR12	*133	30	120	16TR12	*133	30	180
13	232.80	212.29	16SR13	*145	30	80	16DR13	*145	30	120	16TR13	*145	30	180
14	248.80	228.29	16SR14	*160	30	80	16DR14	*160	30	120	16TR14	*160	30	180
15	264.80	244.30	16SR15	*160	30	80	16DR15	*160	30	120	16TR15	*160	30	180
16	280.90	260.40	16SR16	*160	30	90	16DR16	*160	30	120	16TR16	*160	30	180
17	296.90	276.46	16SR17	*170	30	90	16DR17	*180	30	120	16TR17	*180	30	180
18	313.00	292.55	16SR18	*170	30	90	16DR18	*180	30	120	16TR18	*180	30	180
19	329.10	308.66	16SR19	*170	30	90	16DR19	*200	30	120	16TR19	*200	30	180
20	345.20	324.71	16SR20	*180	30	90	16DR20	*200	30	120	16TR20	*200	30	180
21	361.30	340.82	16SR21	*180	30	90	16DR21	*200	30	120	16TR21	*200	40	180
22	377.50	356.98	16SR22	*180	30	90	16DR22	*200	30	120	16TR22	*200	40	180
23	393.60	373.08	16SR23	*180	30	90	16DR23	*200	30	120	16TR23	*200	40	180
24	409.70	389.18	16SR24	*180	30	90	16DR24	*200	30	120	16TR24	*200	40	180
25	425.80	405.33	16SR25	*180	30	90	16DR25	*200	30	120	16TR25	*200	40	180
26	441.90	421.44	16SR26	*180	30	90	16DR26	*200	30	120	16TR26	*200	40	180
27	458.10	437.59	16SR27	*180	30	90	16DR27	*200	30	120	16TR27	*200	40	180
28	474.20	453.69	16SR28	*180	30	90	16DR28	*200	30	120	16TR28	*200	40	180
29	492.00	469.85	16SR29	*180	30	90	16DR29							
30	506.50	486.00	16SR30	*180	30	90	16DR30	*200	30	120	16TR30	*200	40	180
32	538.80	518.27	16SR32	*180	30	90	16DR32							
35	589.50	566.71	16SR35	*180	30	90	16DR35							
38	635.50	615.16	16SR38	*180	30	90	16DR38							
40	670.30	647.47	16SR40	*180	30	90	16DR40							

Plate wheels are also available part no. 16SR08PW