

PILOT BORE SPROCKETS - CAST IRON



PILOT BORE SPROCKETS - CAST IRON

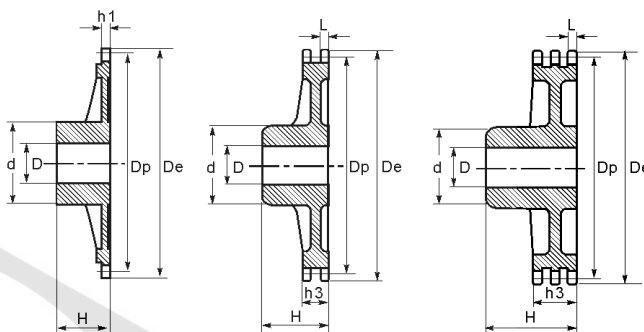
Description

Pilot bore sprockets are manufactured to internationally recognised standards. DIN8187-ISO/R 606. Cast Iron sprockets are produced from GG22 EN -GJL-200 UNI 1561 cast iron. They have a black phosphated finish to increase corrosion resistance so extending the sprockets working life. Conveniently stocked with a minimum pilot bore (see dimension 'D') they can be machined to suit any suitable mounting requirement. Available from stock to suit British standard roller chains from 06B (3/8" pitch) up to 32B (2" pitch) sizes in Simplex (single), Duplex (double) & Triplex (treble) rows of teeth.

06B Chain
3/8" x 7/32"

Sprocket

Pitch: 9.525mm
Internal width: 5.72mm
Roller dia: 6.35mm
Tooth radius: 10mm
Radius width C: 1mm
Tooth width h1: 5.3mm
Tooth width :L 5.2mm
Tooth width h2: 15.4mm
Tooth width h3: 25.6mm



06B-1 (3SR)

06B-2 (3DR)

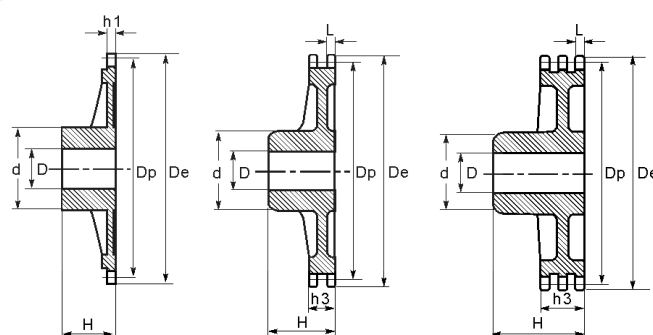
06B-3 (3TR)

Teeth	De	Dp	Simplex			Duplex			Triplex					
			Part No.	d	D	H	Part No.	d	D	H	Part No.	d	D	H
38	119.5	115.34	3SR38C	70	19	32	3DR38C	80	19	40	3TR38C	90	23	56
45	140.7	136.54	3SR45C	70	19	32	3DR45C	80	19	40	3TR45C	90	23	56
57	176.9	172.91	3SR57C	70	19	32	3DR57C	80	19	40	3TR57C	90	23	56
76	234.9	230.49	3SR76C	70	19	32	3DR76C	80	19	40	3TR76C	100	23	56
95	292.5	288.08	3SR95C	80	19	40	3DR95C	90	19	45	3TR95C	100	23	56
114	349.6	345.68	3SR114C	80	19	40	3DR114C	95	19	45	3TR114C	100	23	56

08B Chain
1/2" x 5/16"

Sprocket

Pitch: 12.7mm
Internal width: 7.75mm
Roller dia: 8.51mm
Tooth radius r: 13mm
Radius width C: 1.3mm
Tooth width h1: 7.2mm
Tooth width L: 7mm
Tooth width h2: 21mm
Tooth width h3: 34.9mm



08B-1 (4SR)

08B-2 (4DR)

08B-3 (4TR)

Teeth	De	Dp	Simplex			Duplex			Triplex					
			Part No.	d	D	H	Part No.	d	D	H	Part No.	d	D	H
38	158.6	153.80	4SR38C	70	19	40	4DR38C	90	23	50	4TR38C	100	23	60
45	188.0	182.07	4SR45C	70	19	40	4DR45C	90	23	50	4TR45C	100	23	60
57	236.4	230.54	4SR57C	70	19	40	4DR57C	90	23	50	4TR57C	100	23	60
76	313.3	307.33	4SR76C	80	23	40	4DR76C	100	23	56	4TR76C	100	23	60

PILOT BORE SPROCKETS - CAST IRON

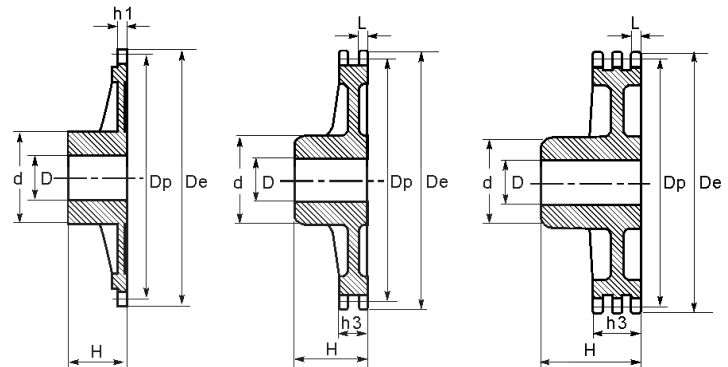


		08B-1 (4SR)					08B-2 (4DR)					08B-3 (4TR)				
Teeth	De	Dp	Simplex				Duplex				Triplex					
			Part No.	d	D	H	Part No.	d	D	H	Part No.	d	D	H		
95	390.1	384.11	4SR95C	80	23	45	4DR95C	100	23	56	4TR95C	120	23	67		
114	466.9	460.90	4SR114C	80	23	45	4DR114C	100	23	63	4TR114C	120	23	67		

10B Chain
5/8" x 3/8"

Pitch: 15.875mm
Internal width: 9.65mm
Roller dia: 10.16mm
Tooth radius r: 16mm
Radius width C: 1.6mm
Tooth width h1: 9.1mm
Tooth width L: 9mm
Tooth width h2: 25.5mm
Tooth width h3: 42.1mm

Sprocket

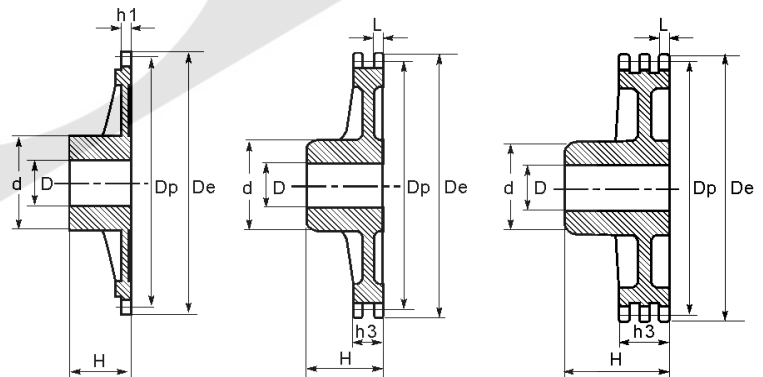


		10B-1 (5SR)					10B-2 (5DR)					10B-3 (5TR)				
Teeth	De	Dp	Simplex				Duplex				Triplex					
			Part No.	d	D	H	Part No.	d	D	H	Part No.	d	D	H		
38	199.2	192.24	5SR38C	80	19	40	5DR38C	100	29	50	5TR38C	100	31	60		
45	235	227.58	5SR45C	80	19	40	5DR45C	100	29	50	5TR45C	100	31	60		
57	296	288.18	5SR57C	90	23	45	5DR57C	100	29	56	5TR57C	100	31	63		
76	392.1	384.16	5SR76C	90	23	50	5DR76C	100	29	63	5TR76C	110	34	64		
95	488.5	480.14	5SR95C	100	23	56	5DR95C	110	29	63	5TR95C	125	34	70		
114	584.1	576.13	5SR114C	100	23	56	5DR114C	125	29	70	5TR114C	125	34	80		

12B Chain
3/4" x 7/16"

Pitch: 19.05mm
Internal width: 11.68mm
Roller dia: 12.07mm
Tooth radius r: 19mm
Radius width C: 2mm
Tooth width h1: 11.1mm
Tooth width L: 10.8mm
Tooth width h2: 30.3mm
Tooth width h3: 49.8mm

Sprocket



		12B-1 (6SR)					12B-2 (6DR)					12B-3 (6TR)				
Teeth	De	Dp	Simplex				Duplex				Triplex					
			Part No.	d	D	H	Part No.	d	D	H	Part No.	d	D	H		
38	239.0	230.69	6SR38C	100	23	56	6DR38C	110	29	63	6TR38C	140	30	70		
45	282.5	273.10	6SR45C	100	23	56	6DR45C	110	29	63	6TR45C	140	30	70		
57	354.0	345.81	6SR57C	100	29	56	6DR57C	120	29	63	6TR57C	140	39	70		
76	469.9	460.99	6SR76C	100	29	56	6DR76C	135	29	63	6TR76C	160	39	75		
95	585.1	576.17	6SR95C	100	29	65	6DR95C	135	29	70	6TR95C	170	39	82		
114	700.6	691.36	6SR114C	100	29	65	6DR114C	135	29	70	6TR114C	170	49	82		

PILOT BORE SPROCKETS - CAST IRON

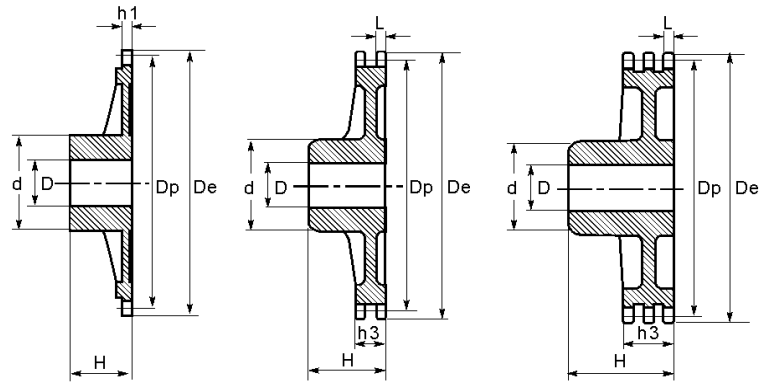


16B Chain
1" x 17.02mm

Pitch : 25.4mm
Internal width: 17.02mm
Roller dia: 15.88mm

Sprocket

Tooth radius r: 26mm
Radius width C: 2.5mm
Tooth width h1: 16.2mm
Tooth width L: 15.8mm
Tooth width h2: 47.7mm
Tooth width h3: 79.6mm



16B-1 (8SR)

16B-2 (8DR)

16B-3 (8TR)

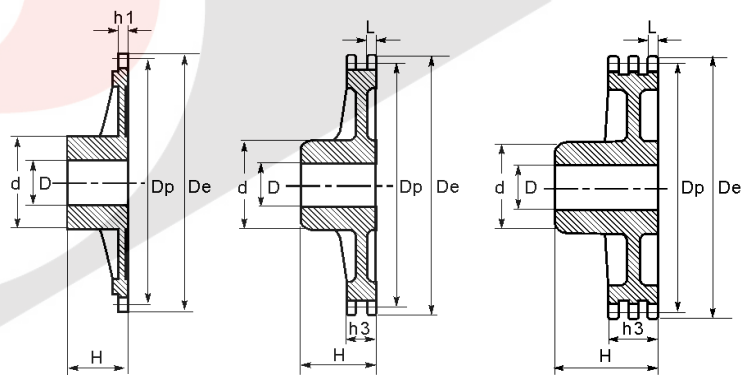
Teeth	De	Dp	Simplex			Duplex			Triplex					
			Part No.	d	D	H	Part No.	d	D	H	Part No.	d	D	H
30	254.0	243.00	8SR30C	110	29	65	8DR30C	125	39	75	8TR30C	145	39	90
38	320.0	307.59	8SR38C	110	29	65	8DR38C	140	39	75	8TR38C	160	44	100
45	377.0	364.12	8SR45C	125	29	70	8DR45C	150	39	75	8TR45C	160	44	100
57	474.0	461.07	8SR57C	125	34	70	8DR57C	170	39	90	8TR57C	165	44	100
76	627.0	614.65	8SR76C	140	34	80	8DR76C	175	39	95	8TR76C	200	44	110
95	781.0	768.22	8SR95C	140	39	80	8DR95C	175	44	95	8TR95C	200	49	110
114	933.0	921.81	8SR114C	140	39	80	8DR114C	175	44	95	8TR114C	200	49	115

20B Chain
1-1/4" x 3/4"

Pitch : 31.75mm
Internal width: 19.56mm
Roller dia: 19.05mm

Sprocket

Tooth radius r: 32mm
Radius width C: 3.5mm
Tooth width h1: 18.5mm
Tooth width L: 18.2mm
Tooth width h2: 54.6mm
Tooth width h3: 91mm



20B-1 (10SR)

20B-2 (10DR)

20B-3 (10TR)

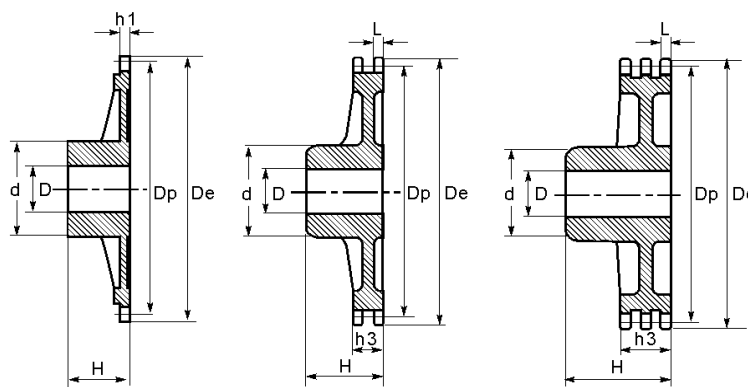
Teeth	De	Dp	Simplex			Duplex			Triplex					
			Part No.	d	D	H	Part No.	d	D	H	Part No.	d	D	H
30	318.9	303.75	10SR30C	115	35	70	10DR30C	130	40	80	10TR30C	160	50	100
38	399.6	384.49	10SR38C	125	35	70	10DR38C	140	44	90	10TR38C	180	56	110
45	470.3	455.17	10SR45C	125	35	70	10DR45C	140	44	90	10TR45C	180	56	110
57	591.5	576.36	10SR57C	135	40	80	10DR57C	160	50	100	10TR57C	180	60	125
76	783.5	768.32	10SR76C	140	40	80	10DR76C	180	50	100	10TR76C	200	60	140

PILOT BORE SPROCKETS - CAST IRON



24B Chain Pitch: 38.1mm
1-1/2" x 1" Internal width: 25.4mm
 Roller dia: 25.4mm

Sprocket Tooth radius r: 38mm
 Radius width C: 4mm
 Tooth width h1: 24.1mm
 Tooth width L: 23.6mm
 Tooth width h2: 72mm
 Tooth width h3: 120.3mm



24B-1 (12SR)

24B-2 (12DR)

24B-3 (12TR)

Teeth	De	Dp	Simplex			Duplex			Triplex					
			Part No.	d	D	H	Part No.	d	D	H	Part No.	d	D	H
30	379.5	364.50	12SR30C	130	40	85	12DR30C	160	40	95	12TR30C	180	60	150
38	476.2	461.39	12SR38C	140	45	90	12DR38C	180	45	100	12TR38C	200	60	150
45	561.2	546.20	12SR45C	140	45	90	12DR45C	180	45	100	12TR45C	200	60	150
57	706.5	691.63	12SR57C	160	45	100	12DR57C	200	55	110	12TR57C	200	70	150
76	936.9	921.98	12SR76C	170	45	100	12DR76C	220	55	120				

