

PRE-BORED SPROCKETS + KEY WAY & GRUB SCREWS



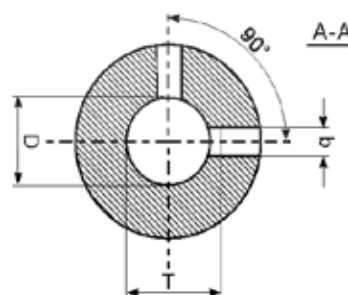
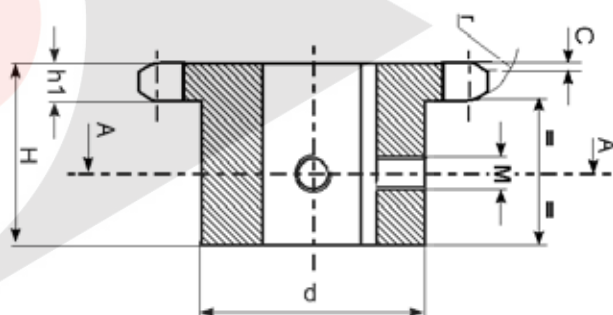
PRE-BORED SPROCKETS + KEY WAY & GRUB SCREWS

Description

Pre-bored sprockets are manufactured to internationally recognised standards DIN8187-ISO/R 606 and are produced from C45 steel UNI EN 10083-1 having a minimum strength of 600 N/mm<sup>2</sup>. They have induction hardened teeth to reduce tooth wear so extending the sprockets working life.

Conveniently held in stock in all popular metric bore sizes (dimension D), and corresponding key way that is located on the centre line of a tooth and 2 grub screws at 90° to each other for securing to a shaft. Available from stock to suit British standard roller chains from 06B (3/8" pitch) up to 16B (1" pitch) sizes in Simplex (single) row of teeth.

Key way dimensions according to bore diameter			
D(H7)	B(H9)	T	M
10	4	D + 1,8 (+0,1 / 0)	M3
11	4	D + 1,8 (+0,1 / 0)	M3
12	4	D + 1,8 (+0,1 / 0)	M3
14	5	D + 2,3 (+0,1 / 0)	M4
16	5	D + 2,3 (+0,1 / 0)	M4
18	6	D + 2,8 (+0,1 / 0)	M5
19	6	D + 2,8 (+0,1 / 0)	M5
20	6	D + 2,8 (+0,1 / 0)	M5
22	6	D + 2,8 (+0,1 / 0)	M5
24	8	D + 3,3 (+0,2 / 0)	M6
25	8	D + 3,3 (+0,2 / 0)	M6
28	8	D + 3,3 (+0,2 / 0)	M6
30	8	D + 3,3 (+0,2 / 0)	M6
32	10	D + 3,3 (+0,2 / 0)	M8
35	10	D + 3,3 (+0,2 / 0)	M8
38	10	D + 3,3 (+0,2 / 0)	M8
40	12	D + 3,3 (+0,2 / 0)	M10
42	12	D + 3,3 (+0,2 / 0)	M10
45	14	D + 3,8 (+0,2 / 0)	M12
48	14	D + 3,8 (+0,2 / 0)	M12
50	14	D + 3,8 (+0,2 / 0)	M12
60	18	D + 4,4 (+0,2 / 0)	M12
65	18	D + 4,4 (+0,2 / 0)	M12
70	20	D + 4,4 (+0,2 / 0)	M12



PRE-BORED SPROCKETS + KEY WAY & GRUB SCREWS

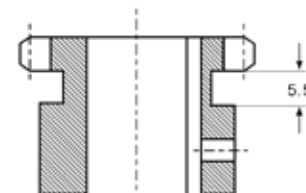
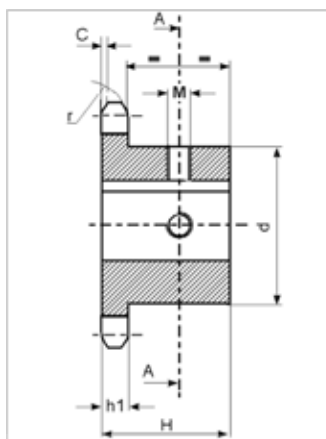


**06B Chain**  
**3/8" x 7/32"**

Pitch: 9.525mm  
Internal width: 5.72mm  
Roller dia: 6.35mm

**Sprocket**

Tooth radius r: 10mm  
Radius width C: 1mm  
Tooth width h1: 5.3mm  
Number of teeth: Z



Version for size with \*

With induction hardened teeth, key way is located on centre line of tooth

**06B-1 (3SR) BORE + KEY WAY & 2 GRUB SCREWS**

Part No.	Z	D	H	d
3SR10/10BK	10	10	22	24
3SR10/11BK		11		
3SR10/12BK		12		26
3SR10/14BK		14		29
3SR11/10BK	11	10	25	24
3SR11/12BK		12		26
3SR11/14BK		14		29*
3SR11/16BK		16		31*
3SR12/10BK	12	10	25	25
3SR12/12BK		12		26
3SR12/14BK		14		29
3SR12/16BK		16		31*
3SR13/10BK		13		10
3SR13/12BK	12			
3SR13/14BK	14			
3SR13/16BK	16		35	
3SR13/18BK	18			
3SR14/12BK	14	12	25	
3SR14/14BK		14		
3SR14/16BK		16		
3SR14/18BK		18		
3SR14/19BK		19		
3SR15/12BK	15	12	25	34
3SR15/14BK		14		
3SR15/16BK		16		
3SR15/18BK		18		
3SR15/19BK		19		35
3SR15/20BK		20		36
3SR15/22BK		22		38
3SR15/24BK		24		42*
3SR15/25BK		25		
3SR16/12BK		16		12
3SR16/14BK	14			

Part No.	Z	D	H	d
3SR16/16BK	16	16	28	37
3SR16/18BK		18		
3SR16/19BK		19		
3SR16/20BK		20		
3SR16/22BK	17	22	28	37
3SR16/24BK		24		42
3SR16/25BK		25		
3SR17/12BK		12		28
3SR17/14BK	14			
3SR17/16BK	16			
3SR17/18BK	18			
3SR17/19BK	19			
3SR17/20BK	20			
3SR17/22BK	22			
3SR17/24BK	24			
3SR17/25BK	25	42		
3SR18/12BK	18	12	28	
3SR18/14BK		14		
3SR18/16BK		16		
3SR18/18BK		18		
3SR18/19BK		19		
3SR18/20BK		20		
3SR18/22BK		22		
3SR18/24BK		24		
3SR18/25BK	25			
3SR19/12BK	19	12	28	45
3SR19/14BK		14		
3SR19/16BK		16		
3SR19/18BK		18		
3SR19/19BK		19		
3SR19/20BK		20		
3SR19/22BK		22		
3SR19/24BK		24		

PRE-BORED SPROCKETS + KEY WAY & GRUB SCREWS



06B-1 (3SR) BORE + KEY WAY & 2 GRUB SCREWS continued

Part No.	Z	D	H	d
3SR19/25BK	19	25	28	45
3SR20/12BK	20	12	28	46
3SR20/14BK		14		
3SR20/16BK		16		
3SR20/18BK		18		
3SR20/19BK		19		
3SR20/20BK		20		
3SR20/22BK		22		
3SR20/24BK		24		
3SR20/25BK	25			
3SR21/16BK	21	16	28	48
3SR21/18BK		18		
3SR21/19BK		19		
3SR21/20BK		20		
3SR21/22BK		22		
3SR21/24BK		24		
3SR21/25BK		25		
3SR22/16BK		22		
3SR22/18BK	18			
3SR22/19BK	19			
3SR22/20BK	20			
3SR22/22BK	22			
3SR22/24BK	24			
3SR22/25BK	25			

Part No.	Z	D	H	d
3SR23/16BK	23	16	28	52
3SR23/18BK		18		
3SR23/19BK		19		
3SR23/20BK		20		
3SR23/22BK		22		
3SR23/24BK		24		
3SR23/25BK		25		
3SR24/16BK		24		
3SR24/18BK	18			
3SR24/19BK	19			
3SR24/20BK	20			
3SR24/22BK	22			
3SR24/24BK	24			
3SR24/25BK	25			
3SR25/16BK	25		16	28
3SR25/18BK		18		
3SR25/19BK		19		
3SR25/20BK		20		
3SR25/22BK		22		
3SR25/24BK		24		
3SR25/25BK		25		

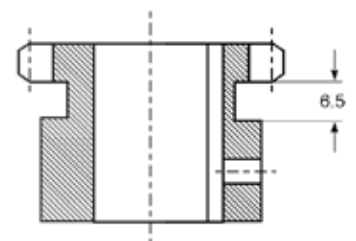
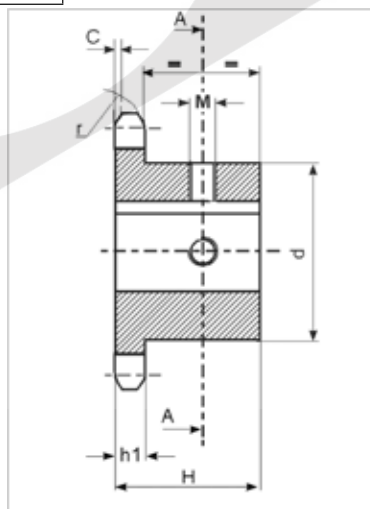
**08B Chain**  
**1/2" x 5/16"**

Pitch: 12.7mm  
Internal width : 7.8mm  
Roller dia: 8.5mm

**Sprocket**

Tooth radius r: 13mm  
Radius width C: 1.3mm  
Tooth width h1: 7.2mm  
Number of teeth: Z

With induction hardened teeth, key way is located on centre line of tooth



Version for size with \*

08B-1 (4SR) BORE + KEY WAY & 2 GRUB SCREWS

Part No.	Z	D	H	d
4SR10/12BK	10	12	25	26
4SR10/12BK		14		29
4SR10/12BK		16		31
4SR11/12BK	11	12	25	29
4SR11/14BK		14		

Part No.	Z	D	H	d
4SR11/16BK	11	16	25	31
4SR11/18BK		18		34
4SR11/19BK		19		35
4SR12/12BK	12	12	28	33
4SR12/14BK		14		

PRE-BORED SPROCKETS + KEY WAY & GRUB SCREWS



08B-1 (4SR) BORE + KEY WAY & 2 GRUB SCREWS continued

Part No.	Z	D	H	d	Part No.	Z	D	H	d		
4SR12/16BK	12	16	28	33	4SR16/24BK	16	24	28	50		
4SR12/18BK		18		4SR16/25BK	25						
4SR12/19BK		19		4SR16/28BK	28						
4SR12/20BK		20		4SR16/30BK	30						
4SR12/22BK		22		4SR16/32BK	32		53				
4SR12/24BK		24		41*	4SR17/16BK		17			16	28
4SR12/25BK		25		42*	4SR17/18BK	18					
4SR13/12BK		13		12	28	37		4SR17/19BK	19		
4SR13/12BK	14		4SR17/20BK	20							
4SR13/12BK	16		4SR17/22BK	22							
4SR13/12BK	18		4SR17/24BK	24							
4SR13/12BK	19		4SR17/25BK	25							
4SR13/12BK	20		4SR17/28BK	28							
4SR13/12BK	22		4SR17/30BK	30							
4SR13/12BK	24		42	4SR17/32BK		32					
4SR13/12BK	25		45*	4SR18/16BK		18	16	28	56		
4SR13/12BK	28		45*	4SR18/18BK			18				
4SR14/12BK	14		12	28			41			4SR18/19BK	19
4SR14/14BK			14				4SR18/20BK			20	
4SR14/16BK			16				4SR18/22BK			22	
4SR14/18BK			18				4SR18/24BK			24	
4SR14/19BK		19	4SR18/25BK		25						
4SR14/20BK		20	4SR18/28BK		28						
4SR14/22BK		22	4SR18/30BK		30						
4SR14/24BK		24	4SR18/32BK		32						
4SR14/25BK		25	4SR18/35BK		35						
4SR14/28BK		28	45		4SR18/38BK	38					
4SR15/12BK		15	12		28	45	4SR19/16BK	19	16	28	60
4SR15/14BK			14			4SR19/18BK	18				
4SR15/16BK	16		4SR19/19BK	19							
4SR15/18BK	18		4SR19/20BK	20							
4SR15/19BK	19		4SR19/22BK	22							
4SR15/20BK	20		4SR19/24BK	24							
4SR15/22BK	15	22	28	45	4SR19/25BK	25					
4SR15/24BK		24		4SR19/28BK	28						
4SR15/25BK		25		4SR19/30BK	30						
4SR15/28BK		28		4SR19/32BK	32						
4SR15/30BK		30		47	4SR19/35BK	35					
4SR15/32BK		32		49	4SR19/38BK	38					
4SR16/16BK		16		16	28	50	4SR20/16BK	20	16	28	64
4SR16/18BK				18		4SR20/18BK	18				
4SR16/19BK	19		4SR20/19BK	19							
4SR16/20BK	20		4SR20/20BK	20							
4SR16/22BK	22		4SR20/22BK	22							

PRE-BORED SPROCKETS + KEY WAY & GRUB SCREWS



08B-1 (4SR) BORE + KEY WAY & 2 GRUB SCREWS continued

Part No.	Z	D	H	d			
4SR20/24BK	20	24	28	64			
4SR20/25BK		25					
4SR20/28BK		28					
4SR20/30BK		30					
4SR20/32BK		32					
4SR20/35BK		35					
4SR20/38BK		38					
4SR21/16BK		21			16	28	68
4SR21/18BK	18						
4SR21/19BK	19						
4SR21/20BK	20						
4SR21/22BK	22						
4SR21/24BK	24						
4SR21/25BK	25						
4SR21/28BK	28						
4SR21/30BK	30						
4SR21/32BK	32						
4SR21/35BK	35						
4SR21/38BK	38						
4SR22/16BK	22		16	28	70		
4SR22/18BK			18				
4SR22/19BK		19					
4SR22/20BK		20					
4SR22/22BK		22					
4SR22/24BK		24					
4SR22/25BK		25					
4SR22/28BK		28					
4SR22/30BK		30					
4SR22/32BK		32					
4SR22/35BK		35					
4SR22/38BK		38					

Part No.	Z	D	H	d
4SR23/19BK	23	19	28	70
4SR23/20BK		20		
4SR23/22BK		22		
4SR23/24BK		24		
4SR23/25BK		25		
4SR23/28BK		28		
4SR23/30BK		30		
4SR23/32BK		32		
4SR23/35BK	35			
4SR23/38BK	38			
4SR24/19BK	24	19	28	70
4SR24/20BK		20		
4SR24/22BK		22		
4SR24/24BK		24		
4SR24/25BK		25		
4SR24/28BK		28		
4SR24/30BK		30		
4SR24/32BK		32		
4SR24/35BK		35		
4SR24/38BK		38		
4SR25/19BK	25	19	28	70
4SR25/20BK		20		
4SR25/22BK		22		
4SR25/24BK		24		
4SR25/25BK		25		
4SR25/28BK		28		
4SR25/30BK		30		
4SR25/32BK		32		
4SR25/35BK		35		
4SR25/38BK		38		



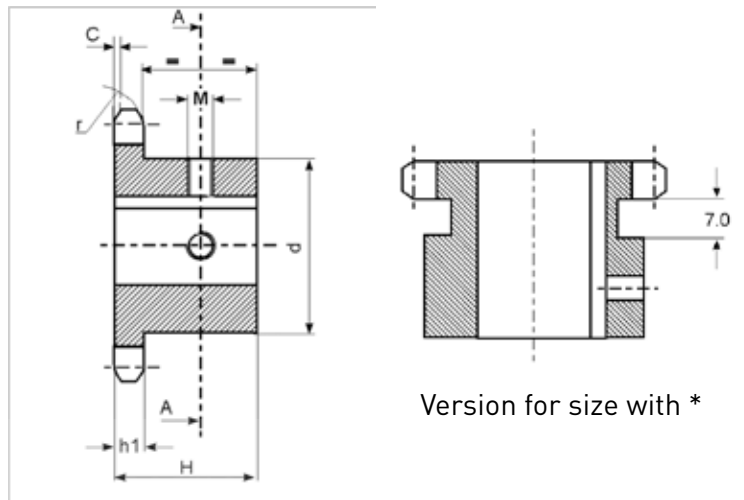
PRE-BORED SPROCKETS + KEYWAY & GRUB SCREWS



**10B Chain** Pitch: 15.875mm  
**5/8" x 3/8"** Internal width: 9.7mm  
Roller dia: 10mm

**Sprocket** Tooth radius r: 16mm  
Radius width C: 1.6mm  
Tooth width h1: 9.1mm  
Number of teeth: Z

With induction hardened teeth, key way is located on centre line of tooth



Version for size with \*

10B-1 (5SR) BORE + KEY WAY & 2 GRUB SCREWS

Part No.	Z	D	H	d	Part No.	Z	D	H	d			
5SR10/16BK	10	16	25	35	5SR14/16BK	14	16	30	52			
5SR10/19BK		19			5SR14/18BK		18					
5SR10/20BK		20			5SR14/19BK		19					
5SR10/24BK		24			42*		5SR14/20BK			20		
5SR11/16BK	11	16	30	40	5SR14/22BK		22					
5SR11/18BK		18			5SR14/24BK		24					
5SR11/19BK		19			5SR14/25BK		25					
5SR11/20BK		20			5SR14/28BK		28					
5SR11/24BK		24			5SR14/30BK		30					
5SR11/25BK		25			5SR14/32BK		32					
5SR11/28BK	28	5SR15/19BK	16	19	30		60					
5SR12/16BK	11	16		30						42	5SR15/20BK	20
5SR12/18BK		18		5SR15/22BK						22		
5SR12/19BK		19		5SR15/24BK						24		
5SR12/20BK		20		5SR15/25BK		25						
5SR12/22BK		22		5SR15/28BK		28						
5SR12/24BK		24		5SR15/30BK		30						
5SR12/25BK		25		44		5SR15/32BK		32				
5SR12/28BK		28		47		5SR15/35BK		35				
5SR12/30BK		30		49		5SR16/38BK		38				
5SR12/32BK		32	51	5SR17/19BK	17	19	30	60				
5SR13/16BK		13	16	30		47			5SR17/20BK	20		
5SR13/18BK			18						5SR17/22BK	22		
5SR13/19BK			19						5SR17/24BK	24		
5SR13/20BK			20						5SR17/25BK	25		
5SR13/22BK			22						5SR17/28BK	28		
5SR13/24BK			24						5SR17/30BK	30		
5SR13/25BK	25		5SR17/32BK						32			
5SR13/28BK	28		5SR17/35BK						35			
5SR13/30BK	30		49						5SR17/38BK	38		
5SR13/32BK	32		51		5SR18/19BK		18	19	30	70		

PRE-BORED SPROCKETS + KEY WAY & GRUB SCREWS



10B-1 (5SR) BORE + KEY WAY & 2 GRUB SCREWS continued

Part No.	Z	D	H	d	Part No.	Z	D	H	d							
5SR18/20BK	18	20	30	70	5SR21/38BK	21	38	30	70							
5SR18/22BK		22			40											
5SR18/24BK		24			42											
5SR18/25BK		25			22	30	80			5SR22/19BK	22	19				
5SR18/28BK		28								20						
5SR18/30BK		30								22						
5SR18/32BK		32								24						
5SR18/35BK		35								25						
5SR18/38BK		38								28						
5SR18/40BK		40								30						
5SR18/42BK		42								32						
5SR19/19BK		19								19		30	70	5SR22/30BK	22	30
5SR19/20BK										20				35		
5SR19/22BK	22		38													
5SR19/24BK	24		40													
5SR19/25BK	25		42													
5SR19/28BK	28		23	30	80	5SR22/32BK	22	32								
5SR19/30BK	30					35										
5SR19/32BK	32					38										
5SR19/35BK	35					40										
5SR19/38BK	38					42										
5SR19/40BK	40					19										
5SR19/42BK	42					20										
5SR20/19BK	20					19		30	75	5SR23/20BK	23			20		
5SR20/20BK		20				22										
5SR20/22BK		22				24										
5SR20/24BK		24				25										
5SR20/25BK		25	28													
5SR20/28BK		28	30													
5SR20/30BK		30	32													
5SR20/32BK		32	35													
5SR20/35BK		35	38													
5SR20/38BK		38	40													
5SR20/40BK		40	42													
5SR20/42BK		42	24	30	80	5SR23/30BK	24			30						
5SR21/19BK		21				19				30	75	5SR23/32BK	23	32		
5SR21/20BK	20					35										
5SR21/22BK	22					38										
5SR21/24BK	24					40										
5SR21/25BK	25					42										
5SR21/28BK	28					19										
5SR21/30BK	30					20										
5SR21/32BK	32					22										
5SR21/35BK	35					24										
						25										
			28													
			30													
			32													
		35														
		19														
		20														
		22														
		24														
		25														

PRE-BORED SPROCKETS + KEY WAY & GRUB SCREWS



10B-1 (5SR) BORE + KEY WAY & 2 GRUB SCREWS continued

Part No.	Z	D	H	d
5SR25/28BK	25	28	30	80
5SR25/30BK		30		
5SR25/32BK		32		
5SR25/35BK		35		

Part No.	Z	D	H	d
5SR25/38BK		38	30	80
5SR25/40BK		40		
5SR25/42BK		42		

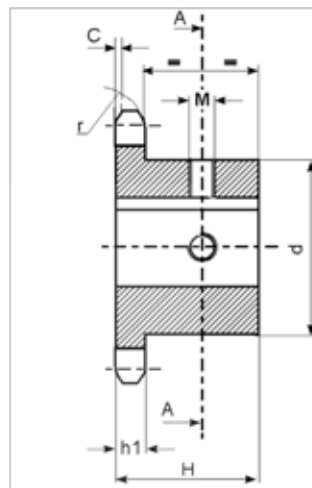
10B Chain  
5/8" x 3/8"

Pitch: 15.875mm  
Internal width: 9.7mm  
Roller dia: 10mm

With induction hardened teeth, key way is located on centre line of tooth

Sprocket

Tooth radius r: 16mm  
Radius width C: 1.6mm  
Tooth width h1: 9.1mm  
Number of teeth: Z



12B-1 (6SR) BORE - KEY WAY & 2 GRUB SCREWS

Part No.	Z	D	H	d			
6SR14/32BK	14	32	35	64			
6SR14/35BK		35					
6SR14/38BK		38					
6SR14/40BK		40		67			
6SR15/19BK	15	19	35	70			
6SR15/20BK		20					
6SR15/22BK		22					
6SR15/24BK		24					
6SR15/25BK		25					
6SR15/28BK		28					
6SR15/30BK		30					
6SR15/32BK		32					
6SR15/35BK		35					
6SR15/38BK		38					
6SR15/40BK		40					
6SR17/25BK		17			25	35	80
6SR17/28BK					28		
6SR17/30BK	30						
6SR17/32BK	32						
6SR17/35BK	35						
6SR17/38BK	38						
6SR17/40BK	40						
6SR17/42BK	42						
6SR18/25BK	18	25	35	80			
6SR18/28BK		28					
6SR18/30BK		30					

Part No.	Z	D	H	d
6SR18/32BK	18	32	35	80
6SR18/35BK		35		
6SR18/38BK		38		
6SR18/40BK		40		
6SR18/42BK		42		
6SR19/25BK		19		
6SR19/28BK	28			
6SR19/30BK	30			
6SR19/32BK	32			
6SR19/35BK	35			
6SR19/38BK	38			
6SR19/40BK	40			
6SR19/42BK	42			
6SR19/45BK	45			
6SR19/48BK	48			
6SR19/50BK	50			
6SR20/25BK	20	25	35	80
6SR20/28BK		28		
6SR20/30BK		30		
6SR20/32BK		32		
6SR20/35BK		35		
6SR20/38BK		38		
6SR20/40BK		40		
6SR20/42BK		42		
6SR20/45BK	45			
6SR20/48BK	48			



PRE-BORED SPROCKETS + KEY WAY & GRUB SCREWS



12B-1 (6SR) BORE - KEY WAY & 2 GRUB SCREWS continued

Part No.	Z	D	H	d			
6SR20/50BK	20	50	35	80			
6SR21/25BK	21	25	40	90			
6SR21/28BK		28					
6SR21/30BK		30					
6SR21/32BK		32					
6SR21/35BK		35					
6SR21/38BK		38					
6SR21/40BK		40					
6SR21/42BK		42					
6SR21/45BK		45					
6SR21/48BK		48					
6SR21/50BK		50					
6SR22/25BK		22			25	40	90
6SR22/28BK					28		
6SR22/30BK					30		
6SR22/32BK	32						
6SR22/35BK	35						
6SR22/38BK	38						
6SR22/40BK	40						
6SR22/42BK	42						
6SR22/45BK	45						
6SR22/48BK	48						
6SR22/50BK	50						
6SR23/25BK	23		25	40	90		
6SR23/28BK			28				
6SR23/30BK			30				
6SR23/32BK		32					
6SR23/35BK		35					
6SR23/35BK		35					

Part No.	Z	D	H	d
6SR23/38BK	23	38	40	90
6SR23/40BK		40		
6SR23/42BK		42		
6SR23/45BK		45		
6SR23/48BK		48		
6SR23/50BK		50		
6SR24/25BK		24		
6SR24/28BK	28			
6SR24/30BK	30			
6SR24/32BK	32			
6SR24/35BK	35			
6SR24/38BK	38			
6SR24/40BK	40			
6SR24/42BK	42			
6SR24/45BK	45			
6SR24/48BK	48			
6SR24/50BK	50			
6SR25/25BK	25	25	40	90
6SR25/28BK		28		
6SR25/30BK		30		
6SR25/32BK		32		
6SR25/35BK		35		
6SR25/38BK		38		
6SR25/40BK		40		
6SR25/42BK		42		
6SR25/45BK		45		
6SR25/48BK		48		
6SR25/50BK	50			

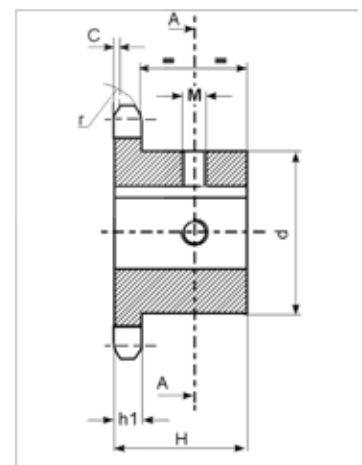
16B Chain  
1" x 17.02mm

Pitch : 25.4mm  
Internal width :17.02mm  
Roller dia: 15.88mm

Sprocket

Tooth radius r: 26mm  
Radius width C: 2.5mm  
Tooth width h1: 16.2mm  
Number of teeth: Z

With induction hardened teeth, key way is located on centre line of tooth



16B-1 (8SR) BORE - KEY WAY & 2 GRUB SCREWS

Part No.	Z	D	H	d
8SR11/25BK	11	25	40	61
8SR11/28BK		28		

Part No.	Z	D	H	d
8SR11/30BK	11	30	40	61
8SR11/32BK		32		

## PRE-BORED SPROCKETS + KEY WAY &amp; GRUB SCREWS



## 16B-1 (8SR) BORE - KEY WAY &amp; 2 GRUB SCREWS continued

Part No.	Z	D	H	d	Part No.	Z	D	H	d		
8SR11/35BK	11	35	40	61	8SR16/25BK	16	25	45	100		
8SR11/38BK		38		65	8SR16/28BK		28				
8SR11/40BK		40		67	8SR16/30BK		30				
8SR11/42BK		42		69	8SR16/32BK		32				
8SR12/25BK	12	25	40	69	8SR16/35BK		35				
8SR12/28BK		28		8SR16/38BK	38						
8SR12/30BK		30		8SR16/40BK	40						
8SR12/32BK		32		8SR16/42BK	42						
8SR12/35BK		35		8SR16/45BK	45						
8SR12/38BK		38		8SR16/48BK	48						
8SR12/40BK		40		8SR16/50BK	50						
8SR12/42BK		42		8SR17/25BK	17	25	45	100			
8SR13/25BK	13	25	40	78		8SR17/28BK			28		
8SR13/28BK		28		8SR17/30BK		30					
8SR13/30BK		30		8SR17/32BK		32					
8SR13/32BK		32		8SR17/35BK		35					
8SR13/35BK		35		8SR17/38BK		38					
8SR13/38BK		38		8SR17/40BK		40					
8SR13/40BK		40		8SR17/42BK		42					
8SR13/42BK		42		8SR17/45BK		45					
8SR13/45BK		45		8SR17/48BK		48					
8SR13/48BK		48		8SR17/50BK	50						
8SR13/50BK		50		82	8SR18/25BK	18	25	45	100		
8SR14/25BK		14		25	40		84			8SR18/28BK	28
8SR14/28BK				28			8SR18/30BK			30	
8SR14/30BK				30			8SR18/32BK			32	
8SR14/32BK	32		8SR18/35BK	35							
8SR14/35BK	35		8SR18/38BK	38							
8SR14/38BK	38		8SR18/40BK	40							
8SR14/40BK	40		8SR18/42BK	42							
8SR14/42BK	42		8SR18/45BK	45							
8SR14/45BK	45		8SR18/48BK	48							
8SR14/48BK	48		8SR18/50BK	50							
8SR14/50BK	50		8SR19/25BK	19		25	45	100			
8SR15/25BK	15		25			40			92	8SR19/28BK	28
8SR15/28BK		28	8SR19/30BK		30						
8SR15/30BK		30	8SR19/32BK		32						
8SR15/32BK		32	8SR19/35BK		35						
8SR15/35BK		35	8SR19/38BK		38						
8SR15/38BK		38	8SR19/40BK		40						
8SR15/40BK		40	8SR19/42BK		42						
8SR15/42BK		42	8SR19/45BK		45						
8SR15/45BK		45	8SR19/48BK		48						
8SR15/48BK		48	8SR19/50BK	50							
8SR15/50BK		50	8SR20/25BK	20	25		45	100			

PRE-BORED SPROCKETS + KEY WAY & GRUB SCREWS



16B-1 (8SR) BORE - KEY WAY & 2 GRUB SCREWS continued

Part No.	Z	D	H	d
8SR20/28BK	20	28	45	100
8SR20/30BK		30		
8SR20/32BK		32		
8SR20/35BK		35		
8SR20/38BK		38		
8SR20/40BK		40		
8SR20/42BK		42		
8SR20/45BK		45		
8SR20/48BK		48		
8SR20/50BK		50		
8SR21/25BK		21		
8SR21/28BK	28			
8SR21/30BK	30			
8SR21/32BK	32			
8SR21/35BK	35			
8SR21/38BK	38			
8SR21/40BK	40			
8SR21/42BK	42			
8SR21/45BK	45			
8SR21/48BK	48			
8SR21/50BK	50			
8SR22/25BK	22	25	50	110
8SR22/28BK		28		
8SR22/30BK		30		
8SR22/32BK		32		
8SR22/35BK		35		
8SR22/38BK		38		
8SR22/40BK		40		
8SR22/42BK		42		
8SR22/45BK		45		
8SR22/48BK		48		
8SR22/50BK		50		
8SR23/25BK	23	25	50	110

Part No.	Z	D	H	d
8SR23/28BK	23	28	50	110
8SR23/30BK		30		
8SR23/32BK		32		
8SR23/35BK		35		
8SR23/38BK		38		
8SR23/40BK		40		
8SR23/42BK		42		
8SR23/45BK		45		
8SR23/48BK		48		
8SR23/50BK		50		
8SR24/25BK		24		
8SR24/28BK	28			
8SR24/30BK	30			
8SR24/32BK	32			
8SR24/35BK	35			
8SR24/38BK	38			
8SR24/40BK	40			
8SR24/42BK	42			
8SR24/45BK	45			
8SR24/48BK	48			
8SR24/50BK	50			
8SR25/25BK	25	25	50	110
8SR25/28BK		28		
8SR25/30BK		30		
8SR25/32BK		32		
8SR25/35BK		35		
8SR25/38BK		38		
8SR25/40BK		40		
8SR25/42BK		42		
8SR25/45BK		45		
8SR25/48BK		48		
8SR25/50BK		50		