



V-PULLEYS



English



Español



Italiano



Deutsch



Français



Nederlands



Polskie

Engineering Data Taper Bore

40

Agujero cónico de los datos de ingeniería • Ingegneria dei dati Taper Bore
Technik Daten konische Bohrung • Alésage conique de données ingénierie
Pozostałe dane techniczne Taper Bore

V-Pulleys Taper Bore

42

Agujero cónico V-poleas • V-pulegge cono del foro • V-Riemenscheiben
konische Bohrung • Alésage conique V-poulies • V-riemerschijven Taper droeg
V- pasowe otwór stożkowy

Engineering Data Pilot Bore

65

Piloto de datos de ingeniería del alesaje • Ingegneria dei dati foro pilota
Technische Daten Pilotbohrung • Pilote de données d'ingénierie d'alésage
Technische gegevens pilotot boring • Średnica Inżynieria danych Pilot

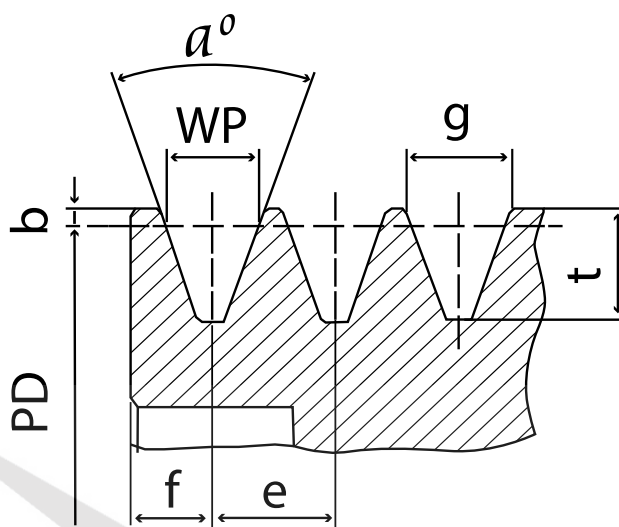
V-Pulleys Pilot Bore

67

Agujero piloto V-poleas • V-pulegge foro pilota • V-Riemenscheiben
Pilotbohrung • V-poulies alésage pilote • V-riemerschijven pilotot boring
Średnica koła pasowe V- Pilot



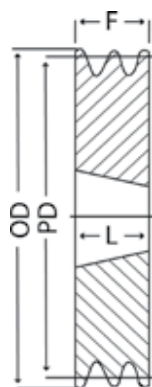
ENGINEERING DATA V-PULLEYS TAPER BORE



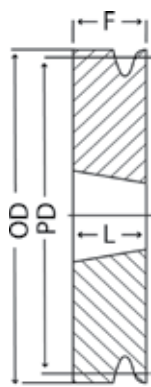
DIMENSIONS OF V-PULLEYS TAPER BORE

Groove Profile	WP	b	t	e	f	PD	Angle a° (mm)	g (mm)
SPZ	8.5	2.0	11.0	12±0.3	8.0±0.6	≤80	34±1	9.72
						>80	38±1	9.88
SPA	11.0	2.8	13.8	15±0.3	10.0±0.6	≤118	34±1	12.68
						>118	38±1	12.89
SPB	14.0	3.5	17.5	19±0.4	12.5±0.8	≤190	34±1	16.14
						>190	38±1	16.41
SPC	19.0	4.8	23.8	25.5±0.5	17.0±1	≤315	34±0.5	21.94
						>315	38±0.5	22.31

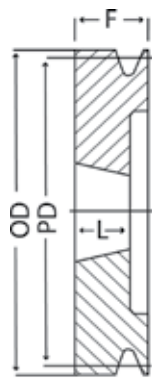
V-PULLEYS TYPES TAPER BORE



Type 1



Type 2



Type 3

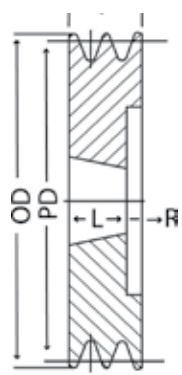


Type 4

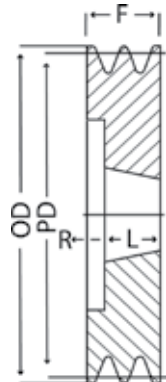
V-PULLEYS



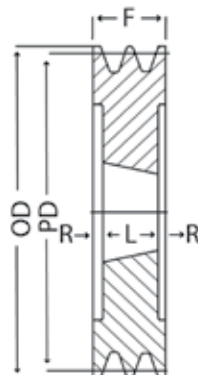
V-PULLEYS TYPES TAPER BORE continued



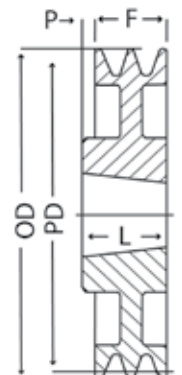
Type 5



Type 6



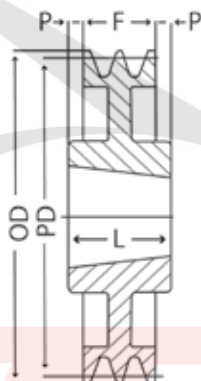
Type 7



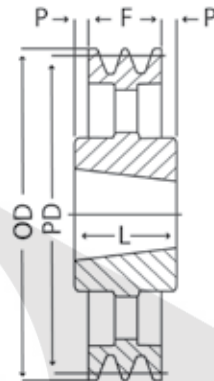
Type 8



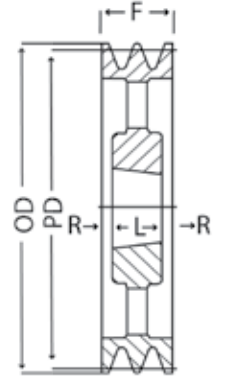
Type 9



Type 10



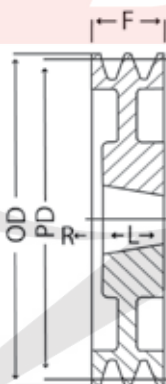
Type 11



Type 12



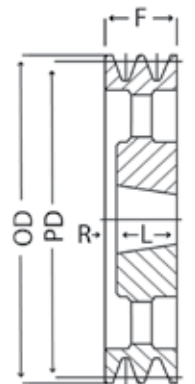
Type 13



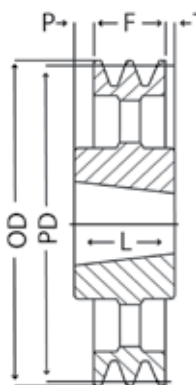
Type 15



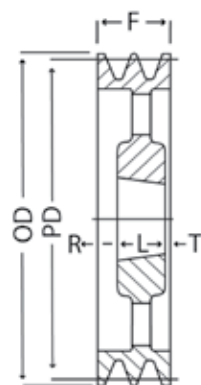
Type 15 - 1



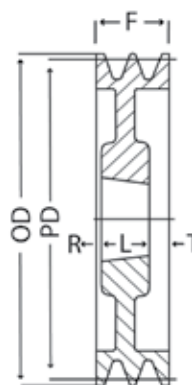
Type 16



Type 17



Type 18



Type 19

V-PULLEYS TAPER BORE



V PULLEYS



V-PULLEYS TAPER BORE

Description

Dunlop V-pulleys are manufactured from cast iron EN-GJL-200 UNI EN1561 and are black phosphated according to ISO 4183 and DIN 2211-3 norms. All pulleys are statically balanced for peripheral speeds up to 35 m/sec.

V-Pulleys are available to suit all V & wedge belts cross sections Z, A, B, C, SPZ, SPA, SPB & SPC and are available from stock in both taper and pilot bore options.

Part numbers are identified by 3 letters (e.g. SPA) which represents the belt cross section, a 3 or 4 digit number (e.g. 250) the pulleys pitch diameter and a 1 or 2 digit number (e.g. 3) the number of grooves/belts to be run in the drive, for example SPA250/3.

SPZ - SECTION

Part No.	Type	Bush No.	PD (mm)	OD (mm)	Dimensions (mm)			
					F	L	R	P
SPZ 50 X 1	3	1008	50	54	38	24	14	-
SPZ 50 X 2	3	1008	50	54	50	24	26	-
SPZ 56 X 1	3	1008	56	60	37	24	13	-
SPZ 56 X 2	3	1008	56	60	49	24	25	-
SPZ 56 X 3	3	1108	56	60	61	23	38	-
SPZ 60 X 1	2	1008	60	64	22	22	-	-
SPZ 60 X 2	3	1108	60	64	49	22	27	-
SPZ 60 X 3	3	1108	60	64	61	23	38	-
SPZ 63 X 1	4	1108	63	67	16	22	-	-
SPZ 63 X 2	5	1108	63	67	28	22	6	-
SPZ 63 X 3	5	1108	63	67	40	22	18	-
SPZ 63 X 4	5	1108	63	67	52	22	30	-
SPZ 67 X 1	4	1108	67	71	16	22	-	-
SPZ 67 X 2	5	1108	67	71	28	22	6	-
SPZ 67 X 3	5	1108	67	71	40	22	18	-
SPZ 67 X 4	5	1108	67	71	52	22	30	-
SPZ 71 X 1	4	1108	71	75	16	22	-	-
SPZ 71 X 2	5	1108	71	75	28	22	6	-
SPZ 71 X 3	5	1108	71	75	40	22	18	-
SPZ 71 X 4	5	1108	71	75	52	22	30	-
SPZ 71 X 5	5	1108	71	75	64	22	42	-
SPZ 75 X 1	4	1108	75	79	16	22	-	-
SPZ 75 X 2	5	1210	75	79	28	25	3	-
SPZ 75 X 3	5	1210	75	79	40	25	15	-
SPZ 75 X 4	5	1210	75	79	52	25	27	-
SPZ 80 X 1	4	1210	80	84	16	25	-	-
SPZ 80 X 2	5	1210	80	84	28	25	3	-
SPZ 80 X 3	5	1210	80	84	40	25	15	-
SPZ 80 X 4	5	1210	80	84	42	25	27	-
SPZ 85 X 1	5	1610	85	89	28	25	3	-
SPZ 85 X 2	5	1610	85	89	40	25	15	-
SPZ 85 X 3	5	1610	85	89	52	25	27	-
SPZ 85 X 4	5	1610	85	89	64	25	39	-

V-PULLEYS TAPER BORE



SPZ - SECTION continued

Part No.	Type	Bush No.	PD (mm)	OD (mm)	Dimensions (mm)			
					F	L	R	P
SPZ 90 X 1	4	1210	90	94	16	25	-	-
SPZ 90 X 2	5	1610	90	94	28	25	3	-
SPZ 90 X 3	5	1610	90	94	40	25	15	-
SPZ 90 X 4	5	1610	90	94	52	25	27	-
SPZ 90 X 5	5	1610	90	94	64	25	39	-
SPZ 90 X 6	5	1610	90	94	76	25	51	-
SPZ 95 X 1	4	1210	95	99	16	25	-	-
SPZ 95 X 2	5	1610	95	99	28	25	3	-
SPZ 95 X 3	5	1610	95	99	40	25	15	-
SPZ 95 X 4	5	1610	95	99	52	25	27	-
SPZ 95 X 5	5	1610	95	99	64	25	39	-
SPZ 95 X 6	5	1610	95	99	76	25	51	-
SPZ 100 X 1	4	1210	100	104	16	5	-	-
SPZ 100 X 2	5	1610	100	104	28	25	3	-
SPZ 100 X 3	5	1610	100	104	40	25	15	-
SPZ 100 X 4	5	1610	100	104	52	25	27	-
SPZ 100 X 5	5	2012	100	104	64	32	32	-
SPZ 100 X 6	5	2012	100	104	76	32	44	-
SPZ 106 X 1	4	1610	106	110	16	25	-	-
SPZ 106 X 2	5	1610	106	110	28	25	3	-
SPZ 106 X 3	5	1610	106	110	40	25	15	-
SPZ 106 X 4	5	1610	106	110	52	25	27	-
SPZ 106 X 5	5	2012	106	110	64	32	32	-
SPZ 106 X 6	5	2012	106	110	76	32	44	-
SPZ 112 X 1	4	1610	112	116	16	25	-	-
SPZ 112 X 2	5	1610	112	116	28	25	3	-
SPZ 112 X 3	5	2012	112	116	40	32	8	-
SPZ 112 X 4	5	2012	112	116	52	32	20	-
SPZ 112 X 5	5	2012	112	116	64	32	32	-
SPZ 112 X 6	5	2012	112	116	76	32	44	-
SPZ 118 X 1	4	1610	118	122	16	25	-	-
SPZ 118 X 2	5	1610	118	122	28	25	3	-
SPZ 118 X 3	5	2012	118	122	40	32	8	-
SPZ 118 X 5	5	2012	118	122	64	32	32	-
SPZ 118 X 6	5	2517	118	122	76	45	31	-
SPZ 125 X 1	4	1610	125	129	16	25	-	-
SPZ 125 X 2	5	1610	125	129	28	25	3	-
SPZ 125 X 3	6	2012	125	129	40	32	8	-
SPZ 125 X 4	6	2012	125	129	52	32	20	-
SPZ 125 X 5	5	2012	125	129	64	32	32	-
SPZ 125 X 6	5	2517	125	129	76	45	31	-
SPZ 132 X 1	4	1610	132	136	16	25	-	-
SPZ 132 X 2	5	1610	132	136	28	25	3	-
SPZ 132 X 3	6	2012	132	136	40	32	8	-
SPZ 132 X 4	6	2012	132	136	52	32	20	-
SPZ 132 X 5	5	2517	132	136	64	45	19	-

V-PULLEYS TAPER BORE



SPZ - SECTION continued

Part No.	Type	Bush No.	PD (mm)	OD (mm)	Dimensions (mm)			
					F	L	R	P
SPZ 132 X 6	5	2517	132	136	76	45	31	-
SPZ 132 X 8	7	2517	132	136	100	45	27.5	-
SPZ 140 X 1	8	1610	140	144	16	25	-	9
SPZ 140 X 2	5	1610	140	144	28	25	3	-
SPZ 140 X 3	6	2012	140	144	40	32	8	-
SPZ 140 X 4	6	2012	140	144	52	32	20	-
SPZ 140 X 5	6	2517	140	144	64	45	19	-
SPZ 140 X 6	6	2517	140	144	76	45	31	-
SPZ 140 X 8	7	2517	140	144	100	45	27.5	-
SPZ 150 X 1	8	1610	150	154	16	25	-	9
SPZ 150 X 2	4	2012	150	154	28	32	-	
SPZ 150 X 3	6	2012	150	154	40	32	8	
SPZ 150 X 4	6	2517	150	154	52	45	7	
SPZ 150 X 5	6	2517	150	154	64	45	19	
SPZ 150 X 6	6	2517	150	154	76	45	31	
SPZ 150 X 8	7	2517	150	154	100	45	27.5	
SPZ 160 X 1	8	1610	160	164	16	25	-	9
SPZ 160 X 2	8	2012	160	164	28	32	-	4
SPZ 160 X 3	6	2012	160	164	40	32	8	-
SPZ 160 X 4	6	2517	160	164	52	45	7	-
SPZ 160 X 5	6	2517	160	164	64	45	19	-
SPZ 160 X 6	6	2517	160	164	76	45	31	-
SPZ 160 X 8	7	2517	160	164	100	45	27.5	-
SPZ 170 X 1	8	1610	170	174	16	25	-	9
SPZ 170 X 2	8	2012	170	174	28	32	-	4
SPZ 170 X 3	7	2012	170	174	40	32	4	-
SPZ 170 X 4	6	2517	170	174	52	45	7	-
SPZ 170 X 5	6	2517	170	174	64	45	19	-
SPZ 170 X 6	6	2517	170	174	76	45	31	-
SPZ 180 X 1	8	1610	180	184	16	25	-	9
SPZ 180 X 2	8	2012	180	184	28	32	-	4
SPZ 180 X 3	15	2012	180	184	40	32	8	-
SPZ 180 X 4	6	2517	180	184	52	45	7	-
SPZ 180 X 5	6	2517	180	184	64	45	19	-
SPZ 180 X 6	7	2517	180	184	76	45	15.5	-
SPZ 180 X 8	7	2517	180	184	100	45	27.5	-
SPZ 190 X 1	8	1610	190	194	16	25	-	9
SPZ 190 X 2	8	2012	190	194	28	32	-	4
SPZ 190 X 3	9	2012	190	194	40	32	4	-
SPZ 190 X 4	9	2517	190	194	52	45	3.5	-
SPZ 190 X 5	9	2517	190	194	64	45	9.5	-
SPZ 190 X 6	9	2517	190	194	76	45	15.5	-
SPZ 200 X 1	8	2012	200	204	16	32	-	16
SPZ 200 X 2	8	2012	200	204	28	32	-	4
SPZ 200 X 3	9	2012	200	204	40	32	4	-
SPZ 200 X 4	9	2517	200	204	52	45	3.5	-

V-PULLEYS TAPER BORE



SPZ - SECTION continued

Part No.	Type	Bush No.	PD (mm)	OD (mm)	Dimensions (mm)			
					F	L	R	P
SPZ 200 X 5	9	2517	200	204	52	45	3.5	-
SPZ 200 X 6	9	2517	200	204	76	45	15.5	-
SPZ 200 X 8	7	3020	200	204	100	51	24.5	-
SPZ 212 X 1	8	2012	212	216	16	32	-	16
SPZ 212 X 2	8	2012	212	216	28	32	-	4
SPZ 212 X 3	9	2012	212	216	40	32	4	-
SPZ 212 X 4	9	2517	212	216	52	45	3.5	-
SPZ 212 X 5	9	2517	212	216	64	45	9.5	-
SPZ 212 X 6	9	2517	212	216	76	45	15.5	-
SPZ 224 X 1	13	2012	224	228	16	32	-	16
SPZ 224 X 2	13	2012	224	228	28	32	-	4
SPZ 224 X 3	9	2012	224	228	40	32	4	-
SPZ 224 X 4	9	2517	224	228	52	45	3.5	-
SPZ 224 X 5	9	2517	224	228	64	45	9.5	-
SPZ 224 X 6	9	2517	224	228	76	45	15.5	-
SPZ 224 X 8	7	3020	224	228	100	51	24.5	-
SPZ 250 X 1	11	2012	250	254	16	32	-	8
SPZ 250 X 2	11	2012	250	254	28	32	-	2
SPZ 250 X 3	12	2012	250	254	40	32	4	-
SPZ 250 X 4	9	2517	250	254	52	45	3.5	-
SPZ 250 X 5	9	2517	250	254	64	45	9.5	-
SPZ 250 X 6	9	2517	250	254	76	45	15.5	-
SPZ 280 X 1	11	2012	280	284	16	32	-	8
SPZ 280 X 2	11	2012	280	284	28	32	-	2
SPZ 280 X 3	11	2517	280	284	40	45	-	2.5
SPZ 280 X 4	12	2517	280	284	52	45	3.5	-
SPZ 280 X 5	12	2517	280	284	64	45	9.5	-
SPZ 280 X 6	12	2517	280	284	76	45	15.5	-
SPZ 315 X 1	11	2012	315	319	16	32	-	8
SPZ 315 X 2	11	2012	315	319	28	32	-	2
SPZ 315 X 3	11	2517	315	319	40	45	-	2.5
SPZ 315 X 4	12	2517	315	319	52	45	3.5	-
SPZ 315 X 5	12	2517	315	319	64	45	9.5	-
SPZ 315 X 6	12	2517	315	319	76	45	15.5	-
SPZ 355 X 1	11	2012	355	359	16	32	-	8
SPZ 355 X 2	11	2012	355	359	28	32	-	2
SPZ 355 X 3	11	2517	355	359	40	45	-	2.5
SPZ 355 X 4	12	2517	355	359	52	45	3.5	-
SPZ 355 X 5	12	2517	355	359	64	45	9.5	-
SPZ 355 X 6	12	2517	355	359	76	45	15.5	-
SPZ 400 X 1	11	2012	400	404	16	32	-	8
SPZ 400 X 2	11	2517	400	404	28	45	-	8.5
SPZ 400 X 3	11	2517	400	404	40	45	-	2.5
SPZ 400 X 4	12	2517	400	404	52	45	3.5	-
SPZ 400 X 5	12	3020	400	404	64	51	6.5	-
SPZ 400 X 6	11	3030	400	404	76	76	-	0

V-PULLEYS TAPER BORE



SPZ - SECTION continued

Part No.	Type	Bush No	PD (mm)	OD (mm)	Dimensions (mm)			
					F	L	R	P
SPZ 400 X 6 — R	12	3020	400	404	76	51	12.5	-
SPZ 450 X 2	11	2517	450	454	28	-	-	8.5
SPZ 450 X 3	11	2517	450	454	40	-	-	2.5
SPZ 450 X 4	12	3020	450	454	52	-	0.5	-
SPZ 450 X 5	12	3020	450	454	64	-	6.5	-
SPZ 450 X 6	11	3030	450	454	76	-	-	-
SPZ 450 X 6 — R	12	3020	450	454	76	-	12.5	-
SPZ 500 X 2	11	2517	500	504	28	45	-	8.5
SPZ 500 X 3	11	2517	500	504	40	45	-	2.5
SPZ 500 X 4	12	3020	500	504	52	51	0.5	-
SPZ 500 X 5	11	3030	500	504	64	76	-	6
SPZ 500 X 5 — R	12	3020	500	504	64	51	6.5	-
SPZ 500 X 6	11	3030	500	504	76	76	-	0
SPZ 500 X 6 — R	12	3020	500	504	76	51	12.5	-
SPZ 500 X 8	12	3535	500	504	100	89	5.5	-
SPZ 560 X 3	13	2517	560	564	40	45	-	5
SPZ 560 X 4	12	3020	560	564	52	51	0.5	-
SPZ 560 X 5	11	3030	560	564	64	76	-	6
SPZ 630 X 2	11	3020	630	634	28	51	-	11.5
SPZ 630 X 3	11	3020	630	634	40	51	-	5.5
SPZ 630 X 4	11	3030	630	634	52	76	-	12
SPZ 630 X 4 — R	12	3020	630	634	52	51	0.5	-
SPZ 630 X 5	11	3030	630	634	64	76	-	6
SPZ 630 X 6	11	3535	630	634	76	89	-	6.5
SPZ 800 X 3	11	3020	800	804	40	51	-	5.5
SPZ 800 X 4	11	3030	800	804	52	76	-	12

SPA - SECTION

Part No.	Type	Bush No.	PD (mm)	OD (mm)	Dimensions (mm)			
					F	L	R	P
SPA 63 X 1	4	1008	63	68.6	20	22	-	-
SPA 63 X 2	5	1008	63	68.6	35	22	13	-
SPA 67 X 1	4	1108	67	72.6	20	22	-	-
SPA 67 X 2	5	1108	67	72.6	35	22	13	-
SPA 71 X 1	4	1108	71	76.6	20	22	-	-
SPA 71 X 2	5	1108	71	76.6	35	22	13	-
SPA 71 X 3	5	1108	71	76.6	50	22	28	-
SPA 75 X 1	4	1108	75	80.6	20	22	-	-
SPA 75 X 2	5	1108	75	80.6	35	22	13	-
SPA 75 X 3	5	1108	75	80.6	50	22	28	-
SPA 80 X 1	4	1210	80	85.6	20	25	-	-
SPA 80 X 2	5	1210	80	85.6	35	25	10	-
SPA 80 X 3	5	1210	80	85.6	50	25	25	-
SPA 80 X 4	5	1215	80	85.6	65	38	27	-
SPA 80 X 4 — R	5	1210	80	85.6	65	25	40	-

V-PULLEYS TAPER BORE



SPA - SECTION

Part No.	Type	Bush No.	PD (mm)	OD (mm)	Dimensions (mm)			
					F	L	R	P
SPA 85 X 1	4	1210	85	90.6	20	25	-	-
SPA 85 X 2	5	1210	85	90.6	35	25	10	-
SPA 85 X 3	5	1210	85	90.6	50	25	25	-
SPA 85 X 4	5	1215	85	90.6	65	38	27	-
SPA 85 X 4 — R	5	1210	85	90.6	65	25	40	-
SPA 90 X 1	4	1210	90	95.6	20	25	-	5
SPA 90 X 2	5	1610	90	95.6	35	25	10	-
SPA 90 X 3	5	1610	90	95.6	50	25	25	-
SPA 90 X 4	5	1615	90	95.6	65	38	27	-
SPA 90 X 4 — R	5	1610	90	95.6	65	25	40	-
SPA 90 X 5	5	1615	90	95.6	80	38	42	-
SPA 95 X 1	4	1210	95	100.6	20	25	-	-
SPA 95 X 2	5	1610	95	100.6	35	25	10	-
SPA 95 X 3	5	1610	95	100.6	50	25	25	-
SPA 95 X 4	5	1615	95	100.6	65	38	27	-
SPA 95 X 5	5	1615	95	100.6	80	38	42	-
SPA 100 X 1	4	1610	100	105.6	20	25	-	-
SPA 100 X 2	5	1610	100	105.6	35	25	10	-
SPA 100 X 3	6	1610	100	105.6	50	25	25	-
SPA 100 X 4	6	1615	100	105.6	65	38	27	-
SPA 100 X 5	6	1615	100	105.6	80	38	42	-
SPA 100 X 6	7	1610	100	105.6	95	25	35	-
SPA 106 X 1	4	1610	106	111.6	20	25	-	-
SPA 106 X 2	5	1610	106	111.6	35	25	10	-
SPA 106 X 3	6	1610	106	111.6	50	25	25	-
SPA 106 X 4	5	2012	106	111.6	65	32	33	-
SPA 106 X 5	5	2012	106	111.6	80	32	48	-
SPA 106 X 6	5	2012	106	111.6	95	32	63	-
SPA 112 X 1	4	1610	112	117.6	20	25	-	-
SPA 112 X 2	5	1610	112	117.6	35	25	10	-
SPA 112 X 3	5	2012	112	117.6	50	32	18	-
SPA 112 X 4	5	2012	112	117.6	65	32	33	-
SPA 112 X 5	5	2012	112	117.6	80	32	48	-
SPA 112 X 6	5	2012	112	117.6	95	32	63	-
SPA 118 X 1	4	1610	118	123.6	20	25	-	-
SPA 118 X 2	5	1610	118	123.6	35	25	10	-
SPA 118 X 3	6	2012	118	123.6	50	32	18	-
SPA 118 X 4	6	2012	118	123.6	65	32	33	-
SPA 118 X 5	6	2012	118	123.6	80	32	48	-
SPA 118 X 6	5	2012	118	123.6	95	32	63	-
SPA 125 X 1	4	1610	125	130.6	20	25	-	-
SPA 125 X 2	5	1610	125	130.6	35	25	10	-
SPA 125 X 3	6	2012	125	130.6	50	32	18	-
SPA 125 X 4	6	2012	125	130.6	65	32	33	-
SPA 125 X 5	7	2012	125	130.6	80	32	24	-
SPA 125 X 6	7	2012	125	130.6	95	32	31.5	-

V-PULLEYS TAPER BORE



SPA - SECTION continued

Part No.	Type	Bush No.	PD (mm)	OD (mm)	Dimensions (mm)			
					F	L	R	P
SPA 132 X 1	4	1610	132	137.6	20	25	-	-
SPA 132 X 2	5	2012	132	137.6	35	32	3	-
SPA 132 X 3	6	2012	132	137.6	50	32	18	-
SPA 132 X 4	6	2517	132	137.6	65	45	20	-
SPA 132 X 5	7	2517	132	137.6	80	45	17.5	-
SPA 132 X 6	7	2517	132	137.6	95	45	25	-
SPA 140 X 1	4	1610	140	145.6	20	25	-	-
SPA 140 X 2	5	2012	140	145.6	35	32	3	-
SPA 140 X 3	5	2517	140	145.6	50	45	5	-
SPA 140 X 4	6	2517	140	145.6	65	45	20	-
SPA 140 X 5	7	2517	140	145.6	80	45	17.5	-
SPA 140 X 6	7	2517	140	145.6	95	45	25	-
SPA 150 X 1	8	1610	150	155.6	20	25	-	5
SPA 150 X 2	5	2012	150	155.6	35	32	3	-
SPA 150 X 3	5	2517	150	155.6	50	45	5	-
SPA 150 X 4	6	2517	150	155.6	65	45	20	-
SPA 150 X 5	7	2517	150	155.6	80	45	17.5	-
SPA 150 X 6	7	2517	150	155.6	95	45	25	-
SPA 160 X 1	8	1610	160	165.6	20	25	-	5
SPA 160 X 2	5	2012	160	165.6	35	32	3	-
SPA 160 X 3	5	2517	160	165.6	50	45	5	-
SPA 160 X 4	6	2517	160	165.6	65	45	20	-
SPA 170 X 1	8	1610	170	175.6	20	25	-	5
SPA 170 X 2	15-1	2012	170	175.6	35	32	3	-
SPA 170 X 3	5	2517	170	175.6	50	45	5	-
SPA 170 X 4	6	2517	170	175.6	65	45	20	-
SPA 170 X 5	7	2517	170	175.6	80	45	17.5	-
SPA 170 X 6	7	2517	170	175.6	95	45	25	-
SPA 180 X 1	8	1610	180	185.6	20	25	-	5
SPA 180 X 2	9	2012	180	185.6	35	32	1.5	-
SPA 180 X 3	5	2517	180	185.6	50	45	5	-
SPA 180 X 4	6	2517	180	185.6	65	45	20	-
SPA 180 X 5	7	3020	180	185.6	80	51	14.5	-
SPA 180 X 6	7	3020	180	185.6	95	51	22	-
SPA 190 X 1	8	1610	190	195.6	20	25	-	5
SPA 190 X 2	15	2012	190	195.6	35	32	3	-
SPA 190 X 3	5	2517	190	195.6	50	45	5	-
SPA 190 X 4	6	2517	190	195.6	65	45	20	-
SPA 190 X 5	6	3020	190	195.6	80	51	29	-
SPA 190 X 6	7	3020	190	195.6	95	51	22	-
SPA 200 X 1	8	2012	200	205.6	20	32	-	12
SPA 200 X 2	10	2517	200	205.6	35	45	-	5
SPA 200 X 3	9	2517	200	205.6	50	45	2.5	-
SPA 200 X 4	6	3020	200	205.6	65	51	14	-
SPA 200 X 5	7	3020	200	205.6	80	51	14.5	-
SPA 200 X 6	7	3020	200	205.6	95	51	22	-

V-PULLEYS TAPER BORE



SPA - SECTION continued

Part No.	Type	Bush No.	PD (mm)	OD (mm)	Dimensions (mm)			
					F	L	R	P
SPA 212 X 1	8	2012	212	217.6	20	32	-	-
SPA 212 X 2	8	2517	212	217.6	35	45	-	-
SPA 212 X 3	9	2517	212	217.6	50	45	2.5	-
SPA 212 X 4	6	3020	212	217.6	65	51	14	-
SPA 212 X 5	6	3020	212	217.6	80	51	29	-
SPA 212 X 6	7	3020	212	217.6	95	51	22	-
SPA 224 X 1	13	2012	224	229.6	20	32	-	12
SPA 224 X 2	13	2517	224	229.6	35	45	-	10
SPA 224 X 3	12	2517	224	229.6	50	45	2.5	-
SPA 224 X 4	6	3020	224	229.6	65	51	14	-
SPA 224 X 5	6	3020	224	229.6	80	51	29	-
SPA 224 X 6	7	3020	224	229.6	95	51	22	-
SPA 236 X 1	13	2012	236	241.6	20	32	-	12
SPA 236 X 2	13	2517	236	241.6	35	45	-	10
SPA 236 X 3	12	2517	236	241.6	50	45	2.5	-
SPA 236 X 4	9	3020	236	241.6	65	51	7	-
SPA 236 X 5	9	3020	236	241.6	80	51	14.5	-
SPA 236 X 6	9	3020	236	241.6	95	51	22	-
SPA 250 X 1	11	2012	250	255.6	20	32	-	6
SPA 250 X 2	11	2517	250	255.6	35	45	-	5
SPA 250 X 3	12	2517	250	255.6	50	45	2.5	-
SPA 250 X 4	9	3020	250	255.6	65	51	7	-
SPA 250 X 5	9	3020	250	255.6	80	51	14.5	-
SPA 250 X 6	9	3020	250	255.6	95	51	22	-
SPA 280 X 1	13	2012	280	285.6	20	32	-	12
SPA 280 X 2	13	2517	280	285.6	35	45	-	10
SPA 280 X 3	12	2517	280	285.6	50	45	2.5	-
SPA 280 X 4	12	3020	280	285.6	65	51	7	-
SPA 280 X 5	10	3535	280	285.6	80	89	-	4.5
SPA 280 X 5 — R	9	3525	280	285.6	80	65	7.5	-
SPA 280 X 6	9	3535	280	285.6	95	89	3	-
SPA 280 X 6 — R	9	3525	280	285.6	95	65	15	-
SPA 300 X 1	13	2012	300	305.6	20	32	-	12
SPA 300 X 2	13	2517	300	305.6	35	45	-	10
SPA 300 X 3	13	3020	300	305.6	50	51	-	1
SPA 300 X 4	12	3020	300	305.6	65	51	7	-
SPA 300 X 5	8	3535	300	305.6	80	89	-	9
SPA 300 X 5 — R	9	3525	300	305.6	80	65	7.5	-
SPA 300 X 6	9	3535	300	305.6	95	89	3	-
SPA 300 X 6 — R	9	3525	300	305.6	95	65	15	-
SPA 315 X 1	13	2012	315	320.6	20	32	-	12
SPA 315 X 2	13	2517	315	320.6	35	45	-	10
SPA 315 X 3	11	3020	315	320.6	50	51	-	0.5
SPA 315 X 4	12	3020	315	320.6	65	51	7	-
SPA 315 X 5	10	3535	315	320.6	80	89	-	4.5

V-PULLEYS TAPER BORE



SPA - SECTION continued

Part No.	Type	Bush No.	PD (mm)	OD (mm)	Dimensions (mm)			
					F	L	R	P
SPA 315 X 5 — R	9	3525	315	320.6	80	65	7.5	-
SPA 315 X 6	9	3535	315	320.6	95	89	3	-
SPA 315 X 6 — R	9	3525	315	320.6	95	65	15	-
SPA 355 X 1	13	2012	355	360.6	20	32	-	12
SPA 355 X 2	13	2517	355	360.6	35	45	-	10
SPA 355 X 3	11	3020	355	360.6	50	51	-	0.5
SPA 355 X 4	12	3020	355	360.6	65	51	7	-
SPA 355 X 5	11	3535	355	360.6	80	89	-	4.5
SPA 355 X 5 — R	12	3525	355	360.6	80	65	7.5	-
SPA 355 X 6	12	3535	355	360.6	95	89	3	-
SPA 355 X 6 — R	12	3525	355	360.6	95	65	15	-
SPA 400 X 1	13	2012	400	405.6	20	32	-	12
SPA 400 X 2	13	2517	400	405.6	35	45	-	10
SPA 400 X 3	13	3020	400	405.6	50	51	-	1
SPA 400 X 4	12	3020	400	405.6	65	51	7	-
SPA 400 X 5	11	3535	400	405.6	80	89	-	4.5
SPA 400 X 5 — R	12	3525	400	405.6	80	65	7.5	-
SPA 400 X 6	12	3535	400	405.6	95	89	3	-
SPA 400 X 6 — R	12	3525	400	405.6	95	65	15	-
SPA 450 X 1	13	2012	450	455.6	20	32	-	12
SPA 450 X 2	13	2517	450	455.6	35	45	-	10
SPA 450 X 3	13	3020	450	455.6	50	51	-	1
SPA 450 X 4	12	3020	450	455.6	65	51	7	-
SPA 450 X 5	11	3535	450	455.6	80	89	-	4.5
SPA 450 X 5 — R	12	3525	450	455.6	80	65	7.5	-
SPA 450 X 6	12	3535	450	455.6	95	89	3	-
SPA 450 X 6 — R	12	3525	450	455.6	95	65	15	-
SPA 500 X 1	13	2517	500	505.6	20	45	-	25
SPA 500 X 2	13	2517	500	505.6	35	45	-	10
SPA 500 X 3	13	3020	500	505.6	50	51	-	1
SPA 500 X 4	12	3020	500	505.6	65	51	7	-
SPA 500 X 5	11	3535	500	505.6	80	89	-	4.5
SPA 500 X 5 — R	12	3525	500	505.6	80	65	7.5	-
SPA 500 X 6	12	3535	500	505.6	95	89	3	-
SPA 500 X 6 — R	12	3525	500	505.6	95	65	15	-
SPA 560 X 2	13	3020	560	565.6	35	51	-	16
SPA 560 X 3	13	3020	560	565.6	50	51	-	1
SPA 560 X 4	11	3535	560	565.6	65	89	-	12
SPA 560 X 4 — R	12	3525	560	565.6	65	65	0	-
SPA 560 X 5	11	3535	560	565.6	80	89	-	4.5
SPA 560 X 6	12	3535	560	565.6	95	89	3	-
SPA 630 X 1	11	2517	630	635.6	20	45	-	12.5
SPA 630 X 2	11	3020	630	635.6	35	51	-	8
SPA 630 X 3	13	3020	630	635.6	50	51	-	1
SPA 630 X 4	11	3535	630	635.6	65	89	-	12

V-PULLEYS TAPER BORE



SPA - SECTION continued

Part No.	Type	Bush No.	PD (mm)	OD (mm)	Dimensions (mm)			
					F	L	R	P
SPA 630 X 4 — R	12	3525	630	635.6	65	65	0	-
SPA 630 X 5	11	3535	630	635.6	80	89	-	4.5
SPA 630 X 5 — R	12	3525	630	635.6	80	65	7.5	-
SPA 630 X 6	11	4040	630	635.6	95	102	-	3.5
SPA 630 X 6 — R	12	4030	630	635.6	95	76	9.5	-
SPA 800 X 2	11	3535	800	805.6	35	89	-	27
SPA 800 X 3	11	3535	800	805.6	50	89	-	19.5
SPA 800 X 3 — R	11	3525	800	805.6	50	65	-	7.5
SPA 800 X 4	11	3535	800	805.6	65	89	-	12
SPA 800 X 4 — R	12	3525	800	805.6	65	65	0	-
SPA 800 X 5	11	4040	800	805.6	80	102	-	11
SPA 800 X 5 — R	12	4030	800	805.6	80	76	2	-
SPA 800 X 6	11	4040	800	805.6	95	102	-	3.5
SPA 800 X 6 — R	12	4030	800	805.6	95	76	9.5	-

SPB - SECTION

Part No.	Type	Bush No.	PD (mm)	OD (mm)	Dimensions (mm)			
					F	L	R	P
SPB 80 X 1	5	1108	80	87	25	22	3	-
SPB 80 X 2	5	1108	80	87	44	22	22	-
SPB 85 X 1	5	1108	85	92	25	22	3	-
SPB 85 X 2	5	1108	85	92	44	22	22	-
SPB 90 X 1	1	1210	90	97	25	25	-	-
SPB 90 X 2	5	1108	90	97	44	22	22	-
SPB 90 X 3	5	1210	90	97	63	25	38	-
SPB 95 X 1	1	1210	95	102	25	25	-	-
SPB 95 X 2	5	1210	95	102	44	25	19	-
SPB 95 X 3	5	1210	95	102	63	25	38	-
SPB 100 X 1	1	1610	100	107	25	25	-	-
SPB 100 X 2	5	1610	100	107	44	25	19	-
SPB 100 X 3	5	1610	100	107	63	25	38	-
SPB 100 X 4	5	1615	100	107	82	38	44	-
SPB 106 X 1	1	1610	106	113	25	25	-	-
SPB 106 X 2	5	1610	106	113	44	25	19	-
SPB 106 X 3	5	1610	106	113	63	25	38	-
SPB 106 X 4	5	1615	106	113	82	38	44	-
SPB 112 X 1	1	1610	112	119	25	25	-	-
SPB 112 X 2	5	1610	112	119	44	25	19	-
SPB 112 X 3	5	1610	112	119				-
SPB 112 X 4	5	2012	112	119	82	32	50	-
SPB 118 X 1	1	1610	118	125	25	25	-	-
SPB 118 X 2	6	1610	118	125	44	25	19	-
SPB 118 X 3	6	1610	118	125	63	25	38	-
SPB 118 X 4	5	2012	118	125	82	32	50	-

V-PULLEYS TAPER BORE



SPB - SECTION

Part No.	Type	Bush No.	PD (mm)	OD (mm)	Dimensions (mm)			
					F	L	R	P
SPB 125 X 1	1	1610	125	132	25	25	-	-
SPB 125 X 2	6	2012	125	132	44	32	12	-
SPB 125 X 3	6	2012	125	132	63	32	31	-
SPB 125 X 4	7	2012	125	132	82	32	25	-
SPB 125 X 5	5	2012	125	132	101	32	69	-
SPB 132 X 1	1	1610	132	139	25	25	-	-
SPB 132 X 2	6	2012	132	139	44	32	12	-
SPB 132 X 3	6	2012	132	139	63	32	31	-
SPB 132 X 4	7	2012	132	139	82	32	25	-
SPB 132 X 5	5	2517	132	139	101	45	56	-
SPB 132 X 6	7	2012	132	139	120	32	44	-
SPB 140 X 1	1	1610	140	147	25	25	-	-
SPB 140 X 2	6	2012	140	147	44	32	12	-
SPB 140 X 3	6	2012	140	147	63	32	31	-
SPB 140 X 4	7	2517	140	147	82	45	18.5	-
SPB 140 X 5	7	2517	140	147	101	45	28	-
SPB 140 X 6	7	2517	140	147	120	45	37.5	-
SPB 140 X 8	7	2517	140	147	158	45	56.5	-
SPB 150 X 1	10	1610	150	157	25	25	-	0
SPB 150 X 2	6	2012	150	157	44	32	12	-
SPB 150 X 3	6	2517	150	157	63	45	18	-
SPB 150 X 4	7	2517	150	157	82	45	18.5	-
SPB 150 X 5	7	2517	150	157	101	45	28	-
SPB 150 X 6	7	2517	150	157	120	45	37.5	-
SPB 160 X 1	10	1610	160	167	25	25	-	0
SPB 160 X 2	6	2012	160	167	44	32	12	-
SPB 160 X 3	6	2517	160	167	63	45	18	-
SPB 160 X 4	7	2517	160	167	82	45	18.5	-
SPB 160 X 5	7	2517	160	167	101	45	28	-
SPB 160 X 6	7	3020	160	167	120	51	34.5	-
SPB 160 X 8	7	3020	160	167	158	51	53.5	-
SPB 170 X 1	10	1610	170	177	25	25	-	0
SPB 170 X 2	6	2012	170	177	44	32	12	-
SPB 170 X 3	6	2517	170	177	63	45	18	-
SPB 170 X 4	7	2517	170	177	82	45	18.5	-
SPB 170 X 5	7	3020	170	177	101	51	25	-
SPB 170 X 6	7	3020	170	177	120	51	34.5	-
SPB 170 X 8	7	3030	170	177	158	76	41	-
SPB 170 X 8 — R	7	3020	170	177	158	51	53.5	-
SPB 180 X 1	10	1610	180	187	25	25	-	0
SPB 180 X 2	4	2517	180	187	44	45	-	-
SPB 180 X 3	6	2517	180	187	63	45	18	-
SPB 180 X 4	7	2517	180	187	82	45	18.5	-
SPB 180 X 5	7	3020	180	187	101	51	25	-
SPB 180 X 6	7	3020	180	187	120	51	34.5	-

V-PULLEYS TAPER BORE



SPB - SECTION continued

Part No.	Type	Bush No.	PD (mm)	OD (mm)	Dimensions (mm)			
					F	L	R	P
SPB 180 X 8	7	3030	180	187	158	76	41	-
SPB 180 X 8 — R	7	3020	180	187	158	51	53.5	-
SPB 190 X 1	10	2012	190	197	25	32	-	3.5
SPB 190 X 2	4	2517	190	197	44	45	-	-
SPB 190 X 3	6	2517	190	197	63	45	18	-
SPB 190 X 4	7	2517	190	197	82	45	18.5	-
SPB 190 X 5	7	3020	190	197	101	51	25	-
SPB 190 X 6	7	3020	190	197	120	51	34.5	-
SPB 190 X 8	7	3030	190	197	158	76	41	-
SPB 190 X 8 — R	7	3020	190	197	158	51	53.5	-
SPB 190 X 10	7	3535	190	197	196	89	53.5	-
SPB 200 X 1	10	2012	200	207	25	32	-	3.5
SPB 200 X 2	8	2517	200	207	44	45	-	1
SPB 200 X 3	6	2517	200	207	63	45	18	-
SPB 200 X 4	7	3020	200	207	82	51	15.5	-
SPB 200 X 5	7	3020	200	207	101	51	25	-
SPB 200 X 6	7	3020	200	207	120	51	34.5	-
SPB 200 X 8	7	3535	200	207	158	89	34.5	-
SPB 200 X 8 — R	7	3525	200	207	158	65	46.5	-
SPB 212 X 1	10	2012	212	219	25	32	-	3.5
SPB 212 X 2	8	2517	212	219	44	45	-	1
SPB 212 X 3	15	2517	212	219	63	45	18	-
SPB 212 X 4	7	3020	212	219	82	51	15.5	-
SPB 212 X 5	7	3020	212	219	101	51	25	-
SPB 212 X 6	7	3525	212	219	120	89	15.5	-
SPB 212 X 6 — R	7	3525	212	219	120	65	27.5	-
SPB 212 X 8	7	3525	212	219	158	89	34.5	-
SPB 212 X 8 — R	7	3525	212	219	158	65	46.5	-
SPB 212 X 10	7	3535	212	219	196	89	53.5	-
SPB 212 X 12	7	3535	212	219	234	89	72.5	-
SPB 224 X 1	10	2012	224	231	25	32	-	3.5
SPB 224 X 2	8	2517	224	231	44	45	-	1
SPB 224 X 3	15	2517	224	231	63	45	18	-
SPB 224 X 4	7	3020	224	231	82	51	15.5	-
SPB 224 X 5	7	3020	224	231	101	51	25	-
SPB 224 X 6	7	3535	224	231	120	89	15.5	-
SPB 224 X 6 — R	7	3525	224	231	120	65	27.5	-
SPB 224 X 8	7	3535	224	231	158	89	34.5	-
SPB 224 X 8 — R	7	3525	224	231	158	65	46.5	-
SPB 224 X 10	7	3535	224	231	196	89	53.5	-
SPB 236 X 1	10	2012	236	243	25	32	-	3.5
SPB 236 X 2	8	2517	236	243	44	45	-	1
SPB 236 X 3	15	2517	236	243	63	45	18	-
SPB 236 X 4	9	3020	236	243	82	51	15.5	-
SPB 236 X 5	7	3535	236	243	101	89	6	-

V-PULLEYS TAPER BORE



SPB - SECTION continued

Part No.	Type	Bush No.	PD (mm)	OD (mm)	Dimensions (mm)			
					F	L	R	P
SPB 236 X 5 — R	7	3525	236	243	101	65	18	-
SPB 236 X 6	7	3535	236	243	120	89	15.5	-
SPB 236 X 6 — R	7	3525	236	243	120	65	27.5	-
SPB 236 X 8	7	3535	236	243	158	89	34.5	-
SPB 236 X 8 — R	7	3525	236	243	158	65	46.5	-
SPB 236 X 10	7	3535	236	243	196	89	53.5	-
SPB 250 X 1	10	2012	250	257	25	32	-	3.5
SPB 250 X 2	8	2517	250	257	44	45	-	1
SPB 250 X 3	15	3020	250	257	63	51	12	-
SPB 250 X 4	9	3020	250	257	82	51	15.5	-
SPB 250 X 5	7	3535	250	257	101	89	6	-
SPB 250 X 5 — R	7	3525	250	257	101	65	18	-
SPB 250 X 6	7	3535	250	257	120	89	15.5	-
SPB 250 X 6 — R	7	3525	250	257	120	65	27.5	-
SPB 250 X 8	7	3535	250	257	158	89	34.5	-
SPB 250 X 8 — R	7	3525	250	257	158	65	46.5	-
SPB 250 X 10	7	3535	250	257	196	89	53.5	-
SPB 250 X 10 — R	7	3525	250	257	196	65	65.5	-
SPB 265 X 1	13	2012	265	272	25	32	-	7
SPB 265 X 2	13	2517	265	272	44	45	-	1
SPB 265 X 3	9	3020	265	272	63	51	6	-
SPB 265 X 4	9	3020	265	272	82	51	15.5	-
SPB 265 X 5	7	3535	265	272	101	89	6	-
SPB 265 X 6	7	3535	265	272	120	89	15.5	-
SPB 265 X 6 — R	7	3525	265	272	120	65	27.5	-
SPB 265 X 8	7	3535	265	272	158	89	34.5	-
SPB 265 X 8 — R	7	3525	265	272	158	65	46.5	-
SPB 280 X 1	11	2012	280	287	25	32	-	3.5
SPB 280 X 2	13	2517	280	287	44	45	-	1
SPB 280 X 3	12	3020	280	287	63	51	6	-
SPB 280 X 4	9	3020	280	287	82	51	15.5	-
SPB 280 X 5	9	3535	280	287	101	89	6	-
SPB 280 X 5 — R	9	3525	280	287	101	65	18	-
SPB 280 X 6	9	3535	280	287	120	89	15.5	-
SPB 280 X 6 — R	9	3525	280	287	120	65	27.5	-
SPB 280 X 8	9	3535	280	287	158	89	34.5	-
SPB 280 X 8 — R	9	3525	280	287	158	65	46.5	-
SPB 280 X 10	9	3535	280	287	196	89	53.5	-
SPB 280 X 10 — R	9	3525	280	287	196	65	65.5	-
SPB 300 X 1	13	2012	300	307	25	32	-	7
SPB 300 X 2	13	2517	300	307	44	45	-	1
SPB 300 X 3	12	3020	300	307	63	51	6	-
SPB 300 X 4	8	3535	300	307	82	89	-	7
SPB 300 X 4 — R	9	3525	300	307	82	65	8.5	-
SPB 300 X 5	9	3535	300	307	101	89	6	-

V-PULLEYS TAPER BORE



SPB - SECTION continued

Part No.	Type	Bush No.	PD (mm)	OD (mm)	Dimensions (mm)			
					F	L	R	P
SPB 300 X 5 — R	9	3525	300	307	101	65	18	-
SPB 300 X 6	9	3535	300	307	120	89	15.5	-
SPB 300 X 6 — R	9	3525	300	307	120	65	27.5	-
SPB 300 X 8	9	3535	300	307	158	89	34.5	-
SPB 300 X 8 — R	9	3525	300	307	158	65	46.5	-
SPB 300 X 10	9	3535	300	307	196	89	53.5	-
SPB 315 X 1	11	2012	315	322	25	32	-	3.5
SPB 315 X 2	13	2517	315	322	44	45	-	1
SPB 315 X 3	12	3020	315	322	63	51	6	-
SPB 315 X 4	11	3535	315	322	82	89	-	3.5
SPB 315 X 4 — R	12	3525	315	322	82	65	8.5	-
SPB 315 X 5	9	3535	315	322	101	89	6	-
SPB 315 X 5 — R	9	3525	315	322	101	65	18	-
SPB 315 X 6	9	3535	315	322	120	89	15.5	-
SPB 315 X 6 — R	9	3525	315	322	120	65	27.5	-
SPB 315 X 8	9	3535	315	322	158	89	34.5	-
SPB 315 X 8 — R	9	3525	315	322	158	65	46.5	-
SPB 315 X 10	9	3535	315	322	196	89	53.5	-
SPB 335 X 1	11	2517	335	342	25	45	-	10
SPB 335 X 2	13	2517	335	342	44	45	-	1
SPB 335 X 3	12	3020	335	342	63	51	6	-
SPB 335 X 4	11	3535	335	342	82	89	-	3.5
SPB 335 X 4 — R	12	3525	335	342	82	65	8.5	-
SPB 335 X 5	9	3535	335	342	101	89	6	-
SPB 335 X 5 — R	9	3525	335	342	101	65	18	-
SPB 335 X 6	9	3535	335	342	120	89	15.5	-
SPB 335 X 6 — R	9	3525	335	342	120	65	27.5	-
SPB 335 X 8	9	3535	335	342	158	89	34.5	-
SPB 335 X 8 — R	9	3525	335	342	158	65	46.5	-
SPB 335 X 10	9	3535	335	342	196	89	53.5	-
SPB 355 X 2	11	3020	355	362	44	51	-	3.5
SPB 355 X 3	12	3020	355	362	63	51	6	-
SPB 355 X 4	11	3535	355	362	82	89	-	3.5
SPB 355 X 5	9	3535	355	362	101	89	6	-
SPB 355 X 5 — R	9	3525	355	362	101	65	18	-
SPB 355 X 6	9	3535	355	362	120	89	15.5	-
SPB 355 X 6 — R	9	3525	355	362	120	65	27.5	-
SPB 355 X 8	9	3535	355	362	158	89	34.5	-
SPB 355 X 8 — R	9	3525	355	362	158	65	46.5	-
SPB 355 X 10	9	4040	355	362	196	102	47	-
SPB 400 X 1	11	2517	400	407	25	45	-	10
SPB 400 X 2	11	3020	400	407	44	51	-	3.5
SPB 400 X 3	11	3535	400	407	63	89	-	13
SPB 400 X 4	11	3535	400	407	82	89	-	3.5
SPB 400 X 5	12	3535	400	407	101	89	6	-

V-PULLEYS TAPER BORE



SPB - SECTION continued

Part No.	Type	Bush No.	PD (mm)	OD (mm)	Dimensions (mm)			
					F	L	R	P
SPB 400 X 5 — R	12	3525	400	407	101	65	18	-
SPB 400 X 6	12	3535	400	407	120	89	15.5	-
SPB 400 X 6 — R	12	3525	400	407	120	65	27.5	-
SPB 400 X 8	9	4040	400	407	158	102	28	-
SPB 400 X 8 — R	9	3525	400	407	158	65	46.5	-
SPB 400 X 10	9	4040	400	407	196	102	47	-
SPB 450 X 2	11	3020	450	457	44	51	-	3.5
SPB 450 X 3	13	3535	450	457	63	89	-	26
SPB 450 X 3 — R	13	3525	450	457	63	65	-	2
SPB 450 X 4	13	3535	450	457	82	89	-	7
SPB 450 X 4 — R	16	3525	450	457	82	65	17	-
SPB 450 X 5	16	3535	450	457	101	89	12	-
SPB 450 X 5 — R	16	3525	450	457	101	65	36	-
SPB 450 X 6	16	4040	450	457	120	102	18	-
SPB 450 X 6 — R	16	3525	450	457	120	65	55	-
SPB 450 X 8	12	4040	450	457	158	102	28	-
SPB 450 X 8 — R	12	3525	450	457	158	65	46.5	-
SPB 450 X 10	12	4545	450	457	196	114	41	-
SPB 500 X 2	11	3020	500	507	44	51	-	3.5
SPB 500 X 3	13	3535	500	507	63	89	-	26
SPB 500 X 3 — R	13	3525	500	507	63	65	-	2
SPB 500 X 4	13	3535	500	507	82	89	-	7
SPB 500 X 4 — R	16	3525	500	507	82	65	17	-
SPB 500 X 5	16	3535	500	507	101	89	12	-
SPB 500 X 5 — R	16	3525	500	507	101	65	36	-
SPB 500 X 6	16	4040	500	507	120	102	18	-
SPB 500 X 6 — R	16	3525	500	507	120	65	55	-
SPB 500 X 8	12	4040	500	507	158	102	28	-
SPB 500 X 8 — R	12	3525	500	507	158	65	46.5	-
SPB 500 X 10	12	4545	500	507	196	114	41	-
SPB 560 X 2	17	3030	560	567	44	76	-	28.5
SPB 560 X 2 — R	11	3020	560	567	44	51	-	3.5
SPB 560 X 3	13	3535	560	567	63	89	-	26
SPB 560 X 3 — R	13	3525	560	567	63	65	-	2
SPB 560 X 4	13	3535	560	567	82	89	-	7
SPB 560 X 4 — R	16	3525	560	567	82	65	17	-
SPB 560 X 5	13	4040	560	567	101	102	-	1
SPB 560 X 5 — R	16	3525	560	567	101	65	36	-
SPB 560 X 6	16	4040	560	567	120	102	18	-
SPB 560 X 6 — R	16	3525	560	567	120	65	55	-
SPB 560 X 8	12	4545	560	567	158	114	22	-
SPB 560 X 8 — R	12	4030	560	567	158	76	41	-
SPB 560 X 10	12	4545	560	567	196	114	41	-
SPB 630 X 2	11	3030	630	637	44	76	-	16
SPB 630 X 2 — R	11	3020	630	637	44	51	-	3.5

V-PULLEYS TAPER BORE



SPB - SECTION continued

Part No.	Type	Bush No.	PD (mm)	OD (mm)	Dimensions (mm)			
					F	L	R	P
SPB 630 X 3	13	3535	630	637	63	89	-	26
SPB 630 X 3 — R	13	3525	630	637	63	65	-	2
SPB 630 X 4	13	3535	630	637	82	89	-	7
SPB 630 X 4 — R	16	3525	630	637	82	65	17	-
SPB 630 X 5	13	4040	630	637	101	102	-	1
SPB 630 X 5 — R	16	3525	630	637	101	65	36	-
SPB 630 X 6	16	4040	630	637	101	65	18	-
SPB 630 X 6 — R	16	3525	630	637	120	102	55	-
SPB 630 X 8	12	4545	630	637	158	114	22	-
SPB 630 X 8 — R	12	4030	630	637	158	76	41	-
SPB 630 X 10	12	4545	630	637	196	114	41	-
SPB 710 X 2	11	3030	710	717	44	76	-	16
SPB 710 X 3	11	3535	710	717	63	89	-	13
SPB 710 X 3 — R	11	3525	710	717	63	65	-	1
SPB 710 X 4	11	3535	710	717	82	89	-	3.5
SPB 710 X 4 — R	12	3525	710	717	82	65	8.5	-
SPB 710 X 5	13	4040	710	717	101	102	-	1
SPB 710 X 5 — R	12	4030	710	717	101	76	12.5	-
SPB 710 X 6	12	4040	710	717	120	102	9	-
SPB 710 X 6 — R	12	4535	710	717	120	89	15.5	-
SPB 710 X 8	12	4545	710	717	158	114	22	-
SPB 710 X 8 — R	12	4535	710	717	158	89	34.5	-
SPB 710 X 10	12	4545	710	717	196	114	41	-
SPB 800 X 3	11	3535	800	807	63	89	-	13
SPB 800 X 3 — R	11	3525	800	807	63	65	-	1
SPB 800 X 4	11	4040	800	807	82	102	-	10
SPB 800 X 4 — R	12	4030	800	807	82	76	3	-
SPB 800 X 5	13	4040	800	807	101	102	-	1
SPB 800 X 5 — R	12	4030	800	807	101	76	12.5	-
SPB 800 X 6	12	4545	800	807	120	114	3	-
SPB 800 X 6 — R	12	4535	800	807	120	89	15.5	-
SPB 800 X 8	12	4545	800	807	158	114	22	-
SPB 800 X 8 — R	12	4535	800	807	158	89	34.5	-
SPB 800 X 10	12	4545	800	807	196	114	41	-
SPB 1000 X 3	11	4040	1000	1007	63	102	-	19.5
SPB 1000 X 3 — R	11	4030	1000	1007	63	76	-	6.5
SPB 1000 X 4	11	4040	1000	1007	82	102	-	10
SPB 1000 X 4 — R	12	4030	1000	1007	82	76	3	-
SPB 1000 X 5	11	4545	1000	1007	101	114	-	6.5
SPB 1000 X 5 — R	12	4535	1000	1007	101	89	6	-
SPB 1000 X 6	12	4545	1000	1007	120	114	3	-
SPB 1000 X 6 — R	12	4535	1000	1007	120	89	15.5	-
SPB 1000 X 8	12	5050	1000	1007	158	127	15.5	-
SPB 1000 X 8 — R	12	4535	1000	1007	158	89	34.5	-
SPB 1000 X 10	12	5050	1000	1007	196	127	34.5	-

V-PULLEYS TAPER BORE



SPB - SECTION continued

Part No.	Type	Bush No.	PD (mm)	OD (mm)	Dimensions (mm)			
					F	L	R	P
SPB 1250 X 3	11	4545	1250	1257	63	114	-	25.5
SPB 1250 X 3 — R	11	4535	1250	1257	63	89	-	13
SPB 1250 X 4	11	4545	1250	1257	82	114	-	16
SPB 1250 X 4 — R	11	4535	1250	1257	82	89	-	3.5
SPB 1250 X 5	11	4545	1250	1257	101	114	-	6.5
SPB 1250 X 5 — R	12	4535	1250	1257	101	89	6	-
SPB 1250 X 6	12	4545	1250	1257	120	114	3	-
SPB 1250 X 6 — R	12	4535	1250	1257	120	89	15.5	-
SPB 1250 X 8	12	5050	1250	1257	158	127	15.5	-
SPB 1250 X 8 — R	12	5040	1250	1257	158	114	22	-
SPB 1250 X 12	12	5050	1250	1257	234	127	53.5	-

SPC - SECTION

Part No.	Type	Bush No.	PD (mm)	OD (mm)	Dimensions (mm)			
					F	L	R	P
SPC 200 X 2	7	2517	200	209.6	59.5	45	7.3	-
SPC 200 X 3	7	2517	200	209.6	85	45	20	-
SPC 200 X 4	7	3020	200	209.6	110.5	51	29.8	-
SPC 200 X 5	7	3535	200	209.6	136	89	23.5	-
SPC 200 X 5 — R	7	3525	200	209.6	136	65	35.5	-
SPC 200 X 6	7	3535	200	209.6	161.5	89	36.3	-
SPC 200 X 6 — R	7	3525	200	209.6	161.5	65	48.3	-
SPC 200 X 8	7	3535	200	209.6	212.5	89	61.8	-
SPC 200 X 8 — R	7	3525	200	209.6	212.5	65	73.8	-
SPC 212 X 2	9	2517	212	221.6	59.5	45	7.3	-
SPC 212 X 3	7	3020	212	221.6	85	51	17	-
SPC 212 X 4	7	3020	212	221.6	110.5	51	29.8	-
SPC 212 X 5	7	3535	212	221.6	136	89	23.5	-
SPC 212 X 5 — R	7	3525	212	221.6	136	65	35.5	-
SPC 212 X 6	7	3535	212	221.6	161.5	89	36.3	-
SPC 212 X 6 — R	7	3525	212	221.6	161.5	65	48.3	-
SPC 212 X 8	7	3535	212	221.6	212.5	89	61.8	-
SPC 212 X 8 — R	7	3525	212	221.6	212.5	65	73.8	-
SPC 212 X 10	7	3535	212	221.6	263.5	89	87.3	-
SPC 224 X 2	7	3020	224	233.6	59.5	51	4.3	-
SPC 224 X 3	7	3020	224	233.6	85	51	17	-
SPC 224 X 4	7	3535	224	233.6	110.5	89	10.8	-
SPC 224 X 4 — R	7	3525	224	233.6	110.5	65	22.8	-
SPC 224 X 5	7	3535	224	233.6	136	89	23.5	-
SPC 224 X 5 — R	7	3525	224	233.6	136	65	35.5	-
SPC 224 X 6	7	3535	224	233.6	161.5	89	36.3	-
SPC 224 X 6 — R	7	3525	224	233.6	161.5	65	48.3	-
SPC 224 X 8	7	3535	224	233.6	212.5	89	61.8	-
SPC 224 X 8 — R	7	3525	224	233.6	212.5	65	73.8	-

V-PULLEYS TAPER BORE



SPC - SECTION continued

Part No.	Type	Bush No.	PD (mm)	OD (mm)	Dimensions (mm)			
					F	L	R	P
SPC 224 X 10	7	4040	224	233.6	263.5	102	80.8	-
SPC 236 X 2	9	2517	236	245.6	59.5	51	4.3	-
SPC 236 X 3	7	3020	236	245.6	85	51	17	-
SPC 236 X 4	7	3535	236	245.6	110.5	89	10.8	-
SPC 236 X 4 — R	7	3525	236	245.6	110.5	65	22.8	-
SPC 236 X 5	7	3535	236	245.6	136	89	23.5	-
SPC 236 X 5 — R	7	3525	236	245.6	136	65	35.5	-
SPC 236 X 6	7	3535	236	245.6	161.5	89	36.3	-
SPC 236 X 6 — R	7	3525	236	245.6	161.5	65	48.3	-
SPC 236 X 8	7	3535	236	245.6	212.5	89	61.8	-
SPC 236 X 8 — R	7	3525	236	245.6	212.5	65	73.8	-
SPC 236 X 10	7	4040	236	245.6	263.5	102	80.8	-
SPC 250 X 1	10	3020	250	259.6	34	51	-	8.5
SPC 250 X 2	9	3020	250	259.6	59.5	51	4.3	-
SPC 250 X 3	7	3020	250	259.6	85	51	17	-
SPC 250 X 4	7	3535	250	259.6	110.5	89	10.8	-
SPC 250 X 4 — R	7	3525	250	259.6	110.5	65	22.8	-
SPC 250 X 5	7	3535	250	259.6	136	89	23.5	-
SPC 250 X 5 — R	7	3525	250	259.6	136	65	35.5	-
SPC 250 X 6	7	3535	250	259.6	161.5	89	36.3	-
SPC 250 X 6 — R	7	3525	250	259.6	161.5	65	48.3	-
SPC 250 X 8	7	3535	250	259.6	212.5	89	61.8	-
SPC 250 X 8 — R	7	3525	250	259.6	212.5	65	73.8	-
SPC 250 X 10	7	4040	250	259.6	263.5	102	80.8	-
SPC 265 X 2	9	3020	265	274.6	59.5	51	4.3	-
SPC 265 X 3	4	3535	265	274.6	85	89	-	-
SPC 265 X 3 — R	7	3525	265	274.6	85	65	10	-
SPC 265 X 4	7	3535	265	274.6	110.5	89	10.8	-
SPC 265 X 4 — R	7	3525	265	274.6	110.5	65	22.8	-
SPC 265 X 5	7	3535	265	274.6	136	89	23.5	-
SPC 265 X 5 — R	7	3525	265	274.6	136	65	35.5	-
SPC 265 X 6	7	3535	265	274.6	161.5	89	36.3	-
SPC 265 X 6 — R	7	3525	265	274.6	161.5	65	48.3	-
SPC 265 X 8	7	3535	265	274.6	212.5	89	61.8	-
SPC 265 X 8 — R	7	3525	265	274.6	212.5	65	73.8	-
SPC 265 X 10	7	4040	265	274.6	263.5	102	80.8	-
SPC 280 X 2	9	3020	280	289.6	59.5	51	4.3	-
SPC 280 X 3	8	3535	280	289.6	85	89	-	4
SPC 280 X 3 — R	9	3525	280	289.6	85	65	10	-
SPC 280 X 4	9	3535	280	289.6	110.5	89	10.8	-
SPC 280 X 4 — R	9	3525	280	289.6	110.5	65	22.8	-
SPC 280 X 5	9	3535	280	289.6	136	89	23.5	-
SPC 280 X 5 — R	9	3525	280	289.6	136	65	35.5	-
SPC 280 X 6	9	3535	280	289.6	161.5	89	36.3	-
SPC 280 X 6 — R	9	3525	280	289.6	161.5	65	48.3	-

V-PULLEYS TAPER BORE



SPC - SECTION continued

Part No.	Type	Bush No.	PD (mm)	OD (mm)	Dimensions (mm)			
					F	L	R	P
SPC 280 X 8	7	3535	280	289.6	212.5	89	61.8	-
SPC 280 X 8 — R	7	3525	280	289.6	212.5	65	73.8	-
SPC 280 X 10	7	4040	280	289.6	263.5	102	80.8	-
SPC 300 X 2	9	3020	300	309.6	59.5	51	4.3	-
SPC 300 X 3	10	3535	300	309.6	85	89	-	2
SPC 300 X 3 — R	9	3525	300	309.6	85	65	10	-
SPC 300 X 4	9	3535	300	309.6	110.5	89	10.8	-
SPC 300 X 4 — R	9	3525	300	309.6	110.5	65	22.8	-
SPC 300 X 5	9	3535	300	309.6	136	89	23.5	-
SPC 300 X 5 — R	9	3525	300	309.6	136	65	35.5	-
SPC 300 X 6	9	3535	300	309.6	161.5	89	36.3	-
SPC 300 X 6 — R	9	3525	300	309.6	161.5	65	48.3	-
SPC 300 X 8	7	4040	300	309.6	212.5	102	55.3	-
SPC 300 X 8 — R	9	3525	300	309.6	212.5	65	73.8	-
SPC 300 X 10	7	4545	300	309.6	263.5	114	74.8	-
SPC 300 X 10 — R	7	4535	300	309.6	263.5	89	87.3	-
SPC 315 X 2	9	3020	315	324.6	59.5	51	4.3	-
SPC 315 X 3	10	3535	315	324.6	85	89	-	2
SPC 315 X 3 — R	9	3525	315	324.6	85	65	10	-
SPC 315 X 4	9	3535	315	324.6	110.5	89	10.8	-
SPC 315 X 4 — R	9	3525	315	324.6	110.5	65	22.8	-
SPC 315 X 5	9	3535	315	324.6	136	89	23.5	-
SPC 315 X 5 — R	9	3525	315	324.6	136	65	35.5	-
SPC 315 X 6	9	3535	315	324.6	161.5	89	36.3	-
SPC 315 X 6 — R	9	3525	315	324.6	161.5	65	48.3	-
SPC 315 X 8	7	4040	315	324.6	212.5	102	55.3	-
SPC 315 X 8 — R	9	3525	315	324.6	212.5	65	73.8	-
SPC 315 X 10	7	4545	315	324.6	263.5	114	74.8	-
SPC 335 X 2	12	3020	335	344.6	59.5	51	4.3	-
SPC 335 X 3	11	3535	335	344.6	85	89	-	2
SPC 335 X 3 — R	12	3525	335	344.6	85	65	10	-
SPC 335 X 4	12	3535	335	344.6	110.5	89	10.8	-
SPC 335 X 4 — R	12	3525	335	344.6	110.5	65	22.8	-
SPC 335 X 5	9	3535	335	344.6	136	89	23.5	-
SPC 335 X 5 — R	9	3525	335	344.6	136	65	35.5	-
SPC 335 X 6	9	3535	335	344.6	161.5	89	36.3	-
SPC 335 X 6 — R	9	3525	335	344.6	161.5	65	48.3	-
SPC 335 X 8	9	4040	335	344.6	212.5	102	55.3	-
SPC 335 X 8 — R	9	3525	335	344.6	212.5	65	73.8	-
SPC 335 X 10	7	4545	335	344.6	263.5	114	74.8	-
SPC 355 X 2	12	3020	355	364.6	59.5	51	4.3	-
SPC 355 X 3	11	3535	355	364.6	85	89	-	2
SPC 355 X 3 — R	12	3525	355	364.6	85	65	10	-
SPC 355 X 4	12	3535	355	364.6	110.5	89	10.8	-
SPC 355 X 4 — R	12	3525	355	364.6	110.5	65	22.8	-

V-PULLEYS TAPER BORE



SPC - SECTION continued

Part No.	Type	Bush No.	PD (mm)	OD (mm)	Dimensions (mm)			
					F	L	R	P
SPC 355 X 5	12	3535	355	364.6	136	89	23.5	-
SPC 355 X 5 — R	12	3525	355	364.6	136	65	35.5	-
SPC 355 X 6	9	3535	355	364.6	161.5	89	36.3	-
SPC 355 X 6 — R	9	3525	355	364.6	161.5	65	48.3	-
SPC 355 X 8	9	4040	355	364.6	212.5	102	55.3	-
SPC 355 X 8 — R	9	3525	355	364.6	212.5	65	73.8	-
SPC 355 X 10	7	4040	355	364.6	263.5	102	80.8	-
SPC 375 X 2	12	3020	375	384.6	59.5	51	4.3	
SPC 375 X 3	11	3535	375	384.6	85	89		2
SPC 375 X 3 — R	12	3525	375	384.6	85	65	10	-
SPC 375 X 4	12	3535	375	384.6	110.5	89	10.8	-
SPC 375 X 4 — R	12	3525	375	384.6	110.5	65	22.8	-
SPC 375 X 5	12	3535	375	384.6	136	89	23.5	-
SPC 375 X 5 — R	12	3525	375	384.6	136	65	35.5	-
SPC 375 X 6	9	4040	375	384.6	161.5	102	29.8	-
SPC 375 X 6 — R	9	3525	375	384.6	161.5	65	48.3	-
SPC 375 X 8	9	4545	375	384.6	212.5	114	49.3	-
SPC 375 X 8 — R	9	4030	375	384.6	212.5	76	68.3	-
SPC 375 X 10	9	4545	375	384.6	263.5	114	74.8	-
SPC 375 X 10 — R	9	4535	375	384.6	263.5	89	87.3	-
SPC 375 X 12	7	5050	375	384.6	314.5	127	93.8	-
SPC 400 X 2	11	3525	400	409.6	59.5	64	-	2.3
SPC 400 X 3	11	3535	400	409.6	85	89	-	2
SPC 400 X 3 — R	12	3525	400	409.6	85	65	10	
SPC 400 X 4	12	3535	400	409.6	110.5	89	10.8	
SPC 400 X 4 — R	12	3525	400	409.6	110.5	65	22.8	
SPC 400 X 5	12	3535	400	409.6	136	89	23.5	
SPC 400 X 5 — R	12	3525	400	409.6	136	65	35.5	
SPC 400 X 6	9	4040	400	409.6	161.5	102	29.8	
SPC 400 X 6 — R	9	3525	400	409.6	161.5	65	48.3	
SPC 400 X 8	9	4545	400	409.6	212.5	114	49.3	
SPC 400 X 8 — R	9	4030	400	409.6	212.5	76	68.3	
SPC 400 X 10	9	5050	400	409.6	263.5	127	68.3	
SPC 400 X 10 — R	9	5040	400	409.6	263.5	102	80.8	
SPC 400 X 12	9	5050	400	409.6	314.5	127	93.8	
SPC 425 X 3	11	3535	425	434.6	85	89	-	2
SPC 425 X 3 — R	12	3525	425	434.6	85	65	10	-
SPC 425 X 4	12	3535	425	434.6	110.5	89	10.8	-
SPC 425 X 4 — R	18	3525	425	434.6	110.5	65	10	-
SPC 425 X 5	12	3535	425	434.6	136	89	23.5	-
SPC 425 X 5 — R	18	3525	425	434.6	136	65	10	-
SPC 425 X 6	9	4040	425	434.6	161.5	102	29.8	-
SPC 425 X 6 — R	18	4535	425	434.6	161.5	89	43	-
SPC 425 X 8	9	4545	425	434.6	212.5	114	49.3	-
SPC 425 X 8 — R	19	4535	425	434.6	212.5	89	43	-

V-PULLEYS TAPER BORE



SPC - SECTION continued

Part No.	Type	Bush No.	PD (mm)	OD (mm)	Dimensions (mm)			
					F	L	R	P
SPC 425 X 10	9	5050	425	434.6	263.5	127	68.3	-
SPC 425 X 10 — R	9	5040	425	434.6	263.5	102	80.8	-
SPC 450 X 2	11	3535	450	459.6	59.5	89	-	14.8
SPC 450 X 3	11	3535	450	459.6	85	89	-	2
SPC 450 X 3 — R	12	3525	450	459.6	85	65	10	-
SPC 450 X 4	12	3535	450	459.6	110.5	89	10.8	-
SPC 450 X 4 — R	18	3525	450	459.6	110.5	65	1	-
SPC 450 X 5	12	4040	450	459.6	136	102	17	-
SPC 450 X 5 — R	18	3525	450	459.6	136	65	10	-
SPC 450 X 6	9	4545	450	459.6	161.5	114	23.8	-
SPC 450 X 6 — R	18	4535	450	459.6	161.5	89	43	-
SPC 450 X 8	9	5050	450	459.6	212.5	127	42.8	-
SPC 450 X 8 — R	19	4535	450	459.6	212.5	89	43	-
SPC 450 X 10	9	5050	450	459.6	263.5	127	68.3	-
SPC 450 X 10 — R	9	5040	450	459.6	263.5	102	80.8	-
SPC 450 X 12	9	5050	450	459.6	314.5	127	93.8	-
SPC 475 X 3	11	3535	475	484.6	85	89	-	2
SPC 475 X 3 — R	12	3525	475	484.6	85	65	10	-
SPC 475 X 4	12	3535	475	484.6	110.5	89	10.8	-
SPC 475 X 4 — R	18	3525	475	484.6	110.5	65	10	-
SPC 475 X 5	12	4040	475	484.6	136	102	17	-
SPC 475 X 5 — R	18	3525	475	484.6	136	65	10	-
SPC 475 X 6	9	4545	475	484.6	161.5	114	23.8	-
SPC 475 X 6 — R	18	4535	475	484.6	161.5	89	43	-
SPC 475 X 8	9	5050	475	484.6	212.5	127	42.8	-
SPC 475 X 8 — R	18	4535	475	484.6	212.5	89	43	-
SPC 475 X 10	9	5050	475	484.6	263.5	127	68.3	-
SPC 500 X 3	11	3535	500	509.6	85	89	-	2
SPC 500 X 3 — R	12	3525	500	509.6	85	65	10	-
SPC 500 X 4	12	3535	500	509.6	110.5	89	10.8	-
SPC 500 X 4 — R	18	3525	500	509.6	110.5	65	10	-
SPC 500 X 5	12	4040	500	509.6	136	102	17	-
SPC 500 X 5 — R	18	3525	500	509.6	136	65	10	-
SPC 500 X 6	12	4545	500	509.6	161.5	114	23.8	-
SPC 500 X 6 — R	18	4535	500	509.6	161.5	89	43	-
SPC 500 X 8	9	5050	500	509.6	212.5	127	42.8	-
SPC 500 X 8 — R	18	4535	500	509.6	212.5	89	43	-
SPC 500 X 10	9	5050	500	509.6	263.5	127	68.3	-
SPC 500 X 12	9	5050	500	509.6	314.5	127	93.8	-
SPC 530 X 3	11	3535	530	539.6	85	89	-	2
SPC 530 X 3 — R	12	3525	530	539.6	85	65	10	-
SPC 530 X 4	12	4040	530	539.6	110.5	102	4.3	-
SPC 530 X 4 — R	18	3525	530	539.6	110.5	65	10	-
SPC 530 X 5	12	4545	530	539.6	136	114	11	-
SPC 530 X 5 — R	18	4535	530	539.6	136	89	43	-

V-PULLEYS TAPER BORE



SPC - SECTION continued

Part No.	Type	Bush No.	Bush No.	Type	Dimensions (mm)			
					F	L	R	P
SPC 530 X 6	12	5050	530	539.6	161.5	127	17.3	-
SPC 530 X 6 — R	18	4535	530	539.6	161.5	89	43	-
SPC 530 X 8	9	5050	530	539.6	212.5	127	42.8	-
SPC 530 X 8 — R	18	4535	530	539.6	212.5	89	43	-
SPC 530 X 10	9	5050	530	539.6	263.5	127	68.3	-
SPC 560 X 2	11	3535	560	569.6	59.5	89	-	14.8
SPC 560 X 3	11	3535	560	569.6	85	89	-	2
SPC 560 X 3 — R	12	3525	560	569.6	85	65	10	-
SPC 560 X 4	12	4040	560	569.6	110.5	102	4.3	-
SPC 560 X 4 — R	18	3525	560	569.6	110.5	65	10	-
SPC 560 X 5	12	4545	560	569.6	136	114	11	-
SPC 560 X 5 — R	18	4535	560	569.6	136	89	43	-
SPC 560 X 6	12	5050	560	569.6	161.5	127	17.3	-
SPC 560 X 6 — R	18	4535	560	569.6	161.5	89	43	-
SPC 560 X 8	12	5050	560	569.6	212.5	127	42.8	-
SPC 560 X 8 — R	18	5040	560	569.6	212.5	89	43	-
SPC 560 X 10	12	5050	560	569.6	263.5	127	68.3	-
SPC 560 X 10 — R	12	5040	560	569.6	263.5	102	80.8	-
SPC 560 X 12	12	5050	560	569.6	314.5	127	93.8	-
SPC 630 X 3	11	4040	630	639.6	85	102	-	8.5
SPC 630 X 3 — R	12	4030	630	639.6	85	76	4.5	-
SPC 630 X 4	11	4545	630	639.6	110.5	114	-	1.8
SPC 630 X 4 — R	18	4030	630	639.6	110.5	76	4.5	-
SPC 630 X 5	12	5050	630	639.6	136	127	4.5	-
SPC 630 X 5 — R	18	4535	630	639.6	136	89	36.5	-
SPC 630 X 6	12	5050	630	639.6	161.5	127	17.3	-
SPC 630 X 6 — R	12	4535	630	639.6	161.5	89	36.3	-
SPC 630 X 8	12	5050	630	639.6	212.5	127	42.8	-
SPC 630 X 8 — R	18	4535	630	639.6	212.5	89	36.5	-
SPC 630 X 10	12	5050	630	639.6	263.5	127	68.3	-
SPC 630 X 12	12	5050	630	639.6	314.5	127	93.8	-
SPC 710 X 3	11	4040	710	719.6	85	102	-	-
SPC 710 X 3 — R	12	4030	710	719.6	85	76	4.5	-
SPC 710 X 4	12	4040	710	719.6	110.5	102	4.3	-
SPC 710 X 4 — R	12	4030	710	719.6	110.5	76	17.3	-
SPC 710 X 5	12	5050	710	719.6	136	127	4.5	-
SPC 710 X 5 — R	12	5040	710	719.6	136	102	17	-
SPC 710 X 6	12	5050	710	719.6	161.5	127	17.3	-
SPC 710 X 6 — R	12	5040	710	719.6	161.5	102	29.8	-
SPC 710 X 8	12	5050	710	719.6	212.5	127	42.8	-
SPC 710 X 8 — R	12	5040	710	719.6	212.5	102	55.3	-
SPC 710 X 10	12	5050	710	719.6	263.5	127	68.3	-
SPC 710 X 12	12	5050	710	719.6	314.5	127	93.8	-
SPC 800 X 3	11	4545	800	809.6	85	114	-	14.5
SPC 800 X 3 — R	11	4535	800	809.6	85	89	-	2

V-PULLEYS TAPER BORE



SPC - SECTION continued

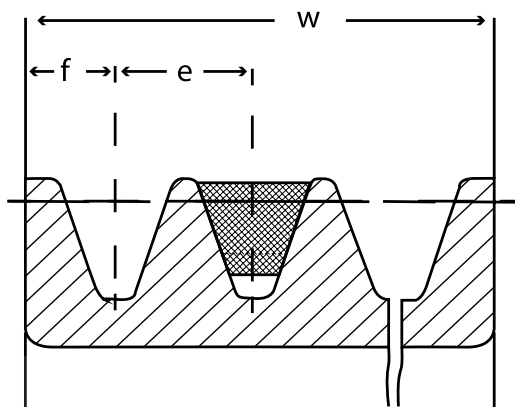
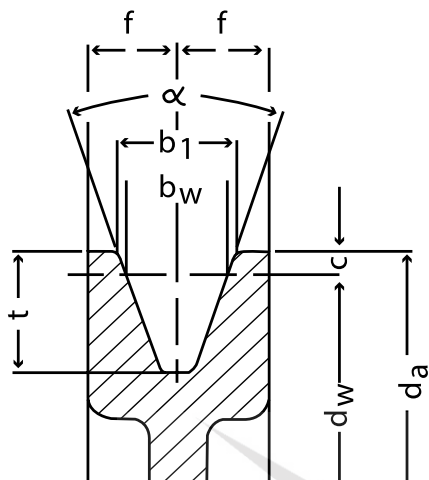
Part No.	Type	Bush No.	PD (mm)	OD (mm)	Dimensions (mm)			
					F	L	R	P
SPC 800 X 4	11	5050	800	809.6	110.5	127	-	8.3
SPC 800 X 4 — R	12	5040	800	809.6	110.5	102	4.3	-
SPC 800 X 5	12	5050	800	809.6	136	127	4.5	-
SPC 800 X 5 — R	12	5040	800	809.6	136	102	17	-
SPC 800 X 6	12	5050	800	809.6	161.5	127	17.3	-
SPC 800 X 6 — R	12	5040	800	809.6	161.5	102	29.8	-
SPC 800 X 8	12	5050	800	809.6	212.5	127	42.8	-
SPC 800 X 8 — R	12	5040	800	809.6	212.5	102	55.3	-
SPC 800 X 10	12	5050	800	809.6	263.5	127	68.3	-
SPC 800 X 10 — R	12	5040	800	809.6	263.5	102	80.8	-
SPC 800 X 12	12	5050	800	809.6	314.5	127	93.8	-
SPC 1000 X 3	11	5050	1000	1009.6	85	127	-	21
SPC 1000 X 3 — R	11	5040	1000	1009.6	85	102	-	8.5
SPC 1000 X 4	11	5050	1000	1009.6	110.5	127	-	8.3
SPC 1000 X 4 — R	12	5040	1000	1009.6	110.5	102	4.3	-
SPC 1000 X 5	12	5050	1000	1009.6	136	127	4.5	-
SPC 1000 X 5 — R	12	5040	1000	1009.6	136	102	17	-
SPC 1000 X 6	12	5050	1000	1009.6	161.5	127	17.3	-
SPC 1000 X 6 — R	12	5040	1000	1009.6	161.5	102	29.8	-
SPC 1000 X 8	12	5050	1000	1009.6	212.5	127	42.8	-
SPC 1000 X 8 — R	12	5040	1000	1009.6	212.5	102	55.3	-
SPC 1000 X 10	12	5050	1000	1009.6	263.5	127	68.3	-
SPC 1000 X 12	12	6050	1000	1009.6	314.5	127	93.8	-
SPC 1250 X 3	11	5050	1250	1259.6	85	127	-	21
SPC 1250 X 4	11	5050	1250	1259.6	110.5	127	-	8.3
SPC 1250 X 5	12	5050	1250	1259.6	136	127	4.5	-
SPC 1250 X 5 — R	12	5040	1250	1259.6	136	102	17	-
SPC 1250 X 6	12	5050	1250	1259.6	161.5	127	17.3	-
SPC 1250 X 6 — R	12	5040	1250	1259.6	161.5	102	29.8	-
SPC 1250 X 8	12	5050	1250	1259.6	212.5	127	42.8	-
SPC 1250 X 8 — R	12	5040	1250	1259.6	212.5	102	55.3	-
SPC 1250 X 10	12	5050	1250	1259.6	263.5	127	68.3	-



V-PULLEYS PILOT BORE



ENGINEERING DATA V-PULLEYS PILOT BORE



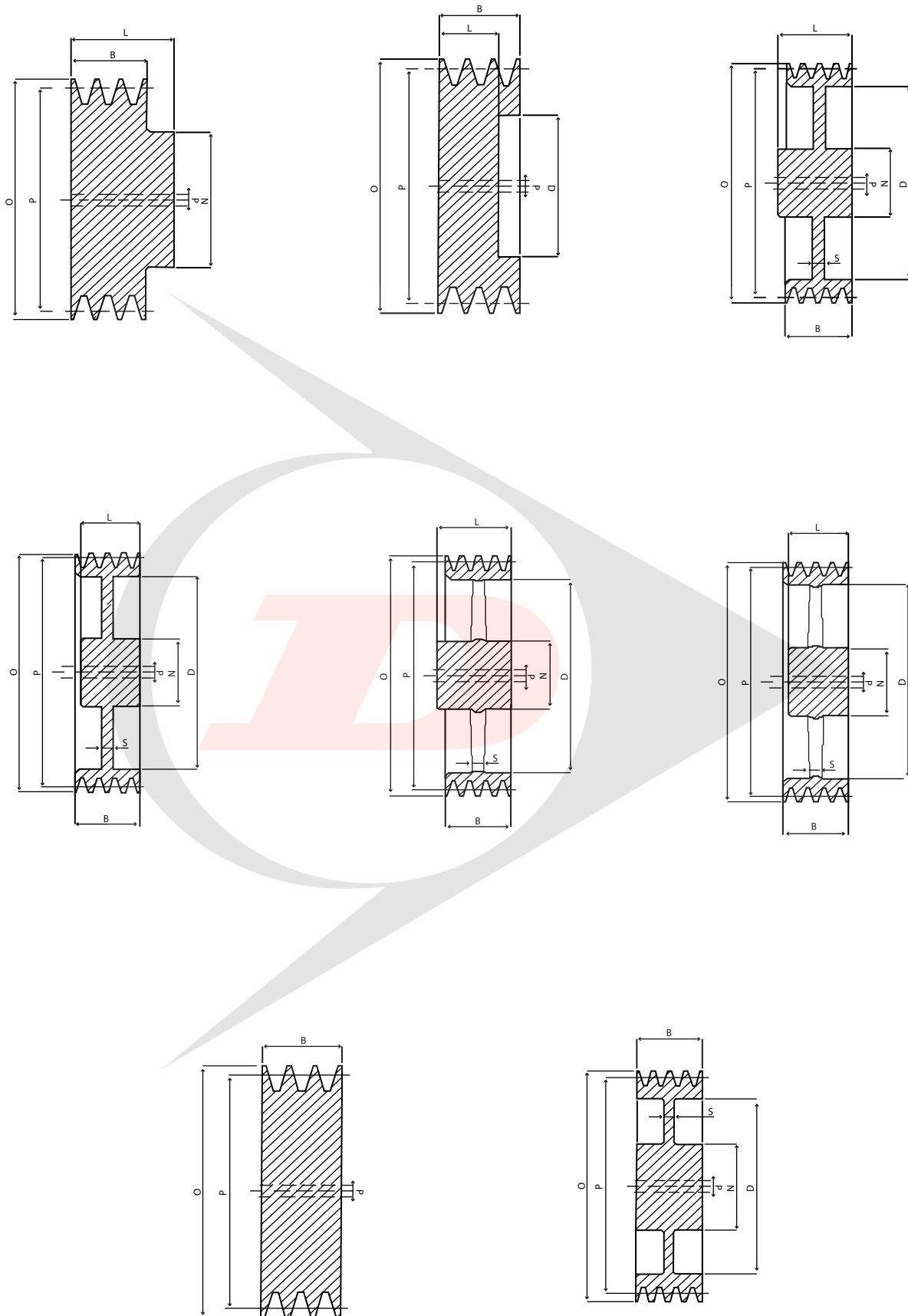
COMPLYING TO DIN 2211

Sections	SPZ (mm)	SPA (mm)	SPB (mm)	SPC (mm)	
b_w (mm)	8.5	11	14	19	
b_1 (mm)	9.7	12.7	16.3	22	
c (mm)	2	2.8	3.5	4.8	
e (mm)	12 ± 0.3	15 ± 0.3	19 ± 0.4	25.5 ± 0.5	
f (mm)	8 ± 0.6	10 ± 0.6	12.5 ± 0.8	17 ± 1	
t (mm)	min.	11	13.8	17.5	C:20 SPC:23.8
α 34° for dw (mm)	≤ 80	≤ 118	≤ 190	≤ 315	
34°	>80	>118	>190	>315	
Tolerance	$\pm 1^\circ$	$\pm 1^\circ$	$\pm 1^\circ$	$\pm 30^\circ$	
Crown width W for number of grooves Z (mm)	Z = 1	16	20	25	34
	Z = 2	28	35	44	59.5
	Z = 3	40	50	63	85
	Z = 4	52	65	82	110.5
	Z = 5	64	80	101	136
	Z = 6	76	95	120	161.5
	Z = 7	88	110	139	187
	Z = 8	100	125	158	212.5
	Z = 9	112	140	177	238
	Z = 10	124	155	196	263.5
	Z = 11	136	170	215	289
	Z = 12	148	185	234	314.5
Tolerance $d_i (Z-1) e$ (mm)	± 0.6	± 0.6	± 0.8	± 1.0	

V-PULLEYS PILOT BORE



V-PULLEY TYPES PILOT BORE



V-PULLEYS PILOT BORE



V-PULLEYS PILOT BORE

Description

Dunlop V-pulleys are manufactured from cast iron EN-GJL-200 UNI EN1561 and are black phosphated according to ISO 4183 and DIN 2211-3 norms. All pulleys are statically balanced for peripheral speeds up to 35 m/sec.

V-Pulleys are available to suit all V & wedge belts cross sections Z, A, B, C, SPZ, SPA, SPB & SPC and are available from stock in both taper and pilot bore options.

Part numbers are identified by 3 letters (e.g. SPA) which represents the belt cross section, a 3 or 4 digit number (e.g. 250) the pulleys pitch diameter and a 1 or 2 digit number (e.g. 3) the number of grooves/belts to be run in the drive, for example SPA250/3.

SPZ - SECTION

Pitch Diameter dw (mm)	Grooves No.	N	L (mm)	W (mm)	Type
SPZ 50X1	1	40	28	16	1
SPZ 50X2	2	40	35	28	1
SPZ 50X3	3			40	7
SPZ 56X1	1	45	28	16	1
SPZ 56X2	2	45	35	28	1
SPZ 56X3	3			40	7
SPZ 63X1	1	50	28	16	1
SPZ 63X2	2	50	35	28	1
SPZ 63X3	3			40	7
SPZ 71X1	1	50	28	16	1
SPZ 71X2	2	55	35	28	1
SPZ 71X3	3			40	7
SPZ 75X1	1	50	28	16	1
SPZ 75X2	2	60	35	28	1
SPZ 75X3	3			40	7
SPZ 80X1	1	50	28	16	1
SPZ 80X2	2	60	35	28	1
SPZ 80X3	3			40	7
SPZ 85X1	1	50	28	16	1
SPZ 85X2	2	60	35	28	1
SPZ 85X3	3			40	7
SPZ 90X1	1	50	28	16	1
SPZ 90X2	2	60	35	28	1
SPZ 90X3	3			40	7
SPZ 95X1	1	50	28	16	1
SPZ 95X2	2	60	35	28	1
SPZ 95X3	3			40	7
SPZ 100X1	1	50	28	16	1
SPZ 100X2	2	60	35	28	1
SPZ 100X3	3			40	7
SPZ 106X1	1	50	28	16	1
SPZ 106X2	2	60	35	28	1
SPZ 106X3	3			40	7
SPZ 112X1	1	50	28	16	1

Pitch Diameter dw (mm)	Grooves No.	N	L (mm)	W (mm)	Type
SPZ 112X2	2	60	35	28	1
SPZ 112X3	3			40	7
SPZ 118X1	1	50	28	16	3
SPZ 118X2	2	60	35	28	3
SPZ 118X3	3			40	7
SPZ 125X1	1	50	28	16	3
SPZ 125X2	2	60	35	28	3
SPZ 125X3	3			40	7
SPZ 132X1	1	50	28	16	3
SPZ 132X2	2	60	40	28	3
SPZ 132X3	3	60	40	40	8
SPZ 140X1	1	50	28	16	3
SPZ 140X2	2	60	40	28	3
SPZ 140X3	3	60	40	40	8
SPZ 150X1	1	50	28	16	3
SPZ 150X1	2	60	40	28	3
SPZ 150X3	3	60	40	40	8
SPZ 160X1	1	55	32	16	3
SPZ 160X2	2	60	40	28	3
SPZ 160X3	3	65	45	40	3
SPZ 180X1	1	55	32	16	5
SPZ 180X2	2	60	40	28	5
SPZ 180X3	3	65	45	40	5
SPZ 200X1	1	55	32	16	5
SPZ 200X2	2	60	40	28	5
SPZ 200X3	3	65	45	40	5
SPZ 224X1	1	55	32	16	5
SPZ 224X2	2	60	40	28	5
SPZ 224X3	3	65	45	40	5
SPZ 250X1	1	55	32	16	5
SPZ 250X2	2	60	40	28	5
SPZ 250X3	3	65	45	40	5
SPZ 280X2	2	65	45	28	5
SPZ 315X2	2	65	45	28	5

V-PULLEYS PILOT BORE



SPA- SECTION

Pitch Diameter dw (mm)	Grooves No.	N	L (mm)	W (mm)	Type
SPA 40X1	1	40	35	20	1
SPA 50X1	1	40	35	20	1
SPA 50X2	2	40	45	35	1
SPA 56X1	1	40	35	20	1
SPA 56X2	2	40	45	35	1
SPA 56X3	3			50	7
SPA 60X1	1	40	35	20	1
SPA 63X1	1	40	35	20	1
SPA 63X2	2	40	45	35	1
SPA 63X3	3			50	7
SPA 71X1	1	40	40	20	1
SPA 71X2	2	50	45	35	1
SPA 71X3	3			50	7
SPA 75X1	1	40	40	20	1
SPA 75X2	2	50	45	35	1
SPA 75X3	3			50	7
SPA 75X4	4			65	7
SPA 75X5	5			80	7
SPA 80X1	1	45	40	20	1
SPA 80X2	2	50	45	35	1
SPA 80X3	3			50	7
SPA 80X4	4			65	7
SPA 80X5	5			80	7
SPA 85X1	1	45	40	20	1
SPA 85X2	2	50	45	35	1
SPA 85X3	3			50	7
SPA 85X4	4			65	7
SPA 85X5	5			80	7
SPA 90X1	1	45	40	20	1
SPA 90X2	2	60	45	35	1
SPA 90X3	3			50	7
SPA 90X4	4			65	7
SPA 90X5	5			80	7
SPA 95X1	1	45	40	20	1
SPA 95X2	2	60	45	35	1
SPA 95X3	3			50	7
SPA 95X4	4			65	7
SPA 95X5	5			80	7
SPA 100X1	1	48	40	20	1
SPA 100X2	2	60	45	35	1
SPA 100X3	3			50	7
SPA 100X4	4		52	65	2
SPA 100X5	5		52	80	2

Pitch Diameter dw (mm)	Grooves No.	N	L (mm)	W (mm)	Type
SPA 106X1	1	48	40	20	1
SPA 106X2	2	60	45	35	1
SPA 106X3	3			50	7
SPA 106X5	5		52	80	2
SPA 112X1	1	48	40	20	1
SPA 112X2	2	60	45	35	1
SPA 112X3	3			50	7
SPA 112X4	4		52	65	2
SPA 112X5	5		52	80	2
SPA 118X1	1	60	40	20	1
SPA 118X2	2	60	45	35	1
SPA 118X3	3			50	7
SPA 118X4	4		52	65	2
SPA 118X5	5		52	80	2
SPA 125X1	1	60	40	20	1
SPA 125X2	2	60	45	35	1
SPA 125X3	3			50	7
SPA 125X4	4		52	65	2
SPA 132X1	1	60	40	20	1
SPA 132X2	2	60	45	35	1
SPA 132X3	3			50	7
SPA 132X4	4		52	65	2
SPA 132X5	5		52	80	2
SPA 140X1	1	60	40	20	3
SPA 140X2	2	60	45	35	3
SPA 140X3	3	65	52	50	3
SPA 140X4	4		52	65	2
SPA 140X5	5		52	80	2
SPA 150X1	1	60	40	20	3
SPA 150X2	2	60	45	35	3
SPA 150X3	3	65	52	50	3
SPA 150X4	4		52	65	2
SPA 150X5	5		52	80	2
SPA 160X1	1	60	40	20	3
SPA 160X2	2	60	45	35	3
SPA 160X3	3	70	52	50	3
SPA 160X4	4	70	52	65	4
SPA 160X5	5	80	52	80	4
SPA 170X1	1	60	40	20	3
SPA 170X2	2	60	45	35	3
SPA 170X3	3	70	52	50	3
SPA 170X4	4	80	60	65	4
SPA 170X5	5	80	65	80	4

V-PULLEYS PILOT BORE



SPA - SECTION

Pitch Diameter dw (mm)	Grooves No.	N	L (mm)	W (mm)	Type
SPA 180X1	1	65	40	20	3
SPA 180X2	2	70	50	35	3
SPA 180X3	3	70	52	50	3
SPA 180X4	4	80	60	65	4
SPA 180X5	5	80	65	80	4
SPA 190X2	1	70	50	35	3
SPA 190X3	2	70	52	50	3
SPA 190X4	3	80	60	65	4
SPA 200X1	1	65	45	20	3
SPA 200X2	2	70	50	35	3
SPA 200X3	3	70	52	50	3
SPA 200X4	4	80	60	65	4
SPA 200X5	5	80	65	80	4
SPA 212X1	1	65	40	20	3
SPA 212X1	2	70	45	35	3
SPA 224X1	1	65	45	20	3
SPA 224X2	2	70	50	35	3
SPA 224X3	3	80	52	50	3
SPA 224X4	4	90	60	65	4
SPA 224X5	5	90	65	80	4
SPA 236X1	1		50	20	3
SPA 236X2	2		60	35	3
SPA 250X1	1	75	50	20	3
SPA 250X1	2	75	50	35	3
SPA 250X1	3	80	60	50	3
SPA 250X1	4	90	65	65	3
SPA 250X1	5	90	65	80	4
SPA 280X1	1	75	50	20	5
SPA 280X2	2	80	50	35	5
SPA 280X3	3	80	60	50	5
SPA 280X4	4	90	65	65	5
SPA 300X1	1	75	50	20	5
SPA 300X2	2	80	50	35	5
SPA 300X3	3	80	60	50	5
SPA 300X4	4	90	65	65	5
SPA 300X5	5	100	65	80	6
SPA 315X1	1	75	60	20	5
SPA 315X2	2	80	50	35	5
SPA 315X3	3	90	60	50	5
SPA 315X4	4	90	65	65	5
SPA 315X5	5	100	65	80	6
SPA 355X1	1	75	50	20	5
SPA 355X2	2	80	50	35	5

Pitch Diameter dw (mm)	Grooves No.	N	L (mm)	W (mm)	Type
SPA 355X3	3	90	60	50	5
SPA 355X4	4	90	65	65	5
SPA 355X5	5	100	65	80	6
SPA 400X1	1	90	50	20	5
SPA 400X2	2	90	50	35	5
SPA 400X3	3	100	60	50	5
SPA 400X4	4	100	65	65	5
SPA 400X5	5	100	65	80	6
SPA 450X1	1	90	50	20	5
SPA 450X2	2	100	50	35	5
SPA 450X3	3	100	60	50	5
SPA 450X4	4	105	65	65	6
SPA 450X5	5	105	65	80	6
SPA 500X1	1	90	50	20	5
SPA 500X2	2	100	50	35	5
SPA 500X3	3	105	60	50	5
SPA 500X4	4	105	65	65	6
SPA 500X5	5	110	65	80	6
SPA 560X1	1	100	50	20	5
SPA 560X2	2	100	50	35	5
SPA 560X3	3	120	65	50	5
SPA 560X4	4	120	65	65	5
SPA 560X5	5	120	80	80	5
SPA 560X5	6	120	80	95	6
SPA 630X1	1	100	50	20	5
SPA 630X2	2	110	50	35	5
SPA 630X3	3	120	65	50	5
SPA 630X4	4	120	65	65	5
SPA 630X5	5	120	80	80	5
SPA 630X6	6	120	80	95	6

SPB - SECTION

Pitch Diameter dw (mm)	Grooves No.	N	L (mm)	W (mm)	Type
SPB 63X1	1	45	45	25	1
SPB 70X1	1	45	45	25	1
SPB 70X2	2	45	55	44	1
SPB 71X3	3			63	7
SPB 80X1	1	50	45	25	1
SPB 80X2	2	50	55	44	1
SPB 80X3	3			25	1
SPB 80X4	4			44	1
SPB 80X5	5			63	7

V-PULLEYS PILOT BORE



SPB - SECTION

Pitch Diameter dw (mm)	Grooves No.	N	L (mm)	W (mm)	Type
SPB 85X1	1	50	45	25	1
SPB 85X2	2	50	55	44	1
SPB 85X3	3			63	7
SPB 90X1	1	50	45	25	1
SPB 90X2	2	50	55	44	1
SPB 90X3	3			63	7
SPB 90X4	4			82	7
SPB 90X5	5			101	7
SPB 95X1	1	50	45	25	1
SPB 100X1	1	52	45	25	1
SPB 100X2	2	55	55	44	1
SPB 100X3	3			63	7
SPB 100X4	4			82	7
SPB 100X5	5			101	7
SPB 106X1	1		45	25	1
SPB 106X2	2		55	44	1
SPB 112X1	1	55	45	25	1
SPB 112X2	2	60	55	44	1
SPB 112X3	3			63	7
SPB 112X4	4			82	7
SPB 112X5	5			101	7
SPB 118X1	1	55	45	25	1
SPB 118X2	2	60	55	44	1
SPB 118X3	3			63	7
SPB 118X4	4			82	7
SPB 118X5	5			101	7
SPB 118X6	6			120	7
SPB 120X1	1	55	45	25	1
SPB 120X2	2	60	55	44	1
SPB 120X3	3			63	7
SPB 120X4	4			82	7
SPB 120X5	5			101	7
SPB 120X6	6			120	7
SPB 125X1	1	58	45	25	1
SPB 125X2	2	60	55	44	1
SPB 125X3	3		60	63	2
SPB 125X4	4		60	82	2
SPB 125X5	5		60	101	2
SPB 125X6	6		60	120	2
SPB 132X1	1	60	45	25	1
SPB 132X2	2	60	55	44	1
SPB 132X3	3		60	63	2
SPB 132X4	4		60	82	2

Pitch Diameter dw (mm)	Grooves No.	N	L (mm)	W (mm)	Type
SPB 132X5	5		60	101	2
SPB 132X6	6		60	120	2
SPB 140X1	1	65	45	25	1
SPB 140X2	2	65	55	44	1
SPB 140X3	3		60	63	2
SPB 140X4	4		60	82	2
SPB 140X5	5		60	101	2
SPB 140X6	6		60	120	2
SPB 150X1	1	65	45	25	1
SPB 150X2	2	65	55	44	1
SPB 150X3	3		60	63	2
SPB 150X4	4		60	82	2
SPB 150X5	5		60	101	2
SPB 150X6	6		60	120	2
SPB 160X1	1	65	45	25	3
SPB 160X2	2	70	55	44	3
SPB 160X3	3		60	63	2
SPB 160X4	4		60	82	2
SPB 160X5	5		60	101	2
SPB 160X6	6		65	120	2
SPB 170X1	1	65	45	25	3
SPB 170X2	2	70	55	44	3
SPB 170X3	3	70	60	63	4
SPB 170X4	4	70	60	82	4
SPB 170X5	5	70	60	101	4
SPB 170X6	6	70	65	120	4
SPB 180X1	1	65	45	25	3
SPB 180X2	2	70	55	44	3
SPB 180X3	3	80	60	63	4
SPB 180X4	4	80	60	82	4
SPB 180X5	5	80	70	101	4
SPB 180X6	6	80	70	120	4
SPB 190X1	1	65	45	25	3
SPB 190X2	2	70	55	44	3
SPB 200X1	1	70	45	25	3
SPB 200X2	2	70	55	44	3
SPB 200X3	3	80	60	63	4
SPB 200X4	4	88	60	82	4
SPB 200X5	5	96	70	101	4
SPB 200X6	6	96	70	120	4
SPB 212X1	1	70	45	25	3
SPB 212X2	2	77	55	44	3
SPB 212X3	3	80	60	63	4

V-PULLEYS PILOT BORE



SPB - SECTION continued

Pitch Diameter dw (mm)	Grooves No.	N	L (mm)	W (mm)	Type
SPB 212X4	4	88	60	82	4
SPB 212X5	5	96	70	101	4
SPB 212X6	6	104	80	120	4
SPB 224X1	1	70	45	25	3
SPB 224X2	2	77	55	44	3
SPB 224X3	3	80	60	63	4
SPB 224X4	4	88	60	82	4
SPB 224X5	5	96	70	101	4
SPB 224X6	6	104	80	120	4
SPB 250X1	1	70	50	25	3
SPB 250X2	2	77	55	44	3
SPB 250X3	3	80	60	63	4
SPB 250X4	4	96	65	82	4
SPB 250X5	5	104	75	101	4
SPB 250X6	6	104	80	120	4
SPB 280X1	1	76	50	25	3
SPB 280X2	2	80	55	44	3
SPB 280X3	3	90	60	63	4
SPB 280X4	4	96	65	82	4
SPB 280X5	5	104	75	101	4
SPB 280X6	6	104	80	120	4
SPB 300X1	1	76	50	25	3
SPB 300X2	2	80	55	44	3
SPB 300X3	3	90	60	63	4
SPB 300X4	4	96	65	82	4
SPB 300X5	5	104	75	101	4
SPB 300X6	6	104	80	120	4
SPB 315X1	1	76	50	25	5
SPB 315X2	2	88	60	44	5
SPB 315X3	3	90	60	63	6
SPB 315X4	4	96	65	82	6
SPB 315X5	5	104	75	101	6
SPB 315X6	6	120	90	120	6
SPB 355X1	1	80	50	25	5
SPB 355X2	2	88	60	44	5
SPB 355X3	3	92	60	63	6
SPB 355X4	4	96	65	82	6
SPB 355X5	5	104	75	101	6
SPB 355X6	6	120	90	120	6
SPB 400X1	1	85	55	25	5
SPB 400X2	2	88	60	44	5
SPB 400X3	3	96	65	63	5
SPB 400X4	4	104	75	82	6

Pitch Diameter dw (mm)	Grooves No.	N	L (mm)	W (mm)	Type
SPB 400X5	5	112	85	101	6
SPB 400X6	6	120	100	120	6
SPB 425X3	3	96	65	63	5
SPB 425X4	4	104	75	82	6
SPB 425X5	5	112	85	101	6
SPB 450X1	1	90	60	25	5
SPB 450X2	2	90	60	44	5
SPB 450X3	3	96	65	63	5
SPB 450X4	4	104	75	82	6
SPB 450X5	5	112	85	101	6
SPB 450X6	6	120	100	120	6
SPB 500X1	1	100	60	25	5
SPB 500X2	2	100	65	44	5
SPB 500X3	3	104	75	63	5
SPB 500X4	4	112	85	82	5
SPB 500X5	5	120	90	101	6
SPB 500X6	6	128	105	120	6
SPB 600X1	1	100	60	25	5
SPB 600X2	2	100	65	44	5
SPB 600X3	3	104	75	63	5
SPB 600X4	4	115	85	82	5
SPB 600X5	5	120	90	101	6
SPB 600X6	6	129	105	120	6
SPB 630X1	1	100	60	25	5
SPB 630X2	2	100	65	44	5
SPB 630X3	3	105	75	63	5
SPB 630X4	4	120	85	82	5
SPB 630X5	5	128	90	101	6
SPB 630X6	6	140	105	120	6

SPC - SECTION

Pitch Diameter dw (mm)	Grooves No.	N	L (mm)	W (mm)	Type
SPC 100X1	1	60	50	34.0	1
SPC 120X1	1	65	50	34.0	1
SPC 120X2	2			59.5	7
SPC 140X1	1	70	50	34.0	1
SPC 140X2	2			59.5	7
SPC 140X3	3		65	85.0	2
SPC 140X4	4		80	110.5	2
SPC 150X1	1	70	50	34.0	1
SPC 150X2	2			59.5	7
SPC 150X3	3		65	85.0	2

V-PULLEYS PILOT BORE



SPC - SECTION continued

Pitch Diameter dw (mm)	Grooves No.	N	L (mm)	W (mm)	Type
SPC 150X4	4		80	110.5	2
SPC 150X5	5		96	136.0	2
SPC 160X1	1	72	50	34.0	1
SPC 160X2	2			59.5	7
SPC 160X3	3		65	85.0	2
SPC 160X4	4		80	110.5	2
SPC 160X5	5		96	136.0	2
SPC 160X6	6		96	161.5	2
SPC 180X1	1	76	50	34.0	3
SPC 180X2	2	80		59.5	8
SPC 180X3	3	82	65	85.0	4
SPC 180X4	4	82	80	110.5	4
SPC 180X5	5	82	96	136.0	4
SPC 180X6	6	82	96	161.5	4
SPC 200X1	1	76	50	34.0	3
SPC 200X2	2	80	60	59.5	3
SPC 200X3	3	86	65	85.0	4
SPC 200X4	4	90	90	110.5	4
SPC 200X5	5	90	100	136.0	4
SPC 200X6	6	90	100	161.5	4
SPC 224X1	1	86	50	34.0	3
SPC 224X2	2	88	60	59.5	3
SPC 224X3	3	90	70	85.0	4
SPC 224X4	4	90	90	110.5	4
SPC 224X5	5	90	100	136.0	4
SPC 224X6	6	90	100	161.5	4
SPC 250X1	1	86	50	34.0	3
SPC 250X2	2	92	60	59.5	3
SPC 250X3	3	92	70	85.0	4
SPC 250X4	4	100	90	110.5	4
SPC 250X5	5	102	100	136.0	4
SPC 250X6	6	102	100	161.0	4
SPC 280X1	1	86	50	34.0	3
SPC 280X2	2	92	60	59.5	3
SPC 280X3	3	92	70	85.0	4
SPC 280X4	4	100	90	110.5	4
SPC 280X5	5	102	100	136.0	4
SPC 280X6	6	102	100	161.5	4
SPC 300X1	1	86	50	34.0	3
SPC 300X2	2	92	60	59.5	3
SPC 300X3	3	92	70	85.0	4
SPC 300X4	4	100	90	110.5	4
SPC 300X5	5	104	100	136.0	4

Pitch Diameter dw (mm)	Grooves No.	N	L (mm)	W (mm)	Type
SPC 300X6	6	104	100	161.5	4
SPC 315X1	1	92	50	34.0	5
SPC 315X2	2	92	60	59.5	5
SPC 315X3	3	92	70	85.0	6
SPC 315X4	4	110	90	110.5	4
SPC 315X5	5	112	100	136.0	4
SPC 315X6	6	112	100	161.5	4
SPC 335X1	1	100	50	34.0	5
SPC 335X2	2	100	60	59.5	5
SPC 335X3	3	100	70	85.0	6
SPC 335X4	4	114	90	110.5	6
SPC 335X5	5	114	100	136.0	6
SPC 335X6	6	114	100	161.5	6
SPC 355X1	1	110	50	34.0	5
SPC 355X2	2	110	60	59.5	5
SPC 355X3	3	110	70	85.0	6
SPC 355X4	4	114	90	110.5	6
SPC 355X5	5	114	100	136.0	6
SPC 355X6	6	114	100	161.5	6
SPC 400X1	1	110	60	34.0	5
SPC 400X2	2	110	70	59.5	5
SPC 400X3	3	114	90	85.0	5
SPC 400X4	4	114	90	110.5	6
SPC 400X5	5	120	100	136.0	6
SPC 400X6	6	120	100	161.5	6
SPC 450X1	1	110	60	34.0	5
SPC 450X2	2	110	70	59.5	5
SPC 450X3	3	114	90	85.0	5
SPC 450X4	4	120	90	110.5	6
SPC 450X5	5	120	100	136.0	6
SPC 450X6	6	120	100	161.5	6
SPC 500X1	1	114	60	34.0	5
SPC 500X2	2	114	70	59.5	5
SPC 500X3	3	114	90	85.0	5
SPC 500X4	4	126	90	110.5	6
SPC 500X5	5	126	100	136.0	6
SPC 500X6	6	126	100	161.5	6
SPC 560X1	1	114	60	34.0	5
SPC 560X2	2	114	70	59.5	5
SPC 560X3	3	114	90	85.0	5
SPC 560X4	4	130	100	110.5	6
SPC 560X5	5	130	100	136.0	6
SPC 560X6*	6	130	100	161.5	6

*Please enquire for product codes SPC600 to SPC630