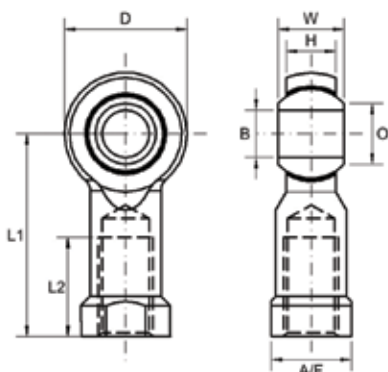


FEMALE ROD ENDS



FEMALE ROD ENDS



FH SERIES: FH - FHS - FH SS

Description:

FH-Series is our 3-piece unique internationally patented range of female rod ends, incorporating a polyurethane bearing race that provides ultra smooth operation. A nitrotec surface protected ball with a PTFE lubricant provide superior shock load and extended wear properties, combined with excellent chemical and corrosion resistance. The unique innovative captive body design prevents detachment through excessive axial loads. For optimum performance, ensure that the rod end is mounted with the moulded lettering facing away from the direction of pull.

Material Specifications:

Housing: Steel 230M07PB zinc plated and clear trivalent passivate and stainless steel 303C. Race: Polyurethane. Ball: 230M07PB nitrotec finish and stainless steel 440C. Stud: Steel 230M07PB zinc plated and clear trivalent passivate and stainless steel 303C. Lubricant: Uniflor oil.

Features:

- Metric & imperial sizes
- Ultra low friction
- High shock loads
- Extended wear life
- No maintenance
- Studded option
- Safety features
- Studded option

Possible Applications:

- Metric & imperial sizes
- Ultra low friction
- High shock loads
- Extended wear life
- No maintenance
- Studded option
- Safety features

Temperature Range:

-30°C to +170°C

Specification:

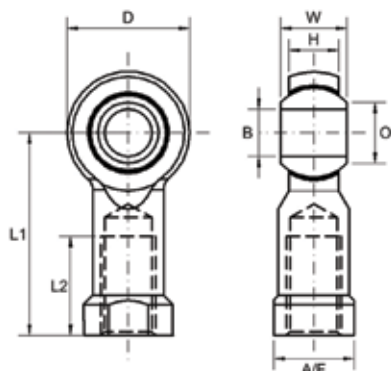
ELV & RoHS compliant



FEMALE ROD ENDS



FH SERIES: MAINTENANCE FREE ROD ENDS WITH FEMALE THREAD (METRIC)



- Housing:** Steel 230M07Pb, Zinc Plated and Clear Trivalent Passivate
- Race:** Polyurethane
- Ball:** Steel 230M07Pb – Nitrotec Surface Protection
- Lubricant:** Uniflor Oil
- Specification:** ELV and RoHS Compliant



Part No. Right Hand	Part No. Left Hand	Bore Size	Thread	W	H	D	L1	L2	O	Static Load Rating (Newtons) Radial
FH-M06	FHL-M06	6	M6X1.00	9	6.75	20	30	14.0	8.90	9,506
FH-M08	FHL-M08	8	M8X1.25	12	9.00	24	36	17.0	10.35	17,652
FH-M08C	FHL-M08C	8	M8X1.00	12	9.00	24	36	17.0	10.35	17,652
FH-M10	FHL-M10	10	M10X1.50	14	10.50	28	43	21.0	12.85	21,575
FH-M10C	FHL-M10C	10	M10X1.25	14	10.50	28	43	21.0	12.85	21,575
FH-M12	FHL-M12	12	M12X1.75	16	12.00	32	50	25.0	15.46	25,890
FH-M12C	FHL-M12C	12	M12X1.25	16	12.00	32	50	25.0	15.46	25,890

FH SERIES: MAINTENANCE FREE ROD ENDS WITH FEMALE THREAD (IMPERIAL)

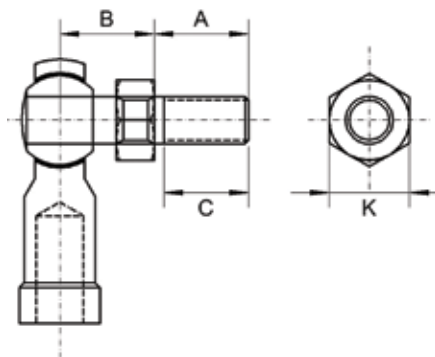
Part No. Right Hand	Part No. Left Hand	Bore Size	Thread	W	H	D	L1	L2	O	Static Load Rating (Newtons) Radial
FH-04	FHL-04	1/4	1/4 UNF	0.354	0.266	0.787	1.181	0.551	0.350	9,806
FH-04F	FHL-04F	1/4	1/4 BSF	0.354	0.266	0.787	1.181	0.551	0.350	9,806
FH-05	FHL-05	5/16	5/16 UNF	0.472	0.354	0.945	1.417	0.670	0.406	17,652
FH-05F	FHL-05F	5/16	5/16 BSF	0.472	0.354	0.945	1.417	0.670	0.406	17,652
FH-06	FHL-06	3/8	3/8 UNF	0.551	0.413	1.102	1.693	0.827	0.508	21,575
FH-06F	FHL-06F	3/8	3/8 BSF	0.551	0.413	1.102	1.693	0.827	0.508	21,575
FH-07	FHL-07	7/16	7/16 UNF	0.561	0.440	1.200	1.810	0.905	0.585	23,540
FH-07F	FHL-07F	7/16	7/16 BSF	0.561	0.440	1.200	1.810	0.905	0.585	23,540
FH-08	FHL-08	1/2	1/2 UNF	0.623	0.472	1.250	1.968	0.984	0.700	25,890
FH-08F	FHL-08F	1/2	1/2 BSF	0.623	0.472	1.250	1.968	0.984	0.700	25,890
FH-10	FHL-10	5/8	5/8 UNF	0.750	0.562	1.503	2.520	1.300	0.811	34,520
FH-10F	FHL-10F	5/8	5/8 BSF	0.750	0.562	1.503	2.520	1.300	0.811	34,520
FH-12	FHL-12	3/4	3/4 UNF	0.875	0.687	1.750	2.875	1.575	0.978	43,150
FH-12F	FHL-12F	3/4	3/4 BSF	0.875	0.687	1.750	2.875	1.575	0.978	43,150

For stainless steel add 'SS' to part no. For example 'FH-M06 SS'

FEMALE ROD ENDS



FHS SERIES: MAINTENANCE FREE ROD ENDS WITH FEMALE THREAD (METRIC)



- Housing:** Steel 230M07Pb, Zinc Plated and Clear Trivalent Passivate
- Race:** Polyurethane
- Ball:** Steel 230M07Pb – Nitrotec Surface Protection
- Lubricant:** Uniflor Oil
- Stud:** Steel 230M07Pb, Zinc Plated and Clear Trivalent Passivate
- Specification:** ELV and RoHS Compliant



Part No. Right Hand	Part No. Left Hand	Stud Size	Housing Thread	A	B	C	K	Static Load Rating (Newtons) Radial
FH-M06S	FHL-M06S	M6X1.00	M6X1.00	12.5	11.0	10.5	8	1,930
FH-M08S	FHL-M08S	M8X1.25	M8X1.25	16.5	13.0	14.5	11	3,190
FH-M08/1S	FHL-M08/1S	M8X1.25	M6X1.00	16.5	13.0	14.5	9	3,190
FH-M08/2S	FHL-M08/2S	M8X1.25	M10X1.50	16.5	13.0	14.5	9	3,190
FH-M10S	FHL-M10S	M10X1.50	M10X1.50	20.0	16.0	18.0	13	4,240
FH-M10CS	FHL-M10CS	M10X1.50	M10X1.25	20.0	16.0	18.0	13	4,240
FH-M10/1S	FHL-M10/1S	M10X1.50	M10X1.50	28.1	15.3	13.5*	13	4,240
FH-M10/2S	FHL-M10/2S	M10X1.50	M10X1.50	23.0	16.0	20.0	11	4,240
FH-M12S	FHL-M12S	M12X1.75	M12X1.75	20.0	13.0	18.0	16	5,720

FHS SERIES: MAINTENANCE FREE ROD ENDS WITH FEMALE THREAD (IMPERIAL)

Part No. Right Hand	Part No. Left Hand	Stud Size	Housing Thread	A	B	C	K	Static Load Rating (Newtons) Radial
FH-04S	FHL-04S	1/4 UNF	1/4 UNF	0.492	0.433	0.412	5/16	1,930
FH-04FS	FHL-04FS	1/4 UNF	1/4 BSF	0.492	0.433	0.412	5/16	1,930
FH-05S	FHL-05S	5/16 UNF	5/16 UNF	0.650	0.512	0.570	7/16	3,190
FH-05FS	FHL-05FS	5/16 UNF	5/16 BSF	0.650	0.512	0.570	7/16	3,190
FH-06S	FHL-06S	3/8 UNF	3/8 UNF	0.787	0.630	0.707	1/2	4,240
FH-06FS	FHL-06FS	3/8 UNF	3/8 BSF	0.787	0.630	0.707	1/2	4,240
FH-07S	FHL-07S	7/16 UNF	7/16 UNF	0.945	0.750	0.865	1/2	5,720
FH-07FS	FHL-07FS	7/16 UNF	7/16 BSF	0.945	0.750	0.865	1/2	5,720
FH-08S	FHL-08S	1/2 UNF	1/2 UNF	1.100	0.866	0.945	9/16	7,200
FH-08FS	FHL-08FS	1/2 UNF	1/2 BSF	1.100	0.866	0.945	9/16	7,200

For stainless steel add 'SS' to part no. For example 'FH-M06S SS'