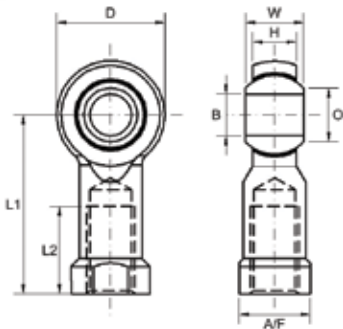


FEMALE ROD ENDS



FEMALE ROD ENDS



FP SERIES: FP - FPS - FP SS

Description:

FP-Series is our 3-piece standard range of self-lubricating general purpose female rod ends, suitable for light to medium heavy industrial/mechanical load applications requiring low friction and good wear resistance, available in both metric and imperial bore and thread sizes. They have excellent moisture resistance and require no maintenance and have a wide operating temperature range.

Material Specifications:

Housing: Steel 230M07PB and forged 080M46, zinc plated and clear trivalent passivate and stainless steel 303L 304. Race: GR-nylon LV-3H. Ball: Bearing steel 100Cr6, hardened and electroless nickel plated and stainless steel 440C and *SAE660. Stud: Steel 230M07PB zinc plated and clear trivalent passivate and stainless steel 303L.

Features:

- Metric & imperial thread & bore sizes
- Low friction
- Self-lubricating
- Good wear resistance
- Excellent moisture resistance
- No maintenance

Studded option

Possible Applications:

- Light to medium/heavy industrial/mechanical applications
- Construction equipment
- Agricultural equipment
- Recreational vehicles

Precision equipment
Linear movement

Temperature Range:

-30°C to +170°C

Specification:

ELV & RoHS compliant

Interchange table

Dunlop	Rose	Tuthill	Alinabal	IKO	SKF	Asahi
FP-M (metric)	MFP	FJ-M	MPF	PHS-EC	SIKB-F	JAF-EC
FP (imperial)	RFP-U	FJ	PF	PHSB-EC	-	-

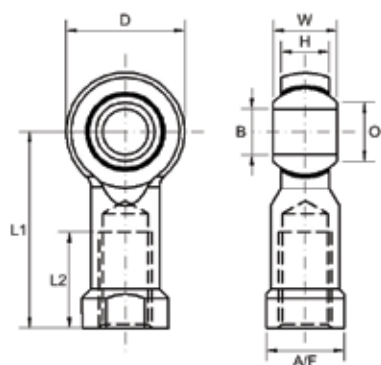
Note: Manufacturers part numbers are used for descriptive purposes only and may not be direct equivalent products.



FEMALE ROD ENDS



FP SERIES: MAINTENANCE FREE ROD ENDS WITH FEMALE THREAD (METRIC)



Housing: Steel 230M07Pb (Sizes M03 – M12)
 Forged 080M46 (Sizes M14 – M25)
 Zinc Plated and Clear Trivalent Passivate

Race: GR-Nylon, LV-3H

Ball: Bearing Steel 100Cr6, Hardened and Electro-less Nickel Plated

Specification: ELV and RoHS Compliant



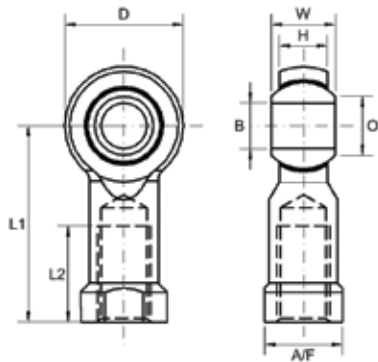
Part No. Right Hand	Part No. Left Hand	Bore Size	Thread	W	H	D	L1	L2	O	AF	Static Load Rating Radial (Newtons)
FP-M03	FPL-M03	3	M3X0.50	6	4.50	12	21	10	5.20	6.5	3,040
FP-M04-3	FPL-M04-3	3	M4X0.70	7	5.00	14	24	12	6.30	8.0	4,060
FP-M04	FPL-M04	4	M4X0.70	7	5.00	14	24	12	6.30	8.0	4,060
FP-M05-4	FPL-M05-4	4	M5X0.80	8	6.00	16	27	14	7.50	9.0	5,340
FP-M05	FPL-M05	5	M5X0.80	8	6.00	16	27	14	7.50	9.0	5,340
FP-M06-5	FPL-M06-5	5	M6X1.00	9	6.75	18	30	14	9.30	11.0	7,720
FP-M06	FPL-M06	6	M6X1.00	9	6.75	18	30	14	9.30	11.0	7,720
FP-M08-6	FPL-M08-6	6	M8X1.25	12	9.00	22	36	17	10.40	14.0	12,775
FP-M08-6C	FPL-M08-6C	6	M8X1.00	12	9.00	22	36	17	10.40	14.0	12,775
FP-M08	FPL-M08	8	M8X1.25	12	9.00	22	36	17	10.40	14.0	12,775
FP-M08C	FPL-M08C	8	M8X1.00	12	9.00	22	36	17	10.40	14.0	12,775
FP-M10-8	FPL-M10-8	8	M10X1.50	14	10.50	26	43	21	12.90	17.0	16,960
FP-M10-8C	FPL-M10-8C	8	M10X1.25	14	10.50	26	43	21	12.90	17.0	16,960
FP-M10	FPL-M10	10	M10X1.50	14	10.50	26	43	21	12.90	17.0	16,960
FP-M10C	FPL-M10C	10	M10X1.25	14	10.50	26	43	21	12.90	17.0	16,960
FP-M12-10	FPL-M12-10	10	M12X1.75	16	12.00	30	50	24	15.40	19.0	22,900
FP-M12-10C	FPL-M12-10C	10	M12X1.25	16	12.00	30	50	24	15.40	19.0	22,900
FP-M12	FPL-M12	12	M12X1.75	16	12.00	30	50	24	15.40	19.0	22,900
FP-M12C	FPL-M12C	12	M12X1.25	16	12.00	30	50	24	15.40	19.0	22,900
FP-M14-12	FPL-M14-12	12	M14X2.00	19	13.50	34	57	27	16.80	22.0	28,950
FP-M14-12C	FPL-M14-12C	12	M14X1.50	19	13.50	34	57	27	16.80	22.0	28,950
FP-M14	FPL-M14	14	M14X2.00	19	13.50	34	57	27	16.80	22.0	28,950
FP-M14C	FPL-M14C	14	M14X1.50	19	13.50	34	57	27	16.80	22.0	28,950
FP-M16-14	FPL-M16-14	14	M16X2.00	21	15.00	38	64	33	19.30	22.0	37,130
FP-M16-14C	FPL-M16-14C	14	M16X1.50	21	15.00	38	64	33	19.30	22.0	37,130
FP-M16	FPL-M16	16	M16X2.00	21	15.00	38	64	33	19.30	22.0	37,130
FP-M16C	FPL-M16C	16	M16X1.50	21	15.00	38	64	33	19.30	22.0	37,130
FP-M18-16C	FPL-M18-16C	16	M18X1.50	23	16.50	46	71	36	21.80	27.0	45,730
FP-M18C	FPL-M18C	18	M18X1.50	23	16.50	46	71	36	21.80	27.0	45,730
FP-M20-18	FPL-M20-18	18	M20X2.50	25	18.00	50	77	40	24.50	32.0	55,240
FP-M20-18C	FPL-M20-18C	18	M20X1.50	25	18.00	50	77	40	24.50	32.0	55,240
FP-M20	FPL-M20	20	M20X2.50	25	18.00	50	77	40	24.50	32.0	55,240
FP-M20C	FPL-M20C	20	M20X1.50	25	18.00	50	77	40	24.50	32.0	55,240
FP-M22	FPL-M22	22	M22X1.50	28	20.00	54	84	43	25.80	32.0	57,420
FP-M25	FPL-M25	25	M24X2.00	31	22.00	60	94	48	29.60	36.0	67,140

For stainless steel add 'SS' to part no. For example 'FP-M03 SS'

FEMALE ROD ENDS



FP SERIES: MAINTENANCE FREE ROD ENDS WITH FEMALE THREAD (IMPERIAL)



- Housing:** Steel 230M07Pb (Sizes 03 - 07)
Forged 080M46 (Sizes 08 - 16)
Zinc Plated and Clear Trivalent Passivate
- Race:** GR-Nylon, LV-3H
- Ball:** Bearing Steel 100Cr6, Hardened and Electro-less Nickel Plated
- Specification:** ELV and RoHS Compliant



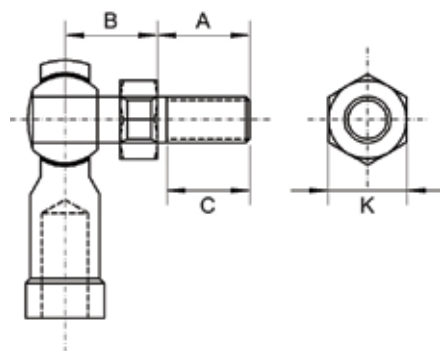
Part No. Right Hand	Part No. Left Hand	Bore Size	Thread	W	H	D	L1	L2	O	AF	Static Load Rating Radial (Newtons)
FP-03	FPL-03	3/16	10-32 UNF	0.312	0.250	0.625	1.062	0.562	0.306	0.312	5,340
FP-04-3	FPL-04-3	3/16	1/4 UNF	0.375	0.281	0.750	1.312	0.750	0.354	0.375	8,450
FP-04-3F	FPL-04-3F	3/16	1/4 BSF	0.375	0.281	0.750	1.312	0.750	0.354	0.375	8,450
FP-04	FPL-04	1/4	1/4 UNF	0.375	0.281	0.750	1.312	0.750	0.354	0.375	8,450
FP-04F	FPL-04F	1/4	1/4 BSF	0.375	0.281	0.750	1.312	0.750	0.354	0.375	8,450
FP-05-4	FPL-05-4	1/4	5/16 UNF	0.437	0.344	0.875	1.375	0.750	0.447	0.437	12,010
FP-05-4F	FPL-05-4F	1/4	5/16 BSF	0.437	0.344	0.875	1.375	0.750	0.447	0.437	12,010
FP-05	FPL-05	5/16	5/16 UNF	0.437	0.344	0.875	1.375	0.750	0.447	0.437	12,010
FP-05F	FPL-05F	5/16	5/16 BSF	0.437	0.344	0.875	1.375	0.750	0.447	0.437	12,010
FP-06-5	FPL-06-5	5/16	3/8 UNF	0.500	0.406	1.000	1.625	0.932	0.516	0.562	16,900
FP-06-5F	FPL-06-5F	5/16	3/8 BSF	0.500	0.406	1.000	1.625	0.932	0.516	0.562	16,900
FP-06	FPL-06	3/8	3/8 UNF	0.500	0.406	1.000	1.625	0.932	0.516	0.562	16,900
FP-06F	FPL-06F	3/8	3/8 BSF	0.500	0.406	1.000	1.625	0.932	0.516	0.562	16,900
FP-07-6	FPL-07-6	3/8	7/16 UNF	0.562	0.437	1.125	1.812	1.062	0.586	0.625	19,750
FP-07-6F	FPL-07-6F	3/8	7/16 BSF	0.562	0.437	1.125	1.812	1.062	0.586	0.625	19,750
FP-07	FPL-07	7/16	7/16 UNF	0.562	0.437	1.125	1.812	1.062	0.586	0.625	19,750
FP-07F	FPL-07F	7/16	7/16 BSF	0.562	0.437	1.125	1.812	1.062	0.586	0.625	19,750
FP-08-7	FPL-08-7	7/16	1/2 UNF	0.625	0.500	1.312	2.125	1.187	0.700	0.750	28,900
FP-08-7F	FPL-08-7F	7/16	1/2 BSF	0.625	0.500	1.312	2.125	1.187	0.700	0.750	28,900
FP-08	FPL-08	1/2	1/2 UNF	0.625	0.500	1.312	2.125	1.187	0.700	0.750	28,900
FP-08F	FPL-08F	1/2	1/2 BSF	0.625	0.500	1.312	2.125	1.187	0.700	0.750	28,900
FP-10-8	FPL-10-8	1/2	5/8 UNF	0.750	0.562	1.500	2.500	1.500	0.811	0.875	32,000
FP-10-8F	FPL-10-8F	1/2	5/8 BSF	0.750	0.562	1.500	2.500	1.500	0.811	0.875	32,000
FP-10	FPL-10	5/8	5/8 UNF	0.750	0.562	1.500	2.500	1.500	0.811	0.875	32,000
FP-10F	FPL-10F	5/8	5/8 BSF	0.750	0.562	1.500	2.500	1.500	0.811	0.875	32,000
FP-12-10	FPL-12-10	5/8	3/4 UNF	0.875	0.687	1.750	2.875	1.562	0.978	1.000	52,400
FP-12-10F	FPL-12-10F	5/8	3/4 BSF	0.875	0.687	1.750	2.875	1.562	0.978	1.000	52,400
FP-12	FPL-12	3/4	3/4 UNF	0.875	0.687	1.750	2.875	1.562	0.978	1.000	52,400
FP-12F	FPL-12F	3/4	3/4 BSF	0.875	0.687	1.750	2.875	1.562	0.978	1.000	52,400
FP-16-12	FPL-16-12	3/4	1" UNF	1.375	1.000	2.500	4.125	2.125	1.486	1.500	65,200
FP-16-12F	FPL-16-12F	3/4	1" BSF	1.375	1.000	2.500	4.125	2.125	1.486	1.500	65,200
FP-16	FPL-16	1	1" UNF	1.375	1.000	2.500	4.125	4.125	1.486	1.500	65,200
FP-16F	FPL-16F	1	1" BSF	1.375	1.000	2.500	4.125	2.125	1.486	1.500	65,200

For stainless steel add 'SS' to part no. For example 'FP-03 SS'

FEMALE ROD ENDS



FPS SERIES: STUDED FEMALE ROD ENDS (METRIC)



Housing: Steel 230M07Pb (Sizes M05 – M12 & 03 – 07)
Forged 080M46 (Sizes M14 – M16 & 08 - 10)
Zinc Plated and Clear Trivalent Passivate

Race: GR-Nylon, LV-3H

Ball: Bearing Steel 100Cr6, Hardened and Electro-less Nickel Plated

Stud: Steel 230M07Pb, Zinc Plated and Clear Trivalent Passivate

Specification: ELV and RoHS Compliant



Part No. Right Hand	Part No. Left Hand	Stud Size	Housing Thread	A	B	C	K	Static Load Rating (Newtons) Radial
FP-M05S	FPL-M05S	M5X0.80	M5X0.80	10	10	8	9	1,200
FP-M06-5S	FPL-M06-5S	M5X0.80	M6X1.00	12	12	10	10	1,200
FP-M06S	FPL-M06S	M6X1.00	M6X1.00	12	12	10	10	1,930
FP-M08-6S	FPL-M08-6S	M6X1.00	M8X1.25	16	16	14	13	1,930
FP-M08S	FPL-M08S	M8X1.25	M8X1.25	16	16	14	13	3,140
FP-M10-8S	FPL-M10-8S	M8X1.25	M10X1.50	20	20	18	17	3,140
FP-M10S	FPL-M10S	M10X1.50	M10X1.50	20	20	18	17	4,240
FP-M12-10S	FPL-M12-10S	M10X1.50	M12X1.75	24	24	21	19	4,240
FP-M12S	FPL-M12S	M12X1.75	M12X1.75	24	24	21	19	5,720
FP-M14-12S	FPL-M14-12S	M12X1.75	M14X2.00	28	28	25	22	5,720
FP-M14S	FPL-M14S	M14X2.00	M14X2.00	28	28	25	22	7,200
FP-M16-14S	FPL-M16-14S	M14X2.00	M16X2.00	29	29	24	24	7,200
FP-M16S	FPL-M16S	M16X2.00	M16X2.00	29	29	24	24	9,000

FPS SERIES: STUDED FEMALE ROD ENDS (IMPERIAL)

Part No. Right Hand	Part No. Left Hand	Stud Size	Housing Thread	A	B	C	K	Static Load Rating (Newtons) Radial
FP-03S	FPL-03S	3/16 UNF	3/16 UNF	0.500	0.516	0.437	0.312	1,200
FP-04-3S	FPL-04-3S	3/16 UNF	1/4 UNF	0.562	0.485	0.500	0.375	1,200
FP-04S	FPL-04S	1/4 UNF	1/4 UNF	0.562	0.485	0.500	0.375	1,930
FP-05-4S	FPL-05-4S	1/4 UNF	5/16 UNF	0.687	0.547	0.594	0.437	1,930
FP-05S	FPL-05S	5/16 UNF	5/16 UNF	0.687	0.547	0.594	0.437	3,140
FP-06-5S	FPL-06-5S	5/16 UNF	3/8 UNF	0.906	0.562	0.812	0.500	3,140
FP-06S	FPL-06S	3/8 UNF	3/8 UNF	0.906	0.562	0.812	0.500	4,240
FP-07-6S	FPL-07-6S	3/8 UNF	7/16 UNF	1.125	0.843	1.000	0.625	4,240
FP-07S	FPL-07S	7/16 UNF	7/16 UNF	1.125	0.843	1.000	0.625	5,720
FP-08-7S	FPL-08-7S	7/16 UNF	1/2 UNF	1.125	0.875	1.000	0.625	5,720
FP-08S	FPL-08S	1/2 UNF	1/2 UNF	1.125	0.875	1.000	0.625	7,200
FP-10-8S	FPL-10-8S	1/2 UNF	5/8 UNF	1.125	1.000	1.000	0.750	7,200
FP-10S	FPL-10S	5/8 UNF	5/8 UNF	1.125	1.000	1.000	0.750	9,000

For stainless steel add 'SS' to part no. For example 'FP-M05S SS'

B.S.F. threads are available from size FP-04S, (FPL-04S), and above by adding suffix "F" to the part number e.g. FP-08FS, (FPL-08FS).
Stainless steel, Grade 303L, rod ends are available by adding suffix "SS" to the part number e.g. FP-M10S-SS, (FPL-M10S-SS).