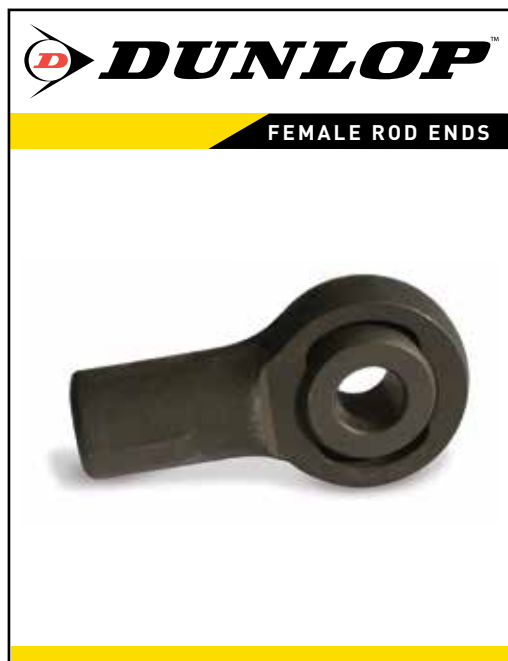


FEMALE ROD ENDS



FX SERIES

Description:

FX series Rod Ends have been developed for use in General Engineering applications where medium to high loads are encountered. Within their load carrying capacity they will withstand shock loading and high frequency oscillation.

Material Specifications:

Housing: 817M 40, heat treated to 80/90 tons/in² tensile, Phosphated all over. Ball: 100Cr 6, heat treated, Phosphated all over.

Features

Metric and Imperial sizes available
Can be used in application involving shock loading and high frequency oscillation.

Possible Applications

Medium / heavy industrial/mechanical applications
Construction equipment
Agricultural equipment and motor sport.

Temperature Range

-40°C to +150°C

Specification

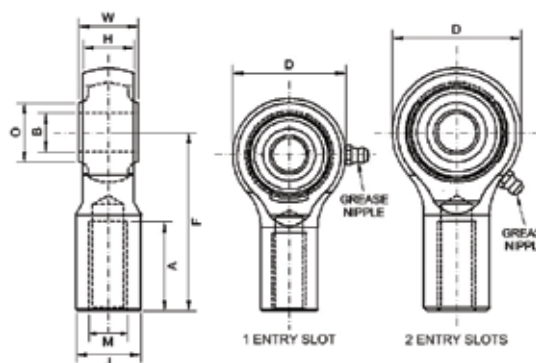
ELV & RoHS compliant

Interchange table

Dunlop	Rose	NMB
FX-M (metric)	RBJ-M	RBJ-M
FX (imperial)	RBJ	RBJ

Note: Manufacturers part numbers are used for descriptive purposes only and may not be direct equivalent products.

FX SERIES: MAINTENANCE REQUIRED ROD ENDS WITH FEMALE THREAD (METRIC)



Housing:

Forged 817M40, Heat Treated to 80/90 tons/in² tensile and Phosphate all over

Ball:

Bearing Steel 100Cr6, Heat Treated and Phosphate all over

Specification:

ELV and RoHS Compliant

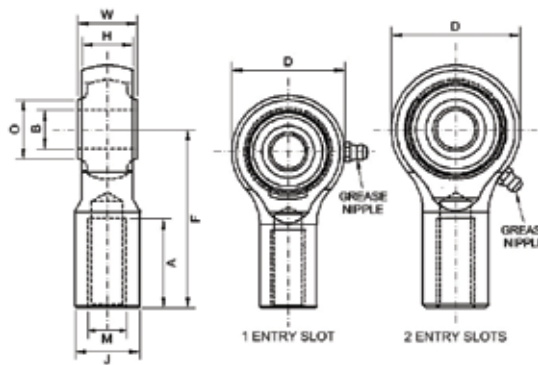


Part No. Right Hand	Part No. Left Hand	B	W	H	O	D	F	A	J	M	X	Static Load Rating (Newtons) Radial
FX-M06	FXL-M06	6	9,5	8,1	9,5	20,6	28,7	14,0	10,1	M6 x 1.00	22	11770
FX-M08C	FXL-M08C	8	11,0	9,5	11,0	23,8	33,2	17,0	11,1	M8 x 1.00	21	19610
FX-M08	FXL-M08	8	11,0	9,5	11,0	23,8	33,2	17,0	11,1	M8 x 1.25	21	19610
FX-M10C	FXL-M10C	10	14,2	12,2	14,2	31,0	41,2	21,0	15,2	M10 x 1.25	22	27460
FX-M10	FXL-M10	10	14,2	12,2	14,2	31,0	41,2	21,0	15,2	M10 x 1.50	22	27460
FX-M12CG	FXL-M12CG	12	19,0	16,2	19,0	41,2	54,2	28,0	20,3	M12 x 1.25	22	49030
FX-M12G	FXL-M12G	12	19,0	16,2	19,0	41,2	54,2	28,0	20,3	M12 x 1.75	22	49030
FX-M16CG	FXL-M16CG	16	22,2	19,0	22,2	49,2	66,7	34,0	25,4	M16 x 1.50	21	77470
FX-M16G	FXL-M16G	16	22,2	19,0	22,2	49,2	66,7	34,0	25,4	M16 x 2.00	21	77470
FX-M20CG	FXL-M20CG	20	22,2	20,6	25,4	54,0	79,2	44,0	28,5	M20 x 1.50	16	110810
FX-M20G	FXL-M20G	20	22,2	20,6	25,4	54,0	79,2	44,0	28,5	M20 x 2.50	16	110810

FEMALE ROD ENDS



FX SERIES: MAINTENANCE REQUIRED ROD ENDS WITH FEMALE THREAD (IMPERIAL)



Housing: Forged 817M40, Heat Treated to 80/90 tons/in² tensile and Phosphate all over

Ball: Bearing Steel 100Cr6, Heat Treated and Phosphate all over

Specification: ELV and RoHS Compliant



Part No. Right Hand	Part No. Left Hand	B	W	H	O	D	F	A	J	M	X	Static Load Rating [Newtons] Radial
FX-04	FXL -04	.2500	.375	.320	.375	.812	1.125	.562	.400	1/4 UNF	22	11770
FX-05	FXL-05	.3125	.437	.375	.437	.937	1.312	.687	.437	5/16 UNF	21	19610
FX-05F	FXL-05F	.3125	.437	.375	.437	.937	1.312	.687	.437	5/16 BSF	21	19610
FX-06	FXL-06	.3750	.562	.480	.562	1.218	1.625	.875	.600	3/8 UNF	22	27460
FX-06F	FXL-06F	.3750	.562	.480	.562	1.218	1.625	.875	.600	3/8 BSF	22	27460
FX-08G	FXL-08G	.5000	.750	.640	.750	1.625	2.125	1.125	.800	1/2 UNF	22	49030
FX-08FG	FXL-08FG	.5000	.750	.640	.750	1.625	2.125	1.125	.800	1/2 BSF	22	49030
FX-10G	FXL-10G	.6250	.875	.750	.875	1.937	2.625	1.375	1.000	5/8 UNF	21	77470
FX-10FG	FXL-10FG	.6250	.875	.750	.875	1.937	2.625	1.375	1.000	5/8 BSF	21	77470
FX-12G	FXL-12G	.7500	.875	.812	1.000	2.125	3.125	1.750	1.125	3/4 UNF	16	110810
FX-12G	FXL-12FG	.7500	.875	.812	1.000	2.125	3.125	1.750	1.125	3/4 BSF	16	110810
FX-16G	FXL-16G	1.0000	1.375	1.0000	1.375	3.000	4.125	2.125	1.625	1 1/4 UNF	24	150250
FX-16FG	FXL-16FG	1.0000	1.375	1.0000	1.375	3.000	4.125	2.125	1.625	1 1/4 BSF	24	150250



'G' in part number denotes grease nipple fitted.