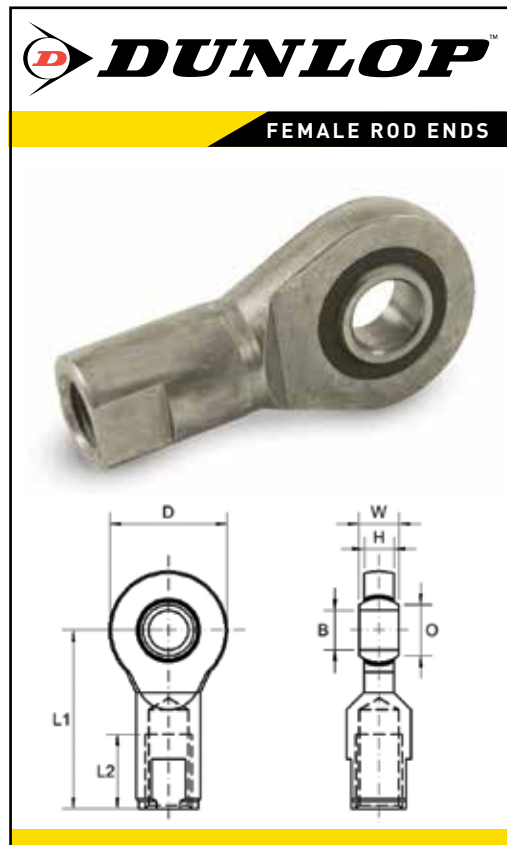


FEMALE ROD ENDS



RF SERIES: RF - RFS

Description:

RF-Series is our 3-piece thin series range of female rod ends that have been specifically designed for use with other linkage components such as clevises etc. The RM-Series design allows the rod ends head and ball to neatly slide inside of its mating clevises fork end, ideal for fitting to pre-assembled linkages. Metric and imperial bore and thread sizes are available. Standard product is supplied with a frictional load on the bearing ball, recommended for applications where misalignment may arise in an assembly.

Material Specifications:

Housing: Steel 230M07Pb, zinc plated and clear trivalent passivate and stainless steel 303L. Race: Nylon 66 glass filled with molybdenum disulphide. Ball: Bearing steel 100Cr6, hardened and electroless nickel plated and stainless steel 440C. Stud: Steel 230M07PB zinc plated and clear trivalent passivate and stainless steel 303L.

Features

- Metric thread & bore sizes
- Friction load applications
- High shock loads
- Thin section
- No maintenance
- Studded option

Possible Applications

- Light to medium industrial/mechanical
- Construction equipment
- Agricultural equipment
- Recreational vehicles

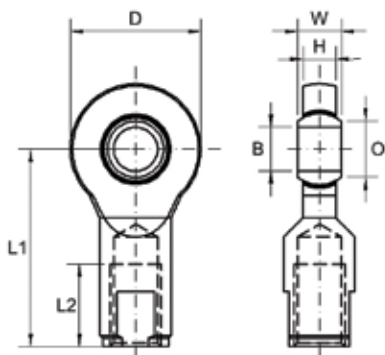
Temperature Range

-30 °C to +120 °C

Specification

ELV & RoHS compliant

RF SERIES: MAINTENANCE FREE ROD ENDS WITH FEMALE THREAD (METRIC)



Housing: Steel 230M07Pb, Zinc Plated and Clear Trivalent Passivate

Race: Nylon 66

Ball: Bearing Steel 100Cr6, Hardened and Electro-less Nickel Plated

Specification: ELV and RoHS Compliant

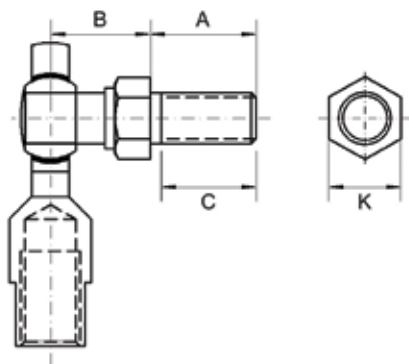


Part No. Right Hand	Part No. Left Hand	Bore Size	Thread	W	H	D	L1	L2	O	Static Load Rating (Newtons) Radial
RMF6	RMF6LH	6	M6X1.00	6	4.0	21	30	15	8.00	7,500
RMF6/2	RMF6/2LH	6	M8X1.25	6	4.0	20.7	30	15	8.00	7,500
RMF8	RMF8LH	8	M8X1.25	8	6.0	24	36	15	10.25	12,850
RMF8C	RMF8CLH	8	M8X1.00	8	6.0	24	36	15	10.25	12,850
RMF8/2	RMF8/2LH	8	M8X1.25	8	6.0	24	36	15	10.25	12,850
RMF8/3	RMF8/3LH	8	M10X1.50	8	6.0	24	36	15	10.25	12,850
RMF8/4	RMF8/4LH	8	M6X1.00	8	6.0	24	36	15	10.25	12,850
RMF8/6	RMF8/6LH	8	M10X1.50	8	6.0	24	56	35	10.25	12,850
RMF8/7	RMF8/7LH	8	M8X1.25	8	5.2	24	46	26	10.25	12,850
RMF10	RMF10LH	10	M10X1.50	9	7.0	29	43	19	13.23	17,125
RMF10C	RMF10CLH	10	M10X1.25	9	7.0	29	43	19	13.23	17,125
RMF10/4	RMF0/4LH	12	M10X1.50	9	7.0	29	43	19	13.23	17,125

FEMALE ROD ENDS



RFS SERIES: MAINTENANCE FREE ROD ENDS WITH FEMALE THREAD (METRIC)



Housing: Steel 230M07Pb, Zinc Plated and Clear Trivalent Passivate

Race: Nylon 66

Ball: Bearing Steel 100Cr6, Case Hardened and Electro-less Nickel Plated

Stud: Steel 230M07Pb, Zinc Plated and Clear Trivalent Passivate

Specification: ELV and RoHS Compliant



Part No. Right Hand	Part No. Left Hand	Stud Size	Housing Thread	A	B	C	K	Static Load Rating (Newtons) Radial
RMFS6	RMFS6LH	M6X1.00	M6X1.00	12.5	11.0	8.00	9	1,930
RMFS6/1	RMFS6/1LH	M6X1.00	1/4 UNF	0.492"	0.453"	0.470"	5/16"	1,930
RMFS6/2	RMFS6/2LH	M6X1.00	M6X1.00	12.5	11.0	11.00	8	1,930
RMFS8	RMFS8LH	M8X1.25	M8X1.25	16.5	13.0	10.00	10	3,190
RMFS8C	RMFS8CLH	M8X1.25	M8X1.00	16.5	13.0	10.00	10	3,190
RMFS8/1	RMFS8/1LH	M8X1.25	M8X1.25	19.8	10.0	18.00	11	3,190
RMFS8/2	RMFS8/2LH	M8X1.25	M6X1.00	15.2	10.2	13.25	11	3,190
RMFS8/4	RMFS8/4LH	M8X1.25	M8X1.25	19.8	10.0	14.20	11	3,190
RMFS8/5	RMFS8/5LH	M8X1.25	M8X1.25	16.5	13.0	15.00	11	3,190
RMFS10	RMFS10LH	M10X1.50	M10X1.50	20.0	13.0	18.00	13	4,240
RMFS10C	RMFS10CLH	M10X1.50	M10X1.25	20.0	13.0	18.00	13	4,240
RMFS10/2	RMFS10/2LH	M10X1.50	M10X1.50	20.0	16.0	18.00	13	4,240
RMFS10/3	RMFS10/3LH	M10X1.50	M10X1.25	20.0	16.0	18.00	13	4,240



For stainless steel add 'SS' to part no. For example 'RMF6 SS' and RMF6S SS