



MALE ROD ENDS

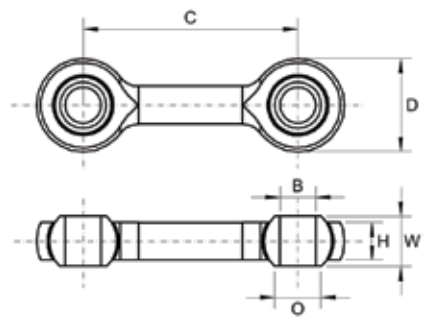
-  **English**
-  **Español**
-  **Italiano**
-  **Deutsch**
-  **Français**
-  **Nederlands**
-  **Polskie**

MP series Serie MP • Serie MP • MP-Serie Série MP • MP-serie • seria MP	18
MH series Serie MH • Serie MH • MH-Serie Série MH • MH-serie • seria MH	22
RM series Serie RM • Serie RM • RM-Serie Série RM • RM-serie • seria RM	25
MB series Serie MB • Serie MB • MB-Serie Série MB • MB-serie • seria MB	27
MS series Serie MS • Serie MS • MS-Serie Série MS • MS-serie • seria MS	30
MSX series Serie MSX • Serie MSX • MSX-Serie Série MSX • MSX-serie • seria MSX	34
MX series Serie MX • Serie MX • MX-Serie Série MX • MX-serie • seria MX	36

MALE ROD ENDS



MALE ROD ENDS



DB SERIES: DBM - DBI

Description:

DB-Series is our 3-piece 'dog bone' range of rod ends primarily based on our MP-Series with regards to function and structure. A wide range of preset centre distances are available. Suitable for light to medium industrial/mechanical load applications requiring low friction, with good wear resistance and available in both metric and imperial bore sizes. They have excellent moisture resistance and require no maintenance.

Material Specifications:

Housing: Steel 230M07PB zinc plated and clear trivalent passivate.
Race: GR-nylon LV-3H. Ball: Bearing steel 100Cr6, hardened and electroless nickel plated.

Features:

Metric & imperial thread & bore sizes
Low friction
Self-lubricating
Good wear resistance
Excellent moisture resistance
No maintenance

Possible Applications:

Light to medium/heavy industrial/mechanical applications
Construction equipment
Agricultural equipment
Recreational vehicles

Temperature Range:

-30°C to +170°C

Specification:

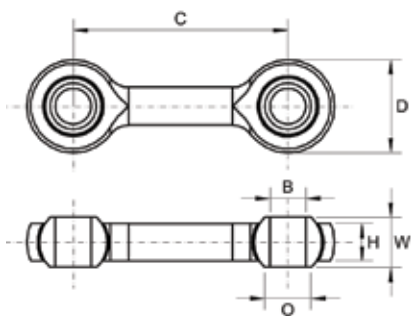
ELV & RoHS compliant



MALE ROD ENDS



DB SERIES: MAINTENANCE FREE DOG BONE ROD ENDS (IMPERIAL)



Housing: Steel 230M07Pb, Zinc Plated and Clear Trivalent Passivate

Race: GR-Nylon, LV-3H

Ball: Bearing Steel 100Cr6, Hardened and Electro-less Nickel Plated



Part No.	Bore Size	C	W	H	D	O	Liner	Static Load Rating (Newtons) Radial
DB-SA-076	5/16	60.0	0.437	0.344	0.875	0.447	GR-NYLON	6,880
DB-SA-158	5/16	75.0	0.437	0.344	0.875	0.447	GR-NYLON	12,010
DB-SA-067	5/16	80.0	0.437	0.344	0.875	0.447	GR-NYLON	12,010
DB-SA-128	5/16	82.5	0.437	0.344	0.875	0.447	GR-NYLON	12,010
DB-SA-162	3/8	50.0	0.500	0.406	1.000	0.516	GR-NYLON	12,830
DB-SA-156	3/8	60.0	0.500	0.406	1.000	0.516	GR-NYLON	12,830
DB-SA-205	3/8	60.0	0.500	0.415	1.000	0.516	SINTERED BRONZE	13,640
DB-SA-159	3/8	65.0	0.500	0.406	1.000	0.516	GR-NYLON	16,900
DB-SA-195	3/8	70.0	0.500	0.406	1.000	0.516	GR-NYLON	16,900
DB-SA-206	3/8	85.0	0.500	0.406	1.000	0.516	GR-NYLON	16,900
DB-SA-155	3/8	100.0	0.500	0.406	1.000	0.516	GR-NYLON	16,900
DB-SA-168	3/8	120.0	0.500	0.406	1.000	0.516	GR-NYLON	16,900
DB-SA-157	3/8	124.0	0.500	0.406	1.000	0.516	GR-NYLON	16,900
DB-SA-207	3/8	175.0	0.500	0.406	1.000	0.516	GR-NYLON	16,900

DB SERIES: MAINTENANCE FREE DOG BONE ROD ENDS (METRIC)

Part No.	Bore Size	C	W	H	D	O	Liner	Static Load Rating (Newtons) Radial
DB-SA-074	8	60.0	12	9.0	22	10.4	GR-NYLON	12,775
DB-SA-173	8	75.0	12	9.0	22	10.4	GR-NYLON	12,775
DB-SA-169	8	80.0	12	9.0	22	10.4	GR-NYLON	12,775
DB-SA-170	8	82.5	12	9.0	22	10.4	GR-NYLON	12,775
DB-SA-175	10	50.0	14	10.5	26	12.9	GR-NYLON	16,960
DB-SA-060	10	60.0	14	10.5	26	12.9	GR-NYLON	16,960
DB-SA-200	10	60.0	14	10.5	26	12.9	SINTERED BRONZE	16,960
DB-SA-174	10	65.0	14	10.5	26	12.9	GR-NYLON	16,960
DB-SA-196	10	70.0	14	10.5	26	12.9	GR-NYLON	16,960
DB-SA-160	10	85.0	14	10.5	26	12.9	GR-NYLON	16,960
DB-SA-171	10	100.0	14	10.5	26	12.9	GR-NYLON	16,960
DB-SA-059	10	120.0	14	10.5	26	12.9	GR-NYLON	16,960
DB-SA-172	10	124.0	14	10.5	26	12.9	GR-NYLON	16,960
DB-SA-180	10	175.0	14	10.5	26	12.9	GR-NYLON	16,960
DB-SA-355	12	151.0	16	12.0	30	15.4	SINTERED BRONZE	22,900

The above list shows our current production programme of Dog Bone rod ends. Please enquire for any item not shown.