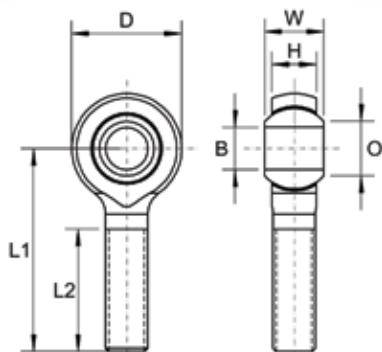


MALE ROD ENDS



MALE ROD ENDS



MB SERIES: MB – MBS

Description:

MB Series is our 3-piece standard range of maintenance required general purpose male rod ends suitable for medium heavy industrial/mechanical load applications requiring low friction and good wear resistance, available in both metric and imperial bore and thread sizes. An oil impregnated sintered bronze race is also available for some sizes or if quantity justifies production, suitable for high precision motion transfer applications and extended wear life.

Material Specifications:

Housing: Steel 230M07PB and forged 080M46, zinc plated and clear trivalent passivate. Race: Bronze SAE660. Ball: Bearing steel 100Cr6, hardened and electroless nickel plated.

Stud: Steel 230M07PB zinc plated and clear trivalent passivate.

Features:

- Metric & imperial thread & bore sizes
- Low friction
- Self-lubricating option available
- Extended wear life
- Maintenance required
- Studded option

Possible Applications

- Medium/heavy industrial/mechanical applications
- Construction equipment
- Agricultural equipment
- Recreational vehicles
- Precision equipment

Temperature Range:

-34°C to +149°C

Specification:

ELV & RoHS compliant

Interchange table

Dunlop	Rose	Tuthill	Alinabal	SKF	Asahi	IKO	Fluro
MB-M (metric)	MM	MB-M	MVM-M	SAKAC-M	JAM	POS	GAS
MB (imperial)	RM-U	MB	VM-G	-	-	POSB	-

Note: Manufacturers part numbers are used for descriptive purposes only and may not be direct equivalent products.

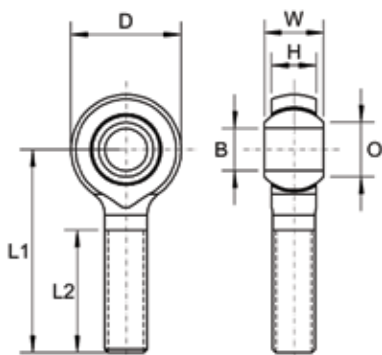


For stainless steel add 'SS' to part no. For example 'MB-M03 SS'

MALE ROD ENDS



MB SERIES: MAINTENANCE REQUIRED - ROD ENDS WITH MALE THREAD (METRIC)



Housing: Steel 230M07Pb (Sizes M03 – M12),
Forged 080M46 (Sizes M14 – M25),
Zinc Plated and Clear Trivalent Passivate

Race: Bronze SAE660

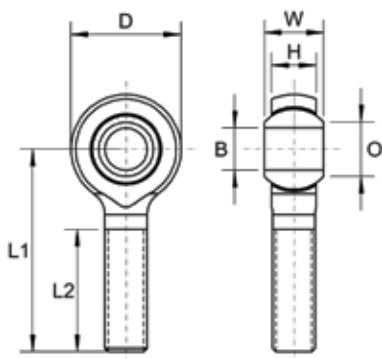
Ball: Bearing Steel 100Cr6, Hardened
Electro-less Nickel Plated

Specification: ELV and RoHS Compliant



Part No. Right Hand	Part No. Left Hand	Bore Size	Thread	W	H	D	L1	L2	O	Static Load Rating (Newtons) Radial
MB-M03	MBL-M03	3	M3X0.50	6	4.50	12	27	15	5.20	3,648
MB-M04	MBL-M04	4	M4X0.70	7	5.00	14	30	18	6.30	4,960
MB-M05	MBL-M05	5	M5X0.80	8	6.00	16	33	20	7.50	6,360
MB-M06	MBL-M06	6	M6X1.00	9	6.75	18	36	22	9.30	6,820
MB-M08	MBL-M08	8	M8X1.25	12	9.00	22	42	25	10.40	10,450
MB-M10	MBL-M10	10	M10X1.50	14	10.50	26	48	29	12.90	14,000
MB-M12	MBL-M12	12	M12X1.75	16	12.00	30	54	33	15.40	18,745
MB-M14	MBL-M14	14	M14X2.00	19	13.50	34	60	36	16.80	22,125
MB-M16	MBL-M16	16	M16X2.00	21	15.00	38	66	40	19.30	23,700
MB-M18C	MBL-M18C	18	M18X1.50	23	16.50	46	72	43	21.80	25,600
MB-M20	MBL-M20	20	M20X2.50	25	18.00	50	78	46	24.50	28,640
MB-M22	MBL-M22	22	M22X1.50	28	20.00	54	84	51	25.80	34,200
MB-M25	MBL-M25	25	M24X2.00	31	22.00	60	94	57	29.60	47,750

MB SERIES: MAINTENANCE REQUIRED - ROD ENDS WITH MALE THREAD (IMPERIAL)



Housing: Steel 230M07Pb (Sizes 03 - 07),
Forged 080M46 (Sizes 08 - 16),
Zinc Plated and Clear Trivalent Passivate

Race: Bronze SAE660

Ball: Bearing Steel 100Cr6, Hardened
and Electro-less Nickel Plated

Specification: ELV and RoHS Compliant



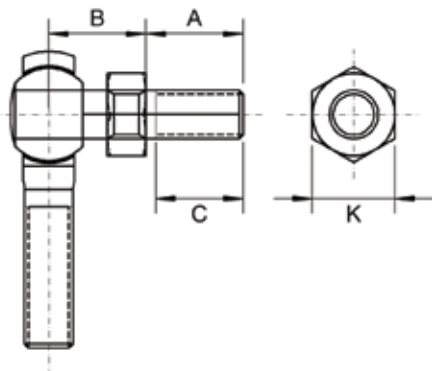
Part No. Right Hand	Part No. Left Hand	Bore Size	Thread	W	H	D	L1	L2	O	Static Load Rating (Newtons) Radial
MB-03	MBL-03	3/16	10-32 UNF	0.312	0.250	0.625	1.250	0.750	0.306	6,360
MB-04	MBL-04	1/4	1/4 UNF	0.375	0.281	0.750	1.562	1.000	0.354	6,820
MB-05	MBL-05	5/16	5/16 UNF	0.437	0.344	0.875	1.875	1.250	0.447	10,450
MB-06	MBL-06	3/8	3/8 UNF	0.500	0.406	1.000	1.938	1.250	0.516	13,640
MB-07	MBL-07	7/16	7/16 UNF	0.562	0.437	1.125	2.125	1.375	0.586	16,360
MB-08	MBL-08	1/2	1/2 UNF	0.625	0.500	1.312	2.438	1.500	0.700	19,545
MB-10	MBL-10	5/8	5/8 UNF	0.750	0.562	1.500	2.625	1.625	0.811	22,500
MB-12	MBL-12	3/4	3/4 UNF	0.875	0.685	1.750	2.875	1.750	0.978	28,640
MB-16	MBL-16	1	1" UNF	1.375	1.00	2.750	4.125	2.125	1.486	47,500

An oil impregnated Sintered Bronze race is also available for many sizes or if quantity justifies production. This will offer extended life without the need for routine maintenance i.e. maintenance free, add suffix "SPB" to part number for example MB-M10SPB. Please enquire for availability.

MALE ROD ENDS



MBS SERIES - STUDED MALE ROD ENDS (METRIC)



Housing: Steel 230M07Pb (Sizes M05 – M12)
Forged 080M46 (Sizes M14 – M16)
Zinc Plated and Clear Trivalent Passivate

Race: Bronze SAE660

Ball: Bearing Steel 100Cr6, Hardened and Electro-less Nickel Plated

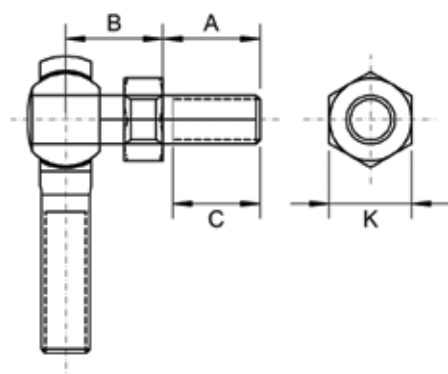
Stud: Steel 230M07Pb, Zinc Plated and Clear Trivalent Passivate

Specification: ELV and RoHS Compliant



Part No. Right Hand	Part No. Left Hand	Stud Size	Thread	A	B	C	K	Static Load Rating (Newtons) Radial
MB-M06S	MBL-M06S	M6X1.00	M6X1.00	12	12	10	10	1,930
MB-M10S	MBL-M10S	M10X1.50	M10X1.50	20	20	18	17	4,240
MB-M14S	MBL-M14S	M14X2.00	M14X2.00	28	28	25	22	7,200

MBS SERIES - STUDED MALE ROD ENDS (IMPERIAL)



Housing: Steel 230M07Pb (Sizes 03 – 07)
Forged 080M46 (Sizes 08 - 10)
Zinc Plated and Clear Trivalent Passivate

Race: Bronze SAE660

Ball: Bearing Steel 100Cr6, Hardened and Electro-less Nickel Plated

Stud: Steel 230M07Pb, Zinc Plated and Clear Trivalent Passivate

Specification: ELV and RoHS Compliant



Part No. Right Hand	Part No. Left Hand	Stud Size	Thread	A	B	C	K	Static Load Rating (Newtons) Radial
MB-03S	MBL-03S	3/16 UNF	3/16 UNF	0.500	0.516	0.437	0.312	1,200
MB-04S	MBL-04S	1/4 UNF	1/4 UNF	0.562	0.485	0.500	0.375	1,930
MB-05S	MBL-05S	5/16 UNF	5/16 UNF	0.687	0.547	0.594	0.437	3,190
MB-06S	MBL-06S	3/8 UNF	3/8 UNF	0.906	0.562	0.812	0.500	4,240
MB-07S	MBL-07S	7/16 UNF	7/16 UNF	1.125	0.843	1.000	0.625	5,720
MB-08S	MBL-08S	1/2 UNF	1/2 UNF	1.125	0.875	1.000	0.625	7,200
MB-10S	MBL-10S	5/8 UNF	5/8 UNF	1.125	1.000	1.000	0.750	9,000

B.S.F. threads are available from size MB-04S, (MBL-04S), and above by adding suffix "F" to the part number e.g. MB-08FS, (MBL-08FS). Stainless steel, Grade 303L, rod ends are available by adding suffix "SS" to the part number e.g. MB-M10S-SS, (MBL-M10S-SS).

For stainless steel add 'SS' to part no. For example 'MB-M05S SS'