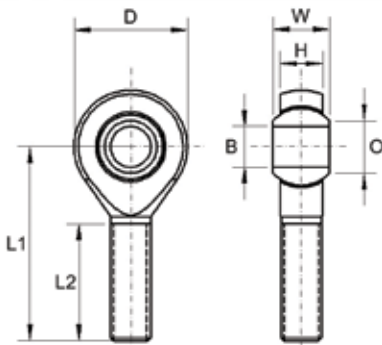


MALE ROD ENDS



MALE ROD ENDS



MS SERIES: MS – MSS – MS SS

Description:

MS Series is our 3-piece steel on steel range of male rod ends incorporating a high strength PTFE bronze mesh between the ball and the liner material, suitable for high shock loads and medium to heavy mechanical load applications requiring low friction, available in both metric and imperial bore thread sizes, they do not require maintenance.

Material Specifications:

Housing: Steel 230M07Pb and forged 080M46, zinc plated and clear trivalent passivate and stainless steel 303L and forged 304. Inner Ring: Steel 070M20 zinc plated and clear trivalent passivate. Liner: High strength PTFE bronze mesh composite. Ball: Bearing steel 100Cr6, heat treated, polished & electroless nickel plated and stainless steel 440C

Features:

Metric & imperial thread & bore sizes, low friction, high shock loads. Extended wear life No maintenance Studded and stainless steel options.

Possible Applications:

Medium/heavy industrial/mechanical applications Construction equipment Agricultural equipment Motor sport and recreational vehicles requiring high precision motion control.

Temperature Range:

-200°C to + 260°C

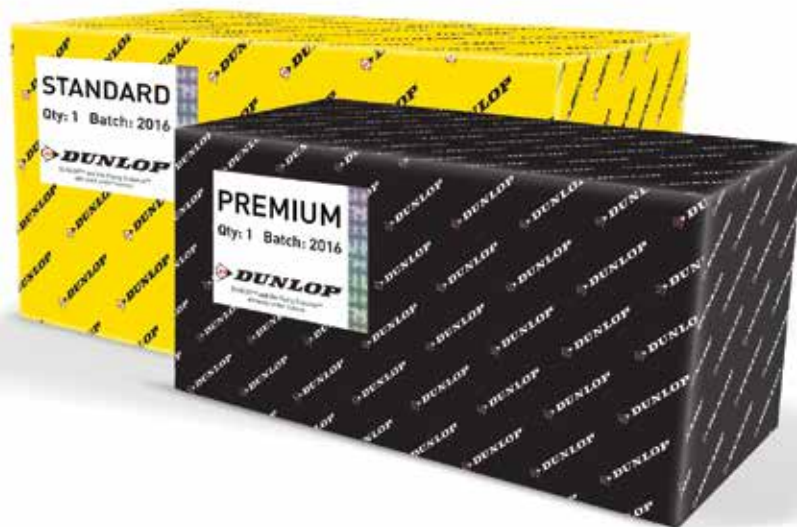
Specification:

ELV & RoHS compliant

Interchange table

Dunlop	Rose	Aurora	Askubal	SKF	ASAHI	IKO	Fluro
MS-M (metric)	MMC	MM-M-T and MB-M-T	KA-P	SAKB-F	JAM-EC	POS-EC	GASW
MS (imperial)	RMC	MM-T and MB-T	-	-		POSB-EC	

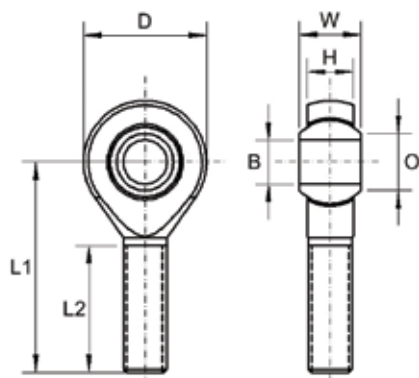
Note: Manufacturers part numbers are used for descriptive purposes only and may not be direct equivalent products.



MALE ROD ENDS



MS SERIES: MAINTENANCE FREE - ROD ENDS WITH MALE THREAD (METRIC)



- Housing:** Steel 230M07Pb (Sizes M05 – M12)
Forged 080M46 (Sizes M14 – M25)
Zinc Plated and Clear Trivalent Passivate
- Inner Ring:** Steel 070M20, Zinc Plated and Clear Trivalent Passivate
- Ball:** Bearing Steel 100Cr6, Hardened and Electro-less Nickel Plated
- Liner:** High Strength PTFE composite
- Specification:** ELV and RoHS Compliant



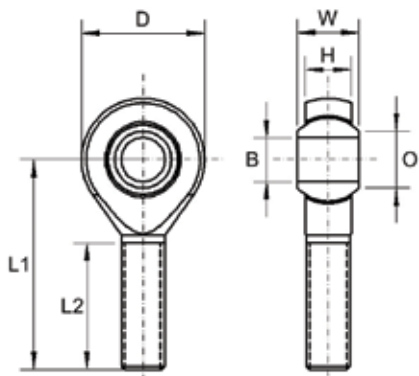
Part No. Right Hand	Part No. Left Hand	Bore Size	Thread	W	H	D	L1	L2	O	Static Load Rating (Newtons) Radial
MS-M05	MSL-M05	5	M5x0.80	8	6.00	18	33	20	7.70	4,300
MS-M06-5	MSL-M06-5	5	M6X1.00	9	6.75	20	36	22	8.90	6,000
MS-M06	MSL-M06	6	M6X1.00	9	6.75	20	36	22	8.90	6,000
MS-M08-6	MSL-M08-6	6	M8X1.25	12	9.00	24	42	25	10.40	11,100
MS-M08-6C	MSL-M08-6C	6	M8X1.00	12	9.00	24	42	25	10.40	11,100
MS-M08	MSL-M08	8	M8X1.25	12	9.00	24	42	25	10.40	11,100
MS-M08C	MSL-M08C	8	M8X1.00	12	9.00	24	42	25	10.40	11,100
MS-M10-8	MSL-M10-8	8	M10X1.50	14	10.50	28	48	29	12.90	17,500
MS-M10-8C	MSL-M10-8C	8	M10X1.25	14	10.50	28	48	29	12.90	17,500
MS-M10	MSL-M10	10	M10X1.50	14	10.50	28	48	29	12.90	17,500
MS-M10C	MSL-M10C	10	M10X1.25	14	10.50	28	48	29	12.90	17,500
MS-M12-10	MSL-M12-10	10	M12X1.75	16	12.00	32	54	33	15.40	23,600
MS-M12-10C	MSL-M12-10C	10	M12X1.25	16	12.00	32	54	33	15.40	23,600
MS-M12	MSL-M12	12	M12X1.75	16	12.00	32	54	33	15.40	23,600
MS-M12C	MSL-M12C	12	M12X1.25	16	12.00	32	54	33	15.40	23,600
MS-M14-12	MSL-M14-12	12	M14X2.00	19	13.50	36	60	38	16.80	29,200
MS-M14-12C	MSL-M14-12C	12	M14X1.50	19	13.50	36	60	38	16.80	29,200
MS-M14	MSL-M14	14	M14X2.00	19	13.50	36	60	38	16.80	29,200
MS-M14C	MSL-M14C	14	M14X1.50	19	13.50	36	60	38	16.80	29,200
MS-M16-14	MSL-M16-14	14	M16X2.00	21	15.00	42	66	40	19.30	32,100
MS-M16-14C	MSL-M16-14C	14	M16X1.50	21	15.00	42	66	40	19.30	32,100
MS-M16	MSL-M16	16	M16X2.00	21	15.00	42	66	40	19.30	32,100
MS-M16C	MSL-M16C	16	M16X1.50	21	15.00	42	66	40	19.30	32,100
MS-M18-16C	MSL-M18-16C	16	M18X1.50	23	16.50	46	72	44	21.80	38,400
MS-M18C	MSL-M18C	18	M18X1.50	23	16.50	46	72	44	21.80	38,400
MS-M20-18	MSL-M20-18	18	M20X2.50	25	18.00	50	78	47	24.30	45,000
MS-M20-18C	MSL-M20-18C	18	M20X1.50	25	18.00	50	78	47	24.30	45,000
MS-M20	MSL-M20	20	M20X2.50	25	18.00	50	78	47	24.30	45,000
MS-M20C	MSL-M20C	20	M20X1.50	25	18.00	50	78	47	24.30	45,000
MS-M22-20	MSL-M22-20	20	M22X1.50	28	20.00	54	84	51	25.80	52,750
MS-M22	MSL-M22	22	M22X1.50	28	20.00	54	84	51	25.80	52,750
MS-M25-20	MSL-M25-20	20	M24X2.00	31	22.00	60	94	57	29.60	60,900
MS-M25	MSL-M25	25	M24X2.00	31	22.00	60	94	57	29.60	60,900

For stainless steel add 'SS' to part no. For example 'MS-M05 SS'

MALE ROD ENDS



MS SERIES: MAINTENANCE FREE - ROD ENDS WITH MALE THREAD (IMPERIAL)



- Housing:** Steel 230M07Pb (Sizes 04 - 07)
Forged 080M46 (Sizes 08 - 12)
Zinc Plated and Clear Trivalent Passivate
- Inner Ring:** Steel 070M20, Zinc Plated and Clear Trivalent Passivate
- Ball:** Bearing Steel 100Cr6, Hardened and Electro-less Nickel Plated
- Liner:** High Strength PTFE Composite
- Specification:** ELV and RoHS Compliant



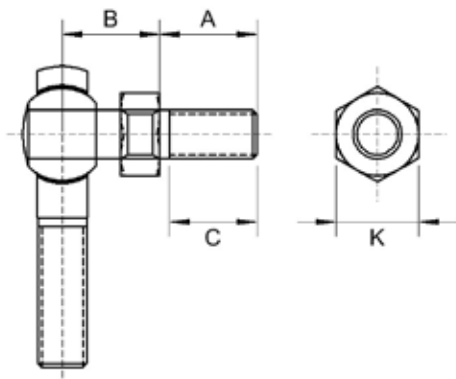
Part No. Right Hand	Part No. Left Hand	Bore Size	Thread	W	H	D	L1	L2	O	Static Load Rating (Newtons) Radial
MS-04	MSL-04	1/4	1/4 UNF	0.375	0.281	0.812	1.562	1.000	8.40	6,000
MS-04F	MSL-04F	1/4	1/4 BSF	0.375	0.281	0.812	1.562	1.000	8.40	6,000
MS-05-4	MSL-05-4	1/4	5/16 UNF	0.437	0.344	1.000	1.875	1.250	11.35	11,100
MS-05-4F	MSL-05-4F	1/4	5/16 BSF	0.437	0.344	1.000	1.875	1.250	11.35	11,100
MS-05	MSL-05	5/16	5/16 UNF	0.437	0.344	1.000	1.875	1.250	11.35	11,100
MS-05F	MSL-05F	5/16	5/16 BSF	0.437	0.344	1.000	1.875	1.250	11.35	11,100
MS-06-5	MSL-06-5	5/16	3/8 UNF	0.500	0.406	1.125	1.938	1.250	13.10	17,500
MS-06-5F	MSL-06-5F	5/16	3/8 BSF	0.500	0.406	1.125	1.938	1.250	13.10	17,500
MS-06	MSL-06	3/8	3/8 UNF	0.500	0.406	1.125	1.938	1.250	13.10	17,500
MS-06F	MSL-06F	3/8	3/8 BSF	0.500	0.406	1.125	1.938	1.250	13.10	17,500
MS-07-6	MSL-07-6	3/8	7/16 UNF	0.562	0.437	1.250	2.125	1.375	14.90	19,900
MS-07-6F	MSL-07-6F	3/8	7/16 BSF	0.562	0.437	1.250	2.125	1.375	14.90	19,900
MS-07	MSL-07	7/16	7/16 UNF	0.562	0.437	1.250	2.125	1.375	14.90	19,900
MS-07F	MSL-07F	7/16	7/16 BSF	0.562	0.437	1.250	2.125	1.375	14.90	19,900
MS-08-7	MSL-08-7	7/16	1/2 UNF	0.625	0.500	1.375	2.438	1.500	17.75	23,600
MS-08-7F	MSL-08-7F	7/16	1/2 BSF	0.625	0.500	1.375	2.438	1.500	17.75	23,600
MS-08	MSL-08	1/2	1/2 UNF	0.625	0.500	1.375	2.438	1.500	17.75	23,600
MS-08F	MSL-08F	1/2	1/2 BSF	0.625	0.500	1.375	2.438	1.500	17.75	23,600
MS-10-8	MSL-10-8	1/2	5/8 UNF	0.750	0.562	1.750	2.625	1.625	21.30	32,100
MS-10-8F	MSL-10-8F	1/2	5/8 BSF	0.750	0.562	1.750	2.625	1.625	21.30	32,100
MS-10	MSL-10	5/8	5/8 UNF	0.750	0.562	1.750	2.625	1.625	21.30	32,100
MS-10F	MSL-10F	5/8	5/8 BSF	0.750	0.562	1.750	2.625	1.625	21.30	32,100
MS-12-10	MSL-12-10	5/8	3/4 UNF	0.875	0.687	2.000	2.875	1.750	24.80	45,000
MS-12-10F	MSL-12-10F	5/8	3/4 BSF	0.875	0.687	2.000	2.875	1.750	24.80	45,000
MS-12	MSL-12	3/4	3/4 UNF	0.875	0.687	2.000	2.875	1.750	24.80	45,000
MS-12F	MSL-12F	3/4	3/4 BSF	0.875	0.687	2.000	2.875	1.750	24.80	45,000

For stainless steel add 'SS' to part no. For example 'MS-04 SS'

MALE ROD ENDS



MSS SERIES: STUDED MALE ROD ENDS (METRIC)

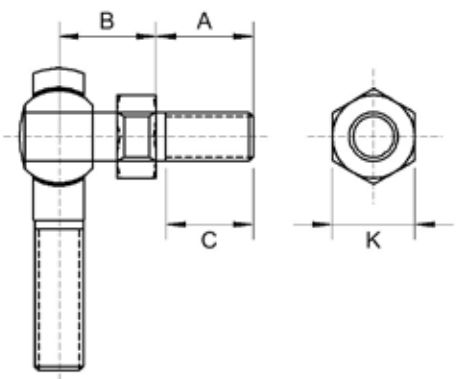


- Housing:** Steel 230M07Pb (Sizes M05 – M12)
Forged 080M46 (Sizes M14 – M16)
Zinc Plated and Clear Trivalent Passivate
- Inner Ring:** Steel 070M20, Zinc Plated and Clear Trivalent Passivate
- Ball:** Bearing Steel 100Cr6, Hardened and Electro-less Nickel Plated
- Stud:** Steel 230M07Pb, Zinc Plated and Clear Trivalent Passivate
- Liner:** High Strength PTFE Composite
- Specification:** ELV and RoHS Compliant



Part No. Right Hand	Part No. Left Hand	Stud Size	Thread	A	B	C	K	Static Load Rating (Newtons) Radial
MS-M05S	MSL-M05S	M5X0.80	M5x0.80	10	10	8	9	1,200
MS-M06S	MSL-M06S	M6X1.00	M6X1.00	12	12	10	10	1,930
MS-M08S	MSL-M08S	M8X1.25	M8X1.25	16	16	14	13	3,190
MS-M10S	MSL-M10S	M10X1.50	M10X1.50	20	20	18	17	4,240
MS-M12S	MSL-M12S	M12X1.75	M12X1.75	24	24	21	19	5,720
MS-M14S	MSL-M14S	M14X2.00	M14X2.00	28	28	25	22	7,200
MS-M16S	MSL-M16S	M16X2.00	M16X2.00	29	29	24	24	9,000

MSS SERIES: STUDED MALE ROD ENDS (IMPERIAL)



- Housing:** Steel 230M07Pb (Sizes 04 - 07)
Forged 080M46 (Sizes 08 - 10)
Zinc Plated and Clear Trivalent Passivate
- Inner Ring:** Steel 070M20, Zinc Plated and Clear Trivalent Passivate
- Ball:** Bearing Steel 100Cr6, Hardened and Electro-less Nickel Plated
- Stud:** Steel 230M07Pb, Zinc Plated and Clear Trivalent Passivate
- Liner:** High Strength PTFE Composite
- Specification:** ELV and RoHS Compliant



Part No. Right Hand	Part No. Left Hand	Stud Size	Thread	A	B	C	K	Static Load Rating (Newtons) Radial
MS-04S	MSL-04S	1/4 UNF	1/4 UNF	0.562	0.485	0.500	0.375	1,200
MS-05S	MSL-05S	5/16 UNF	5/16 UNF	0.687	0.547	0.594	0.437	3,190
MS-06S	MSL-06S	3/8 UNF	3/8 UNF	0.906	0.562	0.812	0.500	4,240
MS-07S	MSL-07S	7/16 UNF	7/16 UNF	1.125	0.843	1.000	0.625	5,720
MS-08S	MSL-08S	1/2 UNF	1/2 UNF	1.125	0.875	1.000	0.625	7,200
MS-10S	MSL-10S	5/8 UNF	5/8 UNF	1.125	1.000	1.000	0.750	9,000

For stainless steel add 'SS' to part no. For example 'MS-M05S SS'