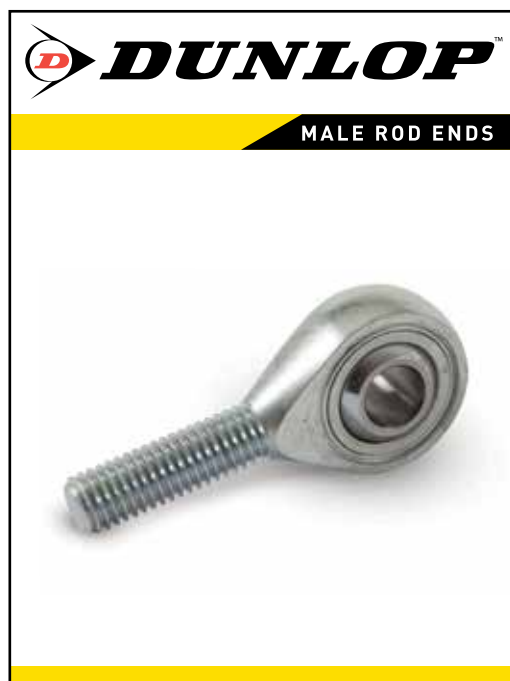


MALE ROD ENDS



MSX SERIES

Description:

MSX series is our 3-piece steel on steel high strength range of male rod ends designed for motorsport and heavy industrial mechanical load applications. Incorporating a high strength PTFE bronze mesh between the ball and the liner material, suitable for high shock loads and heavy mechanical load applications requiring low friction, available in both metric and imperial bore and thread sizes, they do not require maintenance.

Material Specifications:

Housing: Steel 708M40, heat treated, zinc plated and clear trivalent passivate. Inner Ring: Steel 070M20, zinc plated and clear trivalent passivate and stainless steel 304C. Liner High strength PTFE bronze mesh composite. Ball: 100Cr6 heat treated, polished and electroless Nickel plated and stainless steel 440C

Features:

Metric & imperial thread & bore sizes, low friction, high shock loads. Extended wear life. No maintenance. Studded and stainless steel options.

Possible Applications:

Medium/heavy industrial/mechanical applications. Construction equipment. Agricultural equipment. Motor sport and recreational vehicles requiring high precision motion control.

Temperature Range:

-200°C to + 260°C

Specification:

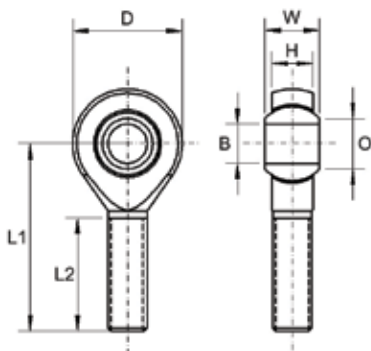
ELV & RoHS compliant

Interchange table

Dunlop	Aurora	Fluro
MSX MS-M (metric)	AM-M-T and AB-M-T	GAXSW
MSX MS (imperial)	AM-T and AB-T	

Note: Manufacturers part numbers are used for descriptive purposes only and may not be direct equivalent products.

MSX SERIES: MAINTENANCE FREE ROD ENDS WITH MALE THREAD (IMPERIAL)



Housing: Steel 708M40, Heat Treated, Zinc Plated and Clear Trivalent Passivate

Inner Ring: Steel 070M20, Zinc Plated and Clear Trivalent Passivate

Ball: Bearing Steel 100Cr6, Hardened and Electro-less Nickel Plated

Liner: High Strength PTFE Composite

Temp Range: -200°C to +260°C

Specification: ELV and RoHS Compliant

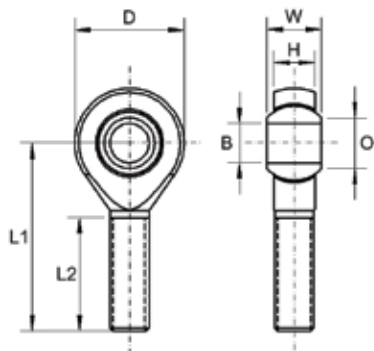


Part No. Right Hand	Part No. Left Hand	Bore size	Thread	W	H	D	L1	L2	Static Load Rating (Newtons) Radial
MSX-04-3	MSLX-04-3	3/16	1/4 UNF	0.375	0.281	0.812	1.562	1.000	9800
MSX-04	MSLX-04	1/4	1/4 UNF	0.375	0.281	0.812	1.562	1.000	9800
MSX-05-4	MSLX-05-4	1/4	5/16 UNF	0.437	0.344	1.000	1.875	1.250	19800
MSX-05	MSLX-05	5/16	5/16 UNF	0.437	0.344	1.000	1.875	1.250	19800
MSX-06-5	MSLX-06-5	5/16	3/8 UNF	0.500	0.406	1.125	1.938	1.250	31500
MSX-06	MSLX-06	3/8	3/8 UNF	0.500	0.406	1.125	1.938	1.250	31500
MSX-07-6	MSLX-07-6	3/8	7/16 UNF	0.562	0.437	1.250	2.125	1.375	35000
MSX-07	MSLX-07	7/16	7/16 UNF	0.562	0.437	1.250	2.125	1.375	35000
MSX-08-7	MSLX-08-7	7/16	1/2 UNF	0.625	0.500	1.375	2.438	1.500	42000
MSX-08	MSLX-08	1/2	1/2 UNF	0.625	0.500	1.375	2.438	1.500	42000
MSX-10-8	MSLX-10-8	1/2	5/8 UNF	0.750	0.562	1.750	2.625	1.625	67000
MSX-10	MSLX-10	5/8	5/8 UNF	0.750	0.562	1.750	2.625	1.625	67000
MSX-12-10	MSLX-12-10	5/8	3/4 UNF	0.875	0.687	2.000	2.875	1.750	93500
MSX-12	MSLX-12	3/4	3/4 UNF	0.875	0.687	2.000	2.875	1.750	93500

MALE ROD ENDS



MSX SERIES: MAINTENANCE FREE ROD ENDS WITH MALE THREAD (METRIC)



- Housing:** Steel 708M40, Heat Treated, Zinc Plated and Clear Trivalent Passivate
- Inner Ring:** Steel 070M20, Zinc Plated and Clear Trivalent Passivate
- Ball:** Bearing Steel 100Cr6, Hardened and Electro-less Nickel Plated
- Liner:** High Strength PTFE Composite
- Temp Range:** -200°C to +260°C
- Specification:** ELV and RoHS Compliant



Part No. Right Hand	Part No. Left Hand	Bore size	Thread	W	H	D	L1	L2	Static Load Rating (Newtons) Radial
MSX-M05	MSLX-M05	5	M5x0.80	8	6.00	18	33	20	8000
MSX-M06-5	MSLX-M06-5	5	M6x1.00	9	6.75	20	36	22	9800
MSX-M06	MSLX-M06	6	M6x1.00	9	6.75	20	36	22	9800
MSX-M08-6	MSLX-M08-6	6	M8x1.25	12	9.00	24	42	25	19500
MSX-M08	MSLX-M08	8	M8x1.25	12	9.00	24	42	25	19500
MSX-M10-8	MSLX-M10-8	8	M10x1.50	14	10.50	28	48	29	31500
MSX-M10-8C	MSLX-M10-8C	8	M10x1.25	14	10.50	28	48	29	31500
MSX-M10	MSLX-M10	10	M10x1.50	14	10.50	28	48	29	31500
MSX-M10C	MSLX-M10C	10	M10x1.25	14	10.50	28	48	29	31500
MSX-M12-10	MSLX-M12-10	10	M12x1.75	16	12.00	32	54	33	42000
MSX-M12-10C	MSLX-M12-10C	10	M12x1.25	16	12.00	32	54	33	42000
MSX-M12	MSLX-M12	12	M12x1.75	16	12.00	32	54	33	42000
MSX-M12C	MSLX-M12C	12	M12x1.25	16	12.00	32	54	33	42000
MSX-M14	MSLX-M14	14	M14x2.00	19	13.50	36	60	38	57000
MSX-M14C	MSLX-M14C	14	M14x1.50	19	13.50	36	60	38	57000
MSX-M16-14	MSLX-M16-14	14	M16x2.00	21	15.00	42	66	40	67000
MSX-M16-14C	MSLX-M16-14C	14	M16x1.50	21	15.00	42	66	40	67000
MSX-M16	MSLX-M16	16	M16x2.00	21	15.00	42	66	40	67000
MSX-M16C	MSLX-M16C	16	M16x1.50	21	15.00	42	66	40	67000
MSX-M20-16	MSLX-M20-16	16	M20x2.50	25	18.00	50	78	47	93500
MSX-M20-16C	MSLX-M20-16C	16	M20x1.50	25	18.00	50	78	47	93500
MSX-M20	MSLX-M20	20	M20x2.50	25	18.00	50	78	47	93500
MSX-M20C	MSLX-M20C	20	M20x1.50	25	18.00	50	78	47	93500

For stainless steel add 'SS' to part no. For example 'MSX-M05 SS'