

MALE ROD ENDS



MALE ROD ENDS



MX SERIES

Description:

MX series Rod Ends have been developed for use in General Engineering applications where medium to high loads are encountered. Within their load carrying capacity they will withstand shock loading and high frequency oscillation.

Material Specifications:

Housing: 817M 40, heat treated to 80/90 tons/in² tensile, Phosphated all over.
Ball: 100Cr 6, heat treated, Phosphated all over.

Features:

Metric and Imperial sizes available
Can be used in application involving shock loading and high frequency oscillation.

Possible Applications:

Medium / heavy industrial/mechanical applications
Construction equipment
Agricultural equipment and motor sport.

Temperature Range:

-40°C to +150°C

Specification:

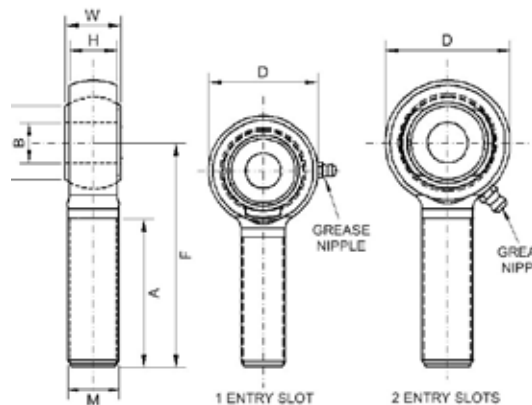
ELV & RoHS compliant

Interchange table

Dunlop	Rose	NMB
MX-M (metric)	RBJ-M	RBJ-M
MX (imperial)	RBJ	RBJ

Note: Manufacturers part numbers are used for descriptive purposes only and may not be direct equivalent products.

MX SERIES: MAINTENANCE REQUIRED ROD ENDS WITH MALE THREAD (METRIC)



Housing: Forged 817M40, Heat Treated to 80/90 tons/in² tensile and Phosphate all over

Ball: Bearing Steel 100Cr6, Heat Treated and Phosphate all over

Specification: ELV and RoHS Compliant

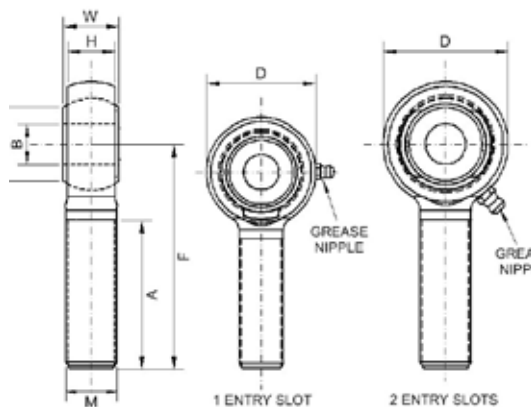


Part No. Right Hand	Part No. Left Hand	B	W	H	O	D	F	A	M	X	Static Load Rating (Newtons) Radial
MX-M08-6C	MXL-M08-6C	6	9,5	8,1	9,5	20,6	41,5	26	M8 x 1.00	22	11770
MX-M08-6	MXL-M08-6	6	9,5	8,1	9,5	20,6	41,5	26	M8 x 1.25	22	11770
MX-M10-8C	MXL-M10-8C	8	11,0	9,5	11,0	23,8	47,5	31	M10 x 1.25	21	19610
MX-M10-8	MXL-M10-8	8	11,0	9,5	11,0	23,8	47,5	31	M10 x 1.50	21	19610
MX-M12-10CG	MXL-M12-10CG	10	14,2	12,2	14,2	31,0	60,5	40	M12 x 1.25	22	27460
MX-M12-10G	MXL-M12-10G	10	14,2	12,2	14,2	31,0	60,5	40	M12 x 1.75	22	27460
MX-M16-12CG	MXL-M16-12CG	12	19,0	16,2	19,0	41,2	76,0	50	M16 x 1.50	22	49030
MX-M16-12G	MXL-M16-12G	12	19,0	16,2	19,0	41,2	76,0	50	M16 x 2.00	22	49030
MX-M20-16CG	MXL-M20-16CG	16	22,2	19,0	22,2	49,2	89,0	59	M20 x 1.50	21	77470
MX-M20-16G	MXL-M20-16G	16	22,2	19,0	22,2	49,2	89,0	59	M20 x 2.50	21	77470
MX-M24-20G	MXL-M24-20G	20	22,2	20,6	25,4	54,0	101,5	69	M24 x 2.00	16	110810

MALE ROD ENDS



MX SERIES: MAINTENANCE REQUIRED ROD ENDS WITH MALE THREAD (IMPERIAL)



Housing: Forged 817M40, Heat Treated to 80/90 tons/in² tensile and Phosphate all over

Ball: Bearing Steel 100Cr6, Heat Treated and Phosphate all over

Specification: ELV and RoHS Compliant



Part No. Right Hand	Part No. Left Hand	B	W	H	O	D	F	A	M	X	Static Load Rating (Newtons) Radial
MX-05-4	MXL-05-4	.2500	.375	.320	.375	.812	1.625	1.062	5/16 UNF	22	11770
MX-05-4F	MXL-05-4F	.2500	.375	.320	.375	.812	1.625	1.062	5/16 BSF	22	11770
MX-06-5	MXL-06-5	.3125	.437	.375	.437	.937	1.875	1.250	3/8 UNF	21	19610
MX-06-5F	MXL-06-5F	.3125	.437	.375	.437	.937	1.875	1.250	3/8 BSF	21	19610
MX-08-6G	MXL-08-6G	.3750	.562	.480	.562	1.218	2.375	1.625	1/2 UNF	22	27460
MX-08-6FG	MXL-08-6FG	.3750	.562	.480	.562	1.218	2.375	1.625	1/2 BSF	22	27460
MX-10-8G	MXL-10-8G	.5000	.750	.640	.750	1.625	3.000	2.000	5/8 UNF	22	49030
MX-10-8FG	MXL-10-8FG	.5000	.750	.640	.750	1.625	3.000	2.000	5/8 BSF	22	49030
MX-12-10G	MXL-12-10G	.6250	.875	.750	.875	1.937	3.500	2.375	3/4 UNF	21	77470
MX-12-10FG	MXL-12-10FG	.6250	.875	.750	.875	1.937	3.500	2.375	3/4 BSF	21	77470
MX-14-12G	MXL-14-12G	.7500	.875	.812	1.000	2.125	4.000	2.750	7/8 UNF	16	110810
MX-14-12FG	MXL-14-12FG	.7500	.875	.812	1.000	2.125	4.000	2.750	7/8 BSF	16	110810
MX-20F-16G	MXL-20F-16G	1.0000	1.375	1.0000	1.375	3.000	5.250	3.500	1 1/4 UNF	24	150250
MX-20F-16FG	MXL-20F-16FG	1.0000	1.375	1.0000	1.375	3.000	5.250	3.500	1 1/4 BSF	24	150250



'G' in part number denotes grease nipple is fitted.

