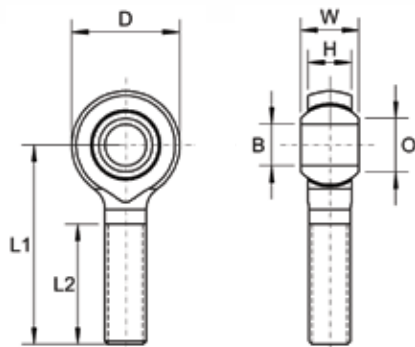


MALE ROD ENDS



MALE ROD ENDS



RM SERIES: RM - RMS - RM SS

Description:

RM series is our 3-piece thin series range of male rod ends that have been specifically designed for use with other linkage components such as clevises etc. The RM-Series design allows the rod ends head and ball to neatly slide inside of its mating clevises fork end, ideal for fitting to pre-assembled linkages. Metric and imperial bore and thread sizes are available. Standard product is supplied with a frictional load on the bearing ball, recommended for applications where misalignment may arise in an assembly.

Material Specifications:

Housing: Steel 230M07Pb, zinc plated and clear trivalent passivate. Race: Nylon 66 glass filled with molybdenum disulphide. Ball: Bearing steel 100Cr6, hardened and electroless nickel plated and. Stud: Steel 230M07PB zinc plated and clear trivalent passivate and stainless steel 303L.

Features:

- Metric thread & bore sizes
- Friction load
- High shock loads
- Thin section
- No maintenance
- Studded option

Possible Applications:

- Light to medium industrial/mechanical applications
- Construction equipment
- Agricultural equipment
- Recreational vehicles

Temperature Range:

-30°C to + 120°C

Specification:

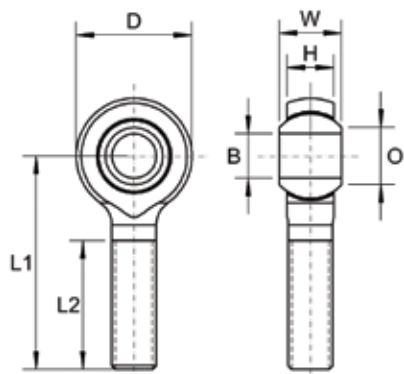
ELV & RoHS compliant



MALE ROD ENDS



RM SERIES: MAINTENANCE FREE ROD ENDS WITH MALE THREAD (METRIC)

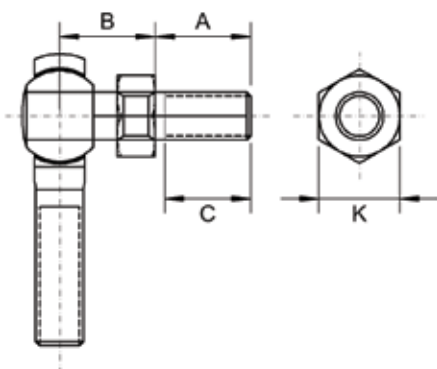


Housing: Steel 230M07Pb, Zinc Plated and Clear Trivalent Passivate
Race: Nylon 66
Ball: Bearing Steel 100Cr6, Hardened and Electro-less Nickel Plated
Specification: ELV and RoHS Compliant



Part No. Right Hand	Part No. Left Hand	Bore Size	Thread	W	H	D	L1	L2	O	Static Load Rating (Newtons) Radial
RMM6	RMM6LH	6	M6X1.00	6	4	21	36	22	8.00	1,930
RMM8	RMM8LH	8	M8X1.25	8	6	24	42	24	10.25	3,190
RMM8C	RMM8CLH	8	M8X1.00	8	6	24	42	24	10.25	3,190
RMM10	RMM10LH	10	M10X1.50	9	7	29	48	29	13.23	4,240
RMM10C	RMM10CLH	10	M10X1.25	9	7	29	48	29	13.23	4,240

RMS SERIES: MAINTENANCE FREE ROD ENDS WITH MALE THREAD (METRIC)



Housing: Steel 230M07Pb, Zinc Plated and Clear Trivalent Passivate
Race: Nylon 66
Ball: Bearing Steel 100Cr6, Hardened and Electro-less Nickel Plated
Stud: Steel 230M07Pb, Zinc Plated and Clear Trivalent Passivate
Specification: ELV and RoHS Compliant



Part No. Right Hand	Part No. Left Hand	Stud Size	Thread	A	B	C	K	Static Load Rating (Newtons) Radial
RMM6S	RMM6SLH	M6X1.00	M6X1.00	12.5	11.0	10.5	8	1,930
RMM8S	RMM8SLH	M8X1.25	M8X1.25	16.5	13.0	14.5	11	3,190
RMM8CS	RMM8CSLH	M8X1.25	M8X1.00	16.5	13.0	14.5	11	3,190
RMM10S	RMM10SLH	M10X1.50	M10X1.50	20.0	16.0	12.0	13	4,240
RMM10CS	RMM10CSLH	M10X1.5	M10X1.25	20.0	16.0	12.0	13	4,240