



RODAVIGO, S.A.
RODAMIENTOS VIGO, S.A.

www.rodavigo.net

+34 986 288118
Servicio de Att. al Cliente



Series

SD 500





series
SD 500



P55°



P90°



P120°



P150°



P180°



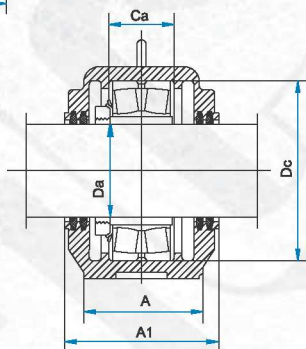
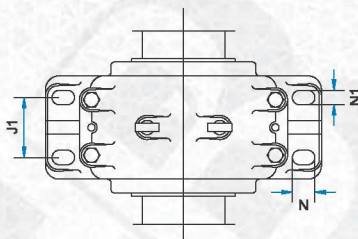
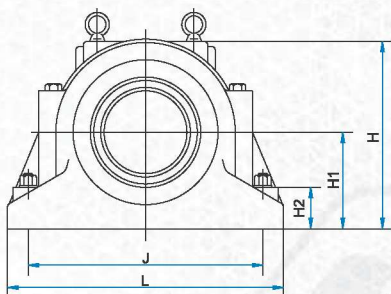
Pa

| Housing Size | Breaking loads | | | | | |
|-----------------|----------------|------------|-------------|-------------|-------------|----------|
| | P55° kN | P90° kN | P120° kN | P150° kN | P180° kN | Pa kN |
| SD 530 | 2250 | 1100 | 830 | 740 | 920 | 600 |
| SD 532 | 2600 | 1250 | 920 | 830 | 1030 | 670 |
| SD 534 | 2850 | 1400 | 1070 | 940 | 1150 | 750 |
| SD 536 | 3000 | 1530 | 1150 | 960 | 1250 | 900 |
| SD 538 | 3700 | 1900 | 1400 | 1300 | 1600 | 1000 |
| SD 540 | 4200 | 2000 | 1500 | 1400 | 1700 | 1050 |
| SD 544 | 4900 | 2300 | 1700 | 1500 | 1900 | 1200 |
| SD 548 | 6400 | 2350 | 1750 | 1550 | 1950 | 1270 |
| SD 552 | 8000 | 3100 | 2350 | 2000 | 2500 | 1450 |
| SD 556 | 8400 | 4000 | 2950 | 2400 | 2550 | 1700 |
| SD 560 | 8700 | 4600 | 3300 | 2650 | 2900 | 1920 |
| SD 564 | 9600 | 5000 | 3750 | 3300 | 3100 | 2100 |



EN ISO 9001 : 2000

series
SD 500



| Da | HOUSING NO | DIMENSIONS | | | | | | | | | | | LOCATING RING | FELT STRIP | BEARING NO | ADAPTERNO | Kg | |
|-----|------------|------------|-----|-----|-----|-----|-----|-----|-----|-----|------|----|---------------|------------|------------|-----------|--------|-----|
| | | A | Al | Ca | Dc | H | H1 | H2 | J | J1 | L | N | | | | | | N1 |
| 135 | SD 530 | 220 | 240 | 83 | 270 | 320 | 160 | 55 | 450 | 120 | 550 | 45 | 33 | FRB 10/270 | 4 FS 510 | 22230 K | H 3130 | 76 |
| 140 | SD 532 | 230 | 250 | 90 | 290 | 340 | 170 | 55 | 480 | 130 | 580 | 45 | 33 | FRB 10/290 | 4 FS 680 | 22232 K | H 3132 | 87 |
| 150 | SD 534 | 250 | 270 | 96 | 310 | 360 | 180 | 60 | 510 | 140 | 620 | 50 | 36 | FRB 10/310 | 4 FS 680 | 22234 K | H 3134 | 105 |
| 160 | SD 536 | 260 | 280 | 96 | 320 | 380 | 190 | 60 | 540 | 150 | 650 | 50 | 36 | FRB 10/320 | 4 FS 680 | 22236 K | H 3136 | 118 |
| 170 | SD 538 | 280 | 290 | 102 | 340 | 400 | 200 | 65 | 570 | 160 | 700 | 55 | 40 | FRB 10/340 | 4 FS 680 | 22238 K | H 3138 | 136 |
| 180 | SD 540 | 290 | 300 | 108 | 360 | 420 | 210 | 65 | 610 | 170 | 740 | 55 | 40 | FRB 10/360 | 4 FS 680 | 22240 K | H 3140 | 170 |
| 200 | SD 544 | 320 | 330 | 118 | 400 | 475 | 240 | 70 | 680 | 190 | 820 | 62 | 42 | FRB 10/400 | 4 FS 950 | 22244 K | H 3144 | 216 |
| 220 | SD 548 | 330 | 340 | 130 | 440 | 515 | 260 | 85 | 740 | 200 | 880 | 65 | 45 | FRB 10/440 | 4 FS 950 | 22248 K | H 3148 | 258 |
| 240 | SD 552 | 360 | 370 | 140 | 480 | 555 | 280 | 85 | 790 | 210 | 940 | 65 | 45 | FRB 10/480 | 4 FS 1120 | 22252 K | H 3152 | 323 |
| 260 | SD 556 | 380 | 390 | 140 | 500 | 590 | 300 | 100 | 830 | 230 | 990 | 77 | 52 | FRB 10/500 | 4 FS 1120 | 22256 K | H 3156 | 404 |
| 280 | SD 560 | 400 | 410 | 150 | 540 | 640 | 325 | 100 | 890 | 250 | 1060 | 77 | 52 | FRB 10/540 | 4 FS 1220 | 22260 K | H 3160 | 480 |
| 300 | SD 564 | 430 | 440 | 160 | 580 | 690 | 355 | 110 | 930 | 270 | 1110 | 85 | 56 | FRB 10/580 | 4 FS 1220 | 22264 K | H 3164 | 605 |