



RODAVIGO, S.A.
RODAMIENTOS VIGO, S.A.

www.rodavigo.net

+34 986 288118
Servicio de Att. al Cliente



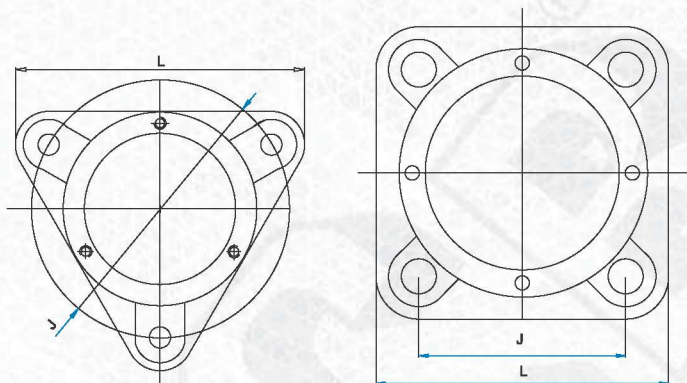
Series

722500

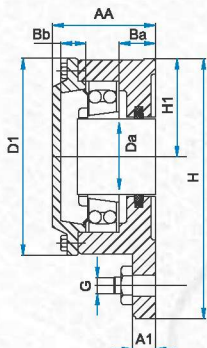
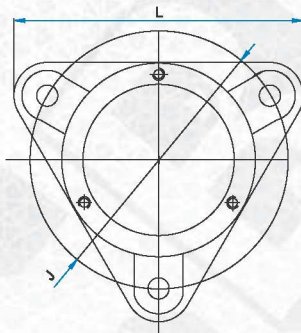




series
722500



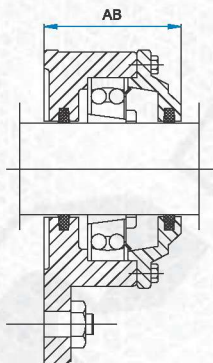
Housing Size	Breaking loads		
	P ₀ KN	P ₆₀ KN	P ₁₈₀ KN
722505	50	40	80
722506	60	45	85
722507	70	50	90
722508	80	55	95
722509	90	60	100
722510	100	65	105
722511	110	80	110
722512	120	95	115
722513	130	110	190
722515	140	125	265
722516	150	140	340
722517	160	155	415
722518	170	170	490
722520	180	185	565
722522	190	200	640

series
722500

722500DA


SHAFT DIAMETER	HOUSING NO	DIMENSIONS										
		AA	AB	A1	Ba	Bb	D1	H	H1	J	L	G
20	722505	51,5	56,5	10	15	12,5	75	100	38	96	110	10
25	722506	57	59,5	12	16	15	86	117	44	116	130	10
30	722507	59,5	63,5	12	16	14,5	97	130	48,5	130	145	12
35	722508	64	65,5	12	17	18	108	143	54	140	160	12
40	722509	64,5	69,5	12	19	16,5	113	160	60	160	180	12
45	722510	68,5	73	15	22	17,5	118	160	60	160	180	12
50	722511	75,5	81,5	15	24	19,5	128	172	65	170	192	12
55	722512	77	82	15	23	19	142	189	72	180	210	12
60	722513	80	86	15	22	20	152	203	78	190	225	12



series
722500

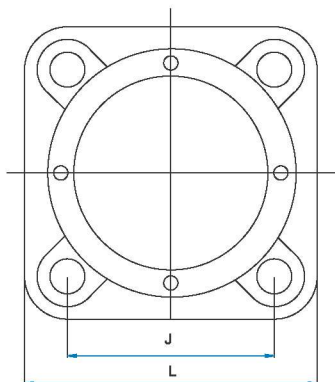
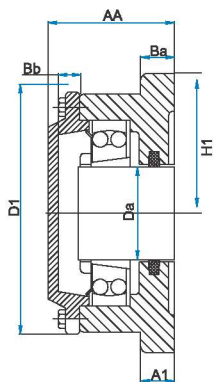


722500DB

SHAFT DIAMETER Da	HOUSING FOR SHAFT END	HOUSING FOR THROUGH SHAFT	LOCATING RING	BEARING NO	ADAPTER NO	FELT STRIP	Kg
20	722505 A	722505 B	1 FRB 5/52	1205 K	H 205	FS 110	1,1
			1 ZW 42x52	2205 K	H 305		
25	722506 A	722506 B	1 FRB 8/62	1206 K	H 206	FS 190	1,5
			1 ZW 50x62	2206 K	H 306		
30	722507 A	722507 B	1 FRB 8/72	1207 K	H 207	FS 190	1,8
			1 ZW 65x72	2207 K	H 307		
			1 ZW 65x72	22207 K	H 307		
35	722508 A	722508 B	1 FRB 8/80	1208 K	H 208	FS 190	2,3
			1 ZW 70x80	2208 K	H 308		
			1 ZW 70x80	22208 K	H 308		
40	722509 A	722509 B	1 FRB 6/85	1209 K	H 209	FS 190	3
			1 ZW 75x85	2209 K	H 309		
			1 ZW 75x85	22209 K	H 309		
45	722510 A	722510 B	1 FRB 5/90	1210 K	H 210	FS 190	3
			1 ZW 80x90	2210 K	H 310		
			1 ZW 80x90	22210 K	H 310		
50	722511 A	722511 B	1 FRB 6/100	1211 K	H 211	FS 260	4,1
			1 ZW 85x100	2211 K	H311		
			1 ZW 85x100	22211 K	H311		
55	722512 A	722512 B	1 FRB 8/110	1212 K	H 212	FS 260	4,8
			1 ZW 90x110	2212 K	H 312		
			1 ZW 90x110	22212 K	H 312		
60	722513 A	722513 B	1 FRB 10/120	1213 K	H 213	FS 260	5,9
			1 FRB 2/120	2213 K	H 313		
			1 FRB 2/120	22213 K	H 313		



series
722500

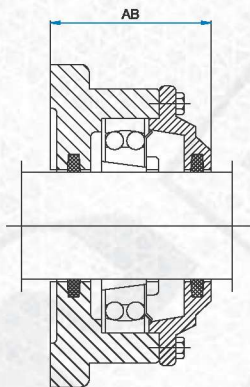


722500DA

SHAFT DIAMETER	HOUSING NO	DIMENSIONS									
		AA	AB	A1	Ba	Bb	D1	H1	J	L	G
65	722515	104	104	25	30	27	168	95	152	190	16
70	722516	110	110	25	31	30	176	98	152	196	16
75	722517	114	114	25	31	30	188	105	170	210	16
80	722518	118	118	25	30	31	198	105	170	210	16
90	722520	127	127	30	30	33	224	125	198	250	20
100	722522	137	137	30	30	38	246	135	219	270	20



series
722500



722500DB

SHAFT DIAMETER Da	HOUSING FOR SHAFT END	HOUSING FOR THROUGH SHAFT	LOCATING RING	BEARING NO	ADAPTER NO	FELT STRIP	Kg
65	722515 A	722515 B	2 FRB 8/130	1215 K	H 215	FS 260	9,4
			1 FRB 10/130	2215 K	H 315		
			1 FRB 10/130	22215 K	H 315		
70	722516 A	722516 B	2 FRB 8,5/140	1216 K	H 216	FS 330	9,8
			1 FRB 10/140	2216 K	H 316		
			1 FRB 10/140	22216 K	H 316		
75	722517 A	722517 B	2 FRB 9/150	1217 K	H 217	FS 300	11,5
			1 FRB 10/150	2217 K	H 317		
			1 FRB 10/150	22217 K	H 317		
80	722518 A	722518 B	2 FRB 10/160	1218 K	H 218	FS 330	12,5
			1 FRB 10/160	2218 K	H 318		
			1 FRB 10/160	22218 K	H 318		
90	722520 A	722520 B	1 FRB 10/180	1220 K	H 220	FS 370	18
			1 FRB 12/180				
			1 FRB 10/180	22220 K	H 320		
100	722522 A	722522 B	1 FRB 10/180	23220 K	H 2320	FS 460	21,5
			2 FRB 12,5/200	1222 K	H 222		
			1 FRB 10/200	2222 K	H 322		
			1 FRB 10/200	22222 K	H 322		