

SPCH/080003/X

Impact cylinders
0 ... 120 Joule

- Robust and compact design
- Patented, adjustable impact force
- External monitoring of striking pin
- Optional function indicator
- Ideally suited for the removal of slag in waste to energy conversion facilities
- Patented, integrated force compensation for undamped oscillation knocked components
- Efficient and optimized use of pneumatic power

Technical Data

Medium:
Compressed air, filtered (40 µm), lubricated or non-lubricated

Operation:
Single-acting impact cylinder

Operating pressure:
3 ... 7,5 bar

Port size:
Tube O/D Ø 10 mm

Max. impact energy:
120 Joule

Weight:
10,8 kg

Fluid temperature:
-20 ... +50°C max.

Ambient temperature:
-20 ... +80°C max.
Air supply must be dry enough to avoid ice formation at temperatures below +2°C.

Materials

Barrel and end covers:
Anodized aluminum

Piston & striking pin:
1.4021

Piston seals:
PUR

Stricking pin seals:
FPM

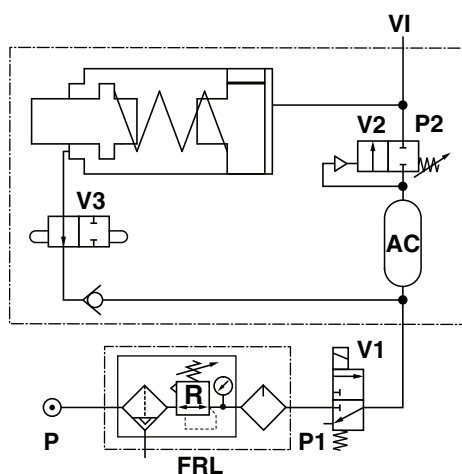
Other seals:
NBR



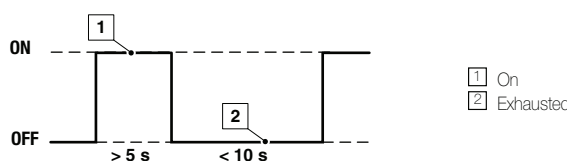
● Technical data - standard models

Operating pressure (bar)	3,5	4,5	5,5	6,5	7,5
Release pressure (bar)	3,0	4,0	5,0	6,0	7,0
Impact energy (Joule)	40	50	70	100	120
Air consumption (l/cycle)	7,5	9,5	11,5	13,6	15,7
Sound level at 1 m distance [dB (A)]	94	96	98	99	100

● Symbol & frequency of operating cycles



- AC Air reservoir
- FRL Air line combination unit, to be ordered separately
- P Main pressure
- P1 Operating pressure
- P2 Release pressure
- R Pressure regulator, setting of P1 and P2
- V1 Control valve, to be ordered separately
- V2 Pilot actuated valve, integrated
- V3 Valve actuated by the striking pin, integrated
- VI Optional port for visual indicator



SPCH/080003/X

Impact cylinders
0 ... 120 Joule

● Option selector

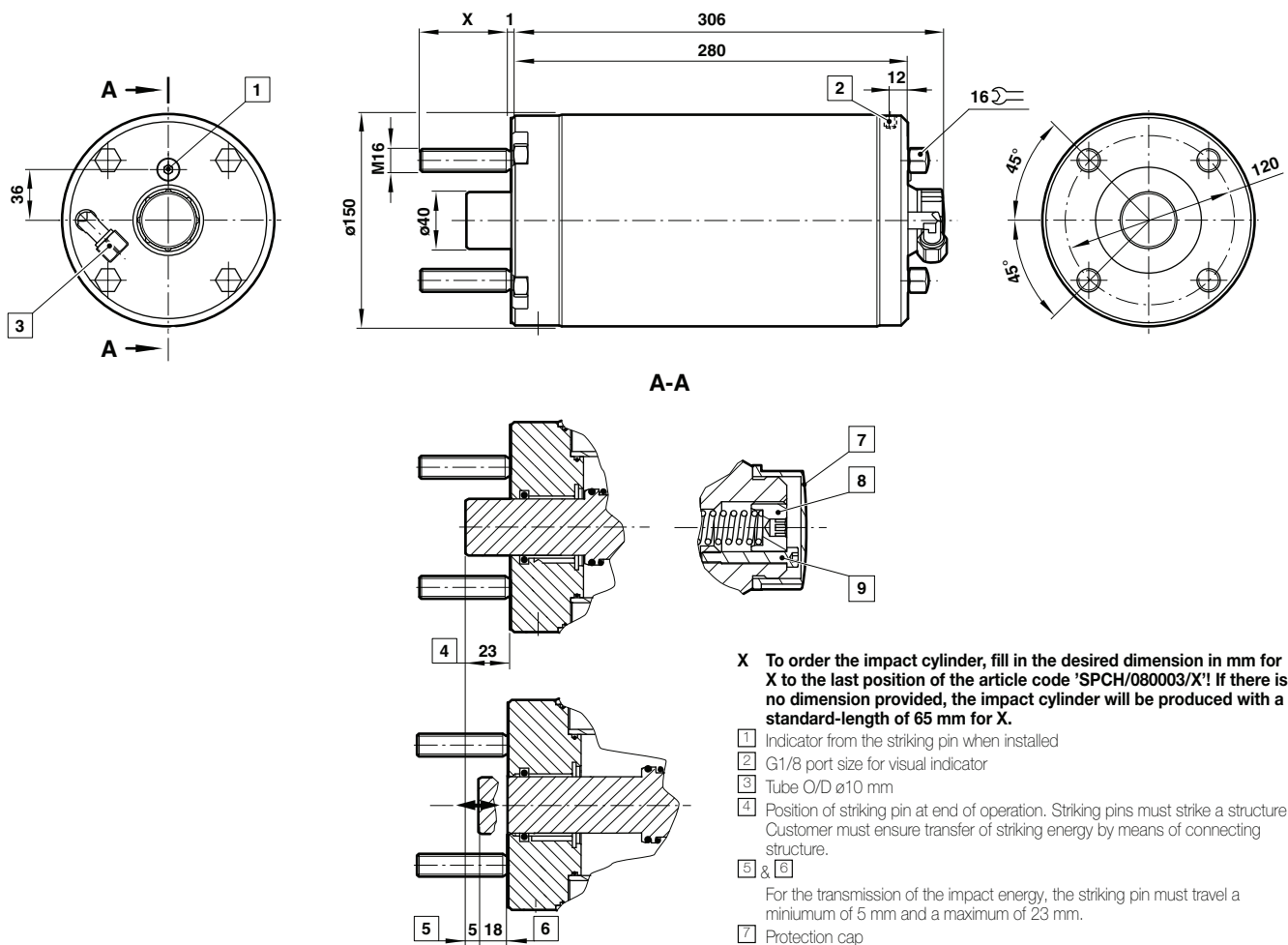
SPCH/080003/X

Length of screw bolts	Substitute
65 mm (Standard)	None
Option for customer to specify (e.g. 85 mm)	/85

● Accessories

Visual indicators & nipple adaptor	Welding flange	Tool for wear monitoring (Striking pin)	Service kit
			
5VS-421-800 150201818 (nipple adaptor)	SPCH/090036/120	SPCH/080014	SPCH/080003/00

● Dimensions



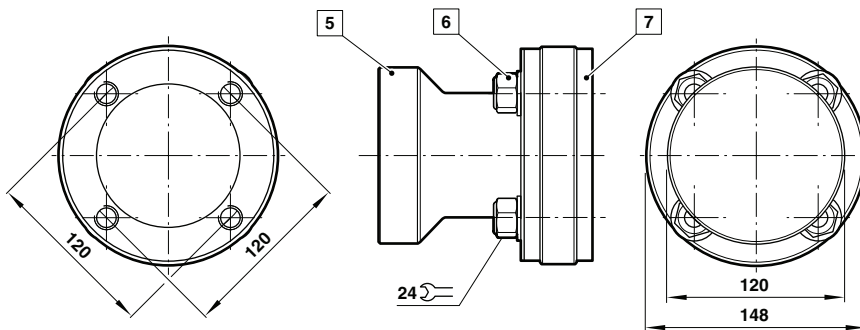
X To order the impact cylinder, fill in the desired dimension in mm for X to the last position of the article code 'SPCH/080003/X'! If there is no dimension provided, the impact cylinder will be produced with a standard-length of 65 mm for X.

- 1 Indicator from the striking pin when installed
 - 2 G1/8 port size for visual indicator
 - 3 Tube O/D 10 mm
 - 4 Position of striking pin at end of operation. Striking pins must strike a structure. Customer must ensure transfer of striking energy by means of connecting structure.
 - 5 & 6 For the transmission of the impact energy, the striking pin must travel a minimum of 5 mm and a maximum of 23 mm.
 - 7 Protection cap
 - 8 Fixing screw
 - 9 Adjustment screw
- The striking pin will travel 23 mm, if the impact cylinder is mounted flush.

SPCH/080003/X

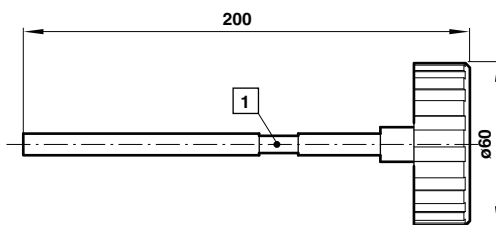
Impact cylinders
0 ... 120 Joule

Welding flange



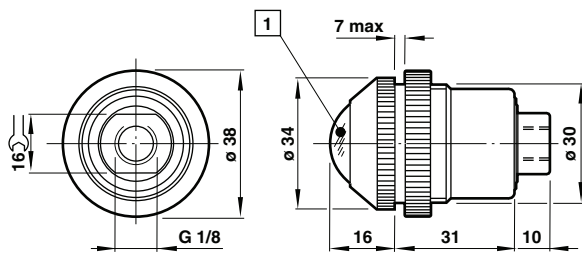
- 5 Welding bevel
- 6 Locknut M 16
- 7 Rubber buffer

Tool for wear monitoring (striking pin)

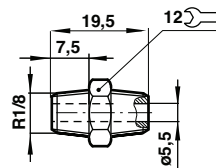


- 1 Control area

Visual indicator



Nipple adaptor



- 1 Visual indicators
Red (pressure present)
Green (no pressure present)