

82870

Pneumatic controllers, pneumatically actuated
Internal thread P = G1/8, Z = G1/4

- Compact design
- Switching time and interval adjustable
- Fully pneumatic controller, suitable for robust operation
- Ideal for use in hazardous zones

Technical Data

Fluid (control section):
Filtered air – compressed air supply via conditioning unit with a 5 ... 10 µm filter, without oiler (for unpurified compressed air we recommend an additional 50 ... 75 µm primary filter)

Reproducibility:
±5%

Mounting position:
Optional

Interval:
Adjustable 2 ... 200 s, set on about 10 s in factory

Pulse time:
Adjustable 30 ... 1.000 ms, approx ca. 200 ms

Temperature range:
0 ... +70°C (+32 ... +158°F),
-25 ... +70°C (-13 ... +158°F)
for dry air

Ambient temperature:
-20 ... +40°C (-4 ... +104°F)

Protection class:
II 2GD c IIB T85°C
IM2c

Materials

Body:
Grey cast iron



● Technical data - standard models

Wiper arm (valve venting) operated by spring return in the cylinder

Symbol	Number of control ports *1)	Control section Pressure port P	Operating pressure Control section (bar)	Operating section Control port Z	Operating pressure Operating section (bar)	Operating section (psi)	Weight (kg)	Model
	10	G1/8	2 ... 8	G1/4	0,5 ... 8	7,25 ... 116	7,8	8287054.0000.00000
	12	G1/8	2 ... 8	G1/4	0,5 ... 8	7,25 ... 116	7,8	8287154.0000.00000
	14	G1/8	2 ... 8	G1/4	0,5 ... 8	7,25 ... 116	7,8	8287254.0000.00000
	16	G1/8	2 ... 8	G1/4	0,5 ... 8	7,25 ... 116	10,9	8287354.0000.00000
	20	G1/8	2 ... 8	G1/4	0,5 ... 8	7,25 ... 116	10,9	8287554.0000.00000

*1) Control ports not required have to be sealed with a plug

● Option selector

8287★54.0000.00000

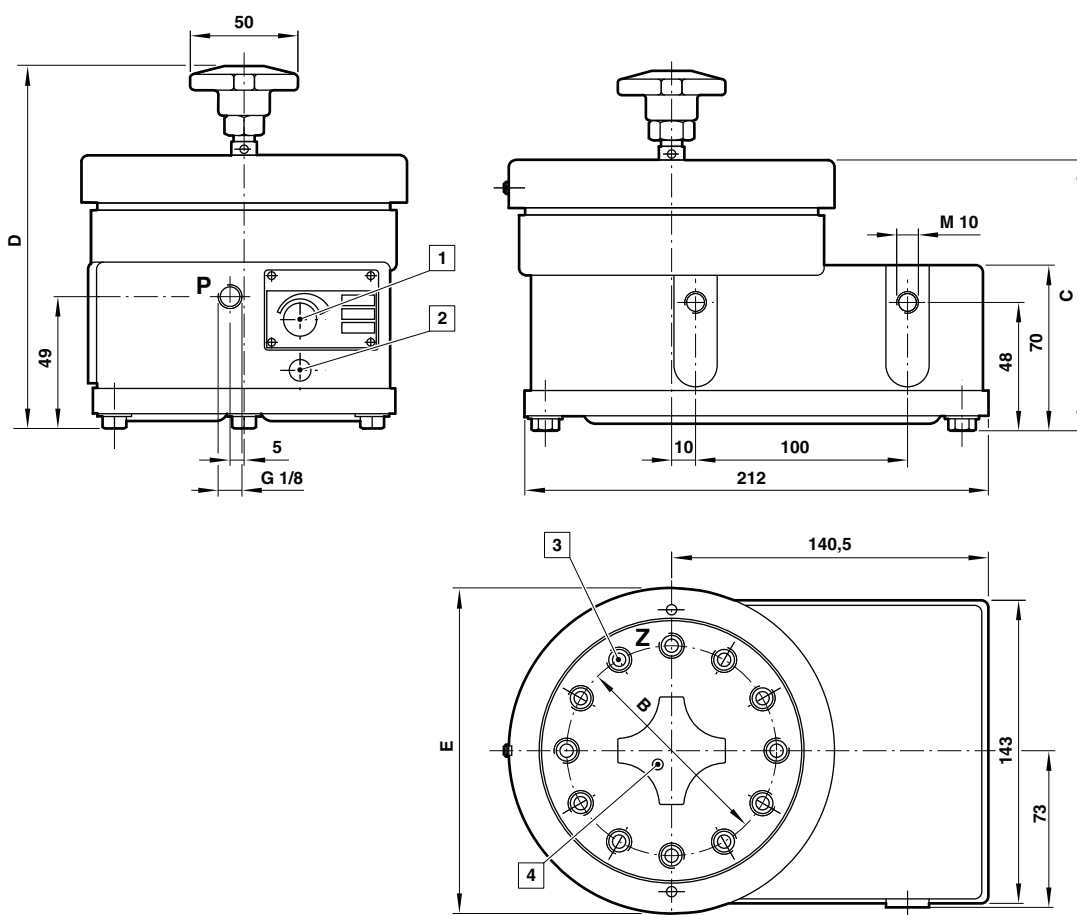
Number of control ports *1)	Substitute
10	0
12	1
14	2
16	3
20	5

Valve options	Substitute
Units with 18 control ports available	On request

82870

Pneumatic controllers, pneumatically actuated
Internal thread P = G1/8, Z = G1/4

● Dimensions



- 1 Interval-adjustment
- 2 Silencer
- 3 Control port G1/4
- 4 Dot indicates the position of the wiper arm

Number of control ports *1)	B	C	D	E	Model
10	95	115	167	150	8287054.0000.00000
12	100	115	167	150	8287154.0000.00000
14	100	115	167	150	8287254.0000.00000
16	140	125	170	190	8287354.0000.00000
20	140	125	170	190	8287554.0000.00000