

B72G

Excelon® 72

Filters / regulators, 1/4, 3/8 (G and PTF)

- Excelon® design allows in-line installation or modular installation with other Excelon® products
- High efficiency water and particle removal
- Quick release bayonet bowl
- Push to lock adjusting knob with tamper resistant accessory

Technical Data

Medium:
Compressed air only

Max. inlet pressure:
10 bar (transparent bowl)

Pressure range:
0,3 ... 10 bar (4 ... 145 psi) standard
0,3 ... 4 bar (4 ... 58 psi) optional
0,3 ... 2 bar (4 ... 29 psi) optional

Filter element:
40 µm standard, 5 µm optional

Port size:
G1/4, G3/8, 1/4 PTF, 1/8 PTF

Gauge port:
Rc 1/8 with ISO G main ports
1/8 PTF with PTF main port

Drain:
Manual, automatic or semi-automatic

Relieving:
Standard

Fluid/Ambient temperature:
-34 ... +50°C (-29 ... +122°F)
(transparent bowl)
-34 ... +65°C (-29 ... +122°F)
(metal bowl)
Air supply must be dry enough to avoid ice formation at temperatures below +2°C (+35°F)

Materials

Body:
Zinc alloy

Bonnet:
Acetal

Valve:
PP and TPV

Transparent bowl:
PC

Metal bowl:
Zinc alloy

Liquid level indicator lens (metal bowl):
Transparent PA

Filter element:
SinteredPP

Elastomers:
CR & NBR



● Technical data - standard models











Symbol	Port size	Size	Drain	Pressure range		Filter element	Adjustment	Bowl	Weight	Model
				(bar)	(psi)	(µm)			(kg)	
	G1/4	Basis	Manual	0,3 ... 10	4 ... 145	40	Knob	PC (transparent)	0,52	B72G-2GK-QT3-RMN
	G3/8	-	Manual	0,3 ... 10	4 ... 145	40	Knob	PC (transparent)	0,52	B72G-3GK-QT3-RMN
	G1/4	Basis	Manual	0,3 ... 10	4 ... 145	5	Knob	PC (transparent)	0,52	B72G-2GK-QT1-RMN
	G3/8	-	Manual	0,3 ... 10	4 ... 145	5	Knob	PC (transparent)	0,52	B72G-3GK-QT1-RMN
	G1/4	Basis	Automatic	0,3 ... 10	4 ... 145	40	Knob	PC (transparent)	0,52	B72G-2GK-AL3-RMN
	G3/8	-	Automatic	0,3 ... 10	4 ... 145	40	Knob	PC (transparent)	0,52	B72G-3GK-AL3-RMN
	G1/4	Basis	Automatic	0,3 ... 10	4 ... 145	5	Knob	PC (transparent)	0,52	B72G-2GK-AL1-RMN
	G3/8	-	Automatic	0,3 ... 10	4 ... 145	5	Knob	PC (transparent)	0,52	B72G-3GK-AL1-RMN

B72G



Excelon® 72

Filters / regulators, 1/4, 3/8 (G and PTF)


● Accessories

Universal mounting bracket  Page 113 4224-50	Quikclamp®  Page 113 4214-51	Quikclamp® with wall bracket  Page 113 4214-52	Neck mounting bracket  Page 113 74316-50	Panel nut  4248-89
Tamper resistant kit  4255-51	Quikmount pipe adaptor  Page 113 G1/4: 4215-08 G3/8: 4215-09 1/4 PTF: 4215-02 3/8 PTF: 4215-03	Porting block with three alternative 1/4" ports  Page 113 G1/4: 4216-52 1/4 PTF: 4216-50	2/2 Shut-off valves (for full technical specification see datasheet 8.160.600)  Page 113 G1/4: T72B-2GA-P1N G3/8: T72B-3GA-P1N 1/4 PTF: T72B-2AA-P1N 3/8 PTF: T72B-3AA-P1N	3/2 Shut-off valves (for full technical specification see datasheet 8.160.600)  Page 113 G1/4: T72T-2GA-P1N G3/8: T72T-3GA-P1N 1/4 PTF: T72T-2AA-P1N 3/8 PTF: T72T-3AA-P1N

● Pressure switch

Porting block for pressure switch  0523109000000000	Pressure switch (0,5 ... 8 bar)  0881300000000000
---	---

● Padlock


Padlock (brass) with two keys *1)  0613633000000000

*1) For shut-off valves T72 and tamper resistant kit 4255-51.


● Service kit

	Service kit for auto drain 	Service kit for manual drain 
Element		
40 µm	B72G-KITA40R	B72G-KITM40R
5 µm	B72G-KITA05R	B72G-KITM05R

● Gauge

Center back connection, white face (for full technical specification see datasheet 8.900.900) 					
Pressure range		Thread size		Model	
bar *1	Mpa	psi	ø		
0 ... 2,5	—	0 ... 36	40 mm	R1/8	18-015-886
0 ... 4	0 ... 0,4	0 ... 58	40 mm	R1/8	18-015-990
0 ... 10	0 ... 1	0 ... 145	40 mm	R1/8	18-015-989

*1) Primary scale

Center back connection, black face for North America (for full technical specification see datasheet 8.900.900) 					
Pressure range		Thread size		Model	
psig *1	bar	Mpa	ø		
0 ... 30	0 ... 2	0 ... 0.2	1.5" (40 mm)	1/8 NPT	18-015-214
0 ... 60	0 ... 4	0 ... 0.4	1.5" (40 mm)	1/8 NPT	18-015-211
0 ... 160	0 ... 11	0 ... 1.1	1.5" (40 mm)	1/8 NPT	18-015-212

*1) Primary scale

B72G

Excelon® 72

Filters / regulators, 1/4, 3/8 (G and PTF)

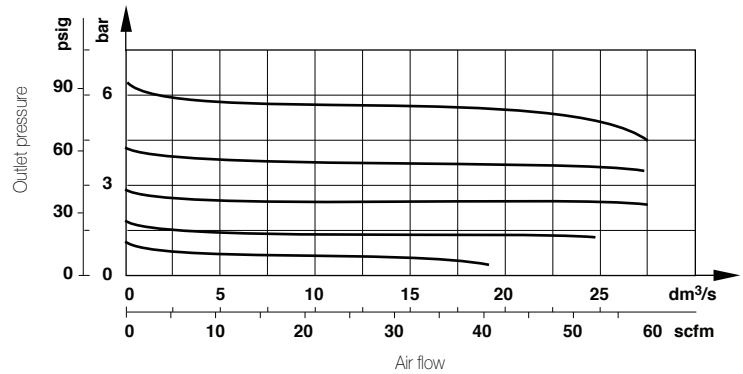
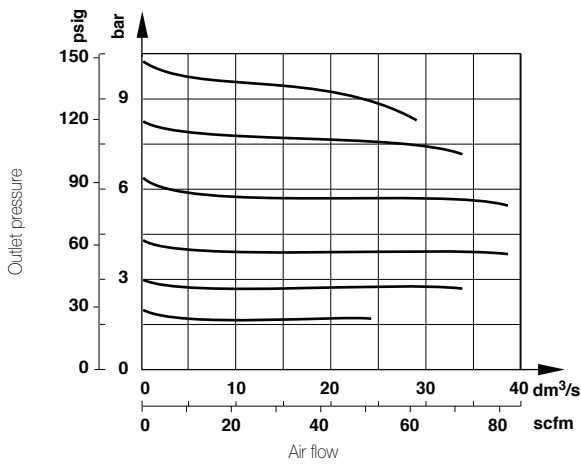
● Flow characteristics

Inlet pressure: 10 bar (145 psi)

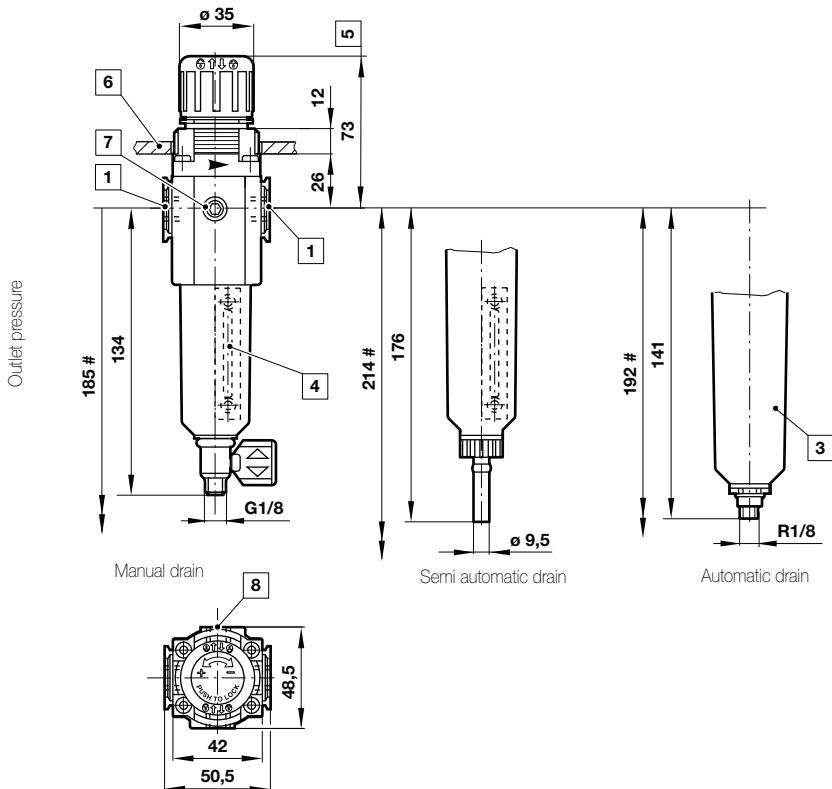
Port size: 1/4", 40 µm element

Inlet pressure: 7 bar (101 psi)

Port size: 1/4", 40 µm element



● Dimensions



- # Minimum clearance required to remove bowl
- 1 Main ports 1/4" or 3/8"
- 3 Transparent bowl
- 4 Metal bowl with liquid indicator
- 5 Reduces by 4 mm with knob in locked position
- 6 Panel hole ø 40 mm, Panel thickness 4 max.
- 7 Gauge port 1/8"
- 8 Alternative gauge port 1/8" plugged

B72G

Excelon® 72

Filters / regulators, 1/4, 3/8 (G and PTF)

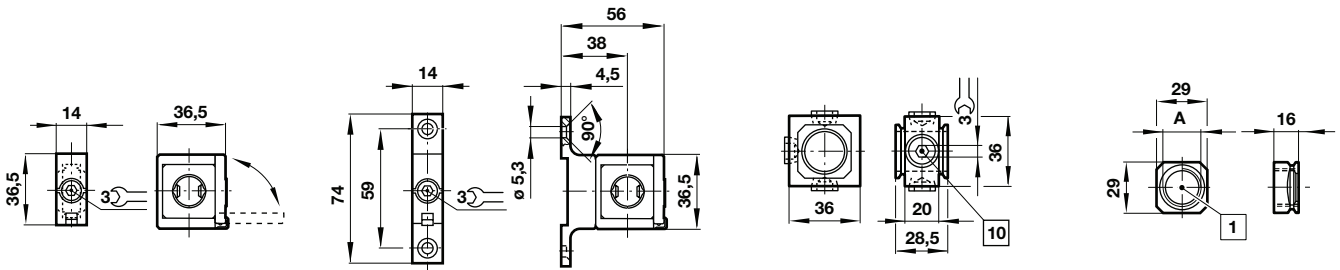
● Accessories

Quikclamp®

Quikclamp® with wall bracket

Porting block

Pipe adapter



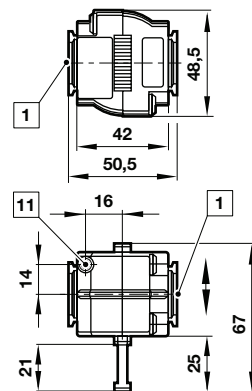
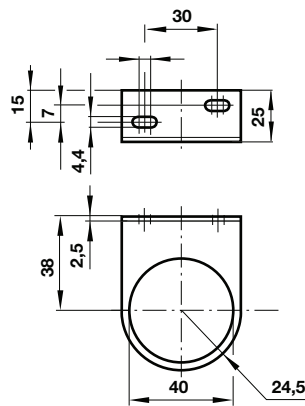
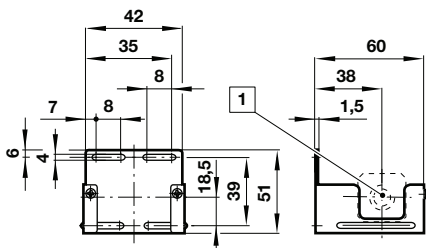
□ Ports 1/4 (ISO G/NPT) plugged

□ Main ports 1/4" or 3/8" (ISO G/PTF)

Wall mounting bracket

Neck mounting bracket

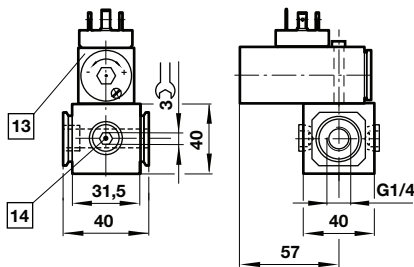
Shut-off valves



□ Main ports

□ Main ports 1/4" or 3/8" (ISO G/PTF)
□ Exhaust port M5 at 3/2 valve only

Porting block for pressure switch



□ Pressure switch is not in scope of delivery
□ Alternative G1/4 ports plugged

B64G, B68G

Olympian Plus plug-in system

Filters / regulators, G1/4 ... 1 1/2

- High efficiency water removal
- Good regulation characteristics
- Non-rising adjusting knob has snap-action lock

Technical Data

Medium:

Compressed air only

Max. inlet pressure:

17 bar

Pressure range:

B64:

0,3 ... 10 bar standard

0,3 ... 4 and 0,7 ... 17 optional

B68:

0,4 ... 8 bar standard

0,3 ... 4 and 0,7 ... 17 optional

Filter element:

40 µm standard, 5 µm optional

Port size:

G1/4, G3/8, G1/2, G3/4,

G1, G1 1/4 and G1 1/2

Gauge port:

Rc 1/8

Drain:

Manual or automatic

Relieving:

Standard

Fluid/Ambient temperature:

-20 ... +80°C

Air supply must be dry enough

to avoid ice formation at

temperatures below +2°C

Materials

B64G:

Body & yoke:

Zinc alloy

Bonnet & bowl:

Aluminium

Elastomers:

Synthetic rubber

Filter element:

Sintered plastic

B68G:

Body, bonnet,

bowl & yoke:

Aluminium

Adjusting knob:

Acetal resin

Elastomers:

Synthetic rubber

Filter element:

Sintered plastic



● Technical data B64 - standard models

Symbol	Port size	Pressure range (bar)	Element (µm)	Flow *1) (dm³/s)	Bowl	Drain	Weight (kg)	Model
	G1/4	0,3 ... 10	40	30	Metal	Manual	1,71	B64G-2GK-MD3-RMN
	G3/8	0,3 ... 10	40	76	Metal	Manual	1,69	B64G-3GK-MD3-RMN
	G1/2	0,3 ... 10	40	106	Metal	Manual	1,66	B64G-4GK-MD3-RMN
	G3/4	0,3 ... 10	40	106	Metal	Manual	2,02	B64G-6GK-MD3-RMN
	G1/4	0,3 ... 10	40	30	Metal	Automatic	1,71	B64G-2GK-AD3-RMN
	G3/8	0,3 ... 10	40	76	Metal	Automatic	1,69	B64G-3GK-AD3-RMN
	G1/2	0,3 ... 10	40	106	Metal	Automatic	1,66	B64G-4GK-AD3-RMN
	G3/4	0,3 ... 10	40	106	Metal	Automatic	2,02	B64G-6GK-AD3-RMN

*1) Typical flow with a 40 µm element at 6,3 bar inlet pressure and 0,5 bar pressure drop.
For replacement filter / regulator (without yoke) substitute "N" at the 5th and 6th digits e.g. B64G-NNK-AD3-RMN.

● Technical data B68 - standard models

Symbol	Port size	Pressure range (bar)	Element (µm)	Flow *1) (dm³/s)	Bowl	Drain	Weight (kg)	Model
	G3/4	0,4 ... 8	40	240	Metal	Manual	3,29	B68G-6GK-MR3-RLN
	G1	0,4 ... 8	40	240	Metal	Manual	3,29	B68G-8GK-MR3-RLN
	G1 1/4	0,4 ... 8	40	240	Metal	Manual	3,35	B68G-AGK-MR3-RLN
	G1 1/2	0,4 ... 8	40	240	Metal	Manual	3,35	B68G-BGK-MR3-RLN
	G3/4	0,4 ... 8	40	240	Metal	Automatic	3,29	B68G-6GK-AR3-RLN
	G1	0,4 ... 8	40	240	Metal	Automatic	3,29	B68G-8GK-AR3-RLN
	G1 1/4	0,4 ... 8	40	240	Metal	Automatic	3,35	B68G-AGK-AR3-RLN
	G1 1/2	0,4 ... 8	40	240	Metal	Automatic	3,35	B68G-BGK-AR3-RLN

*2) Typical flow with 10 bar inlet pressure, and 1 bar set pressure and 1 bar drop from set.
For replacement filter/regulator (without yoke) substitute "N" at the 5th and 6th digits e.g. B68G-NNK-AR3-RLN.

B64G, B68G

Olympian Plus plug-in system
Filters / regulators, G1/4 ... 1 1/2

● Option selector

B64G-★-★-★-★-★D★-★-★-★

Port size	Substitute
1/4	2
3/8	3
1/2	4
3/4	6
Threads	Substitute
PTF	A
ISO G parallel	G
Adjustment	Substitute
Knob	K
T-bar (B73 & 74)	T
Drain	Substitute
Manual	M
Auto Drain	A

Gauge	Substitute
With	G
Without	N
Outlet pressure adjustment range *1)	Substitute
0,3 ... 4 bar	F
0,3 ... 10 bar	M
0,7 ... 17 bar	S *2)
Diaphragm	Substitute
Relieving	R
Non-relieving	N
Element	Substitute
5 µm	1
40 µm	3

*1) Can be adjusted to pressures in excess of, and less than, those specified. Do not use these units to control pressures outside of the specified ranges.

*2) Units with 17 bar adjustment range are available only with the T-bar adjustment; therefore substitute T at the 7th digit and S at the 12th position.

● Option selector

B68G-★-★-★-★-★D★-★-★-★

Port size	Substitute
3/4	6
1	8
1 1/4	A
1 1/2	B
Threads	Substitute
PTF	A
ISO G parallel	G
Adjustment	Substitute
Knob	K
T-bar (B73 & 74)	T
Drain	Substitute
Manual	M
Auto Drain	A

Gauge	Substitute
With	G
Without	N
Outlet pressure adjustment range *1)	Substitute
0,3 ... 4 bar	F
0,3 ... 8 bar	L
0,7 ... 17 bar	S *2)
Diaphragm	Substitute
Relieving	R
Non-relieving	N
Element	Substitute
5 µm	1
40 µm	3

*1) Can be adjusted to pressures in excess of, and less than, those specified. Do not use these units to control pressures outside of the specified ranges.

*2) Units with 17 bar adjustment range are available only with the T-bar adjustment; therefore substitute T at the 7th digit and S at the 12th position.

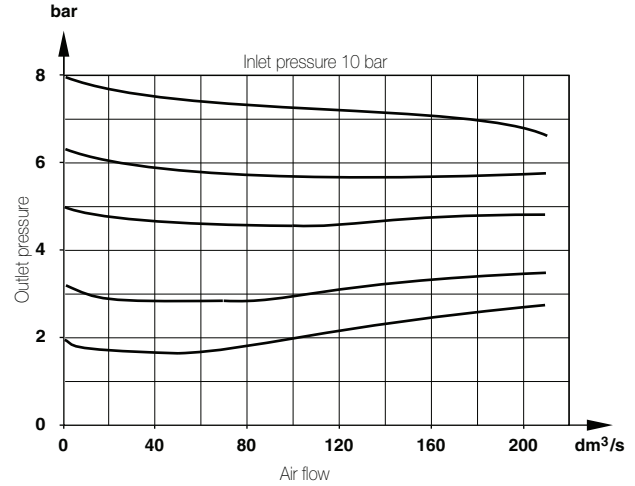
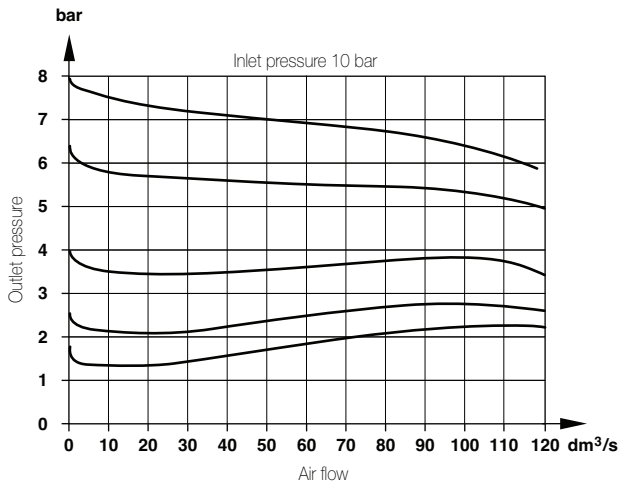
B64G, B68G

Olympian Plus plug-in system
Filters / regulators, G1/4 ... 1 1/2

● Flow characteristics

B64G – Port size 1/2", 40 µm element,
pressure range 0,3 ... 10 bar

B68G – Port size 1", 40 µm element,
pressure range 0,4 ... 8 bar



● Accessories B64G

Bracket mounting	Nut	Porting block	Adaptor plate	Pressure switch	Connector	Tamper resistant cap & seal wire
74504-50	74502-89	74507-50	74616-50	4346-99	74503-51	4355-50

*1) These yokes are supplied with two end connector kits as standard.

Thread	Single yoke *1)	End connector kit	3/2 way shut-off valve primary side	3/2 way shut-off valve secondary side	Service kit, manual drain	Service kit, automatic drain
G1/4	Y64A-2GA-N1N	—	T64T-2GB-P1N	T64T-2GC-P1N	B64G-KITM05R (5 µm)	B64G-KITA05R (5 µm)
G3/8	Y64A-3GA-N1N	—	T64T-3GB-P1N	T64T-3GC-P1N	B64G-KITM40R (40 µm)	B64G-KITA40R (40 µm)
G1/2	Y64A-4GA-N1N	74505-50	T64T-4GB-P1N	T64T-4GC-P1N		
G3/4	Y64A-6GA-N1N *1)	74505-53	T64T-6GB-P1N	T64T-6GC-P1N		

*1) These yokes are supplied with two end connector kits as standard.

Gauge series	Port size	Pressure range in bar	Diameter	Model
64 (ISO G main port)	Rc 1/8	0 ... 6	50 mm	18-013-012
	Rc 1/8	0 ... 10	50 mm	18-013-013
	Rc 1/8	0 ... 25	50 mm	18-013-014

B64G, B68G

Olympian Plus plug-in system
Filters / regulators, G1/4 ... 1 1/2

● Accessories B68G

Thread	Bracket mounting	Single yoke *1)	End connector kit	3/2 way shut-off valve primary side	3/2 way shut-off valve secondary side
G3/4	18-001-979	Y68A-6GN-N1N	5524-55	T68H-6GB-B2N	T68H-6GC-B2N
G1	18-001-979	Y68A-8GN-N1N	5524-52	T68H-8GB-B2N	T68H-8GC-B2N
G1 1/4	18-001-978	Y68A-AGN-N1N	5523-52	T68H-AGB-B2N	T68H-AGC-B2N
G1 1/2	-	Y68A-BGN-N1N	5523-93	T68H-BGB-B2N	T68H-BGC-B2N

*1) These yokes are supplied with two end connector kits as standard.

Nut	Tamper resistant cap & seal wire	Service kit, manual drain	Service kit, automatic drain
5520-89	4355-50	B68G-KITM05R (5 µm) B68G-KITM40R (40 µm)	B68G-KITA05R (5 µm) B68G-KITA40R (40 µm)

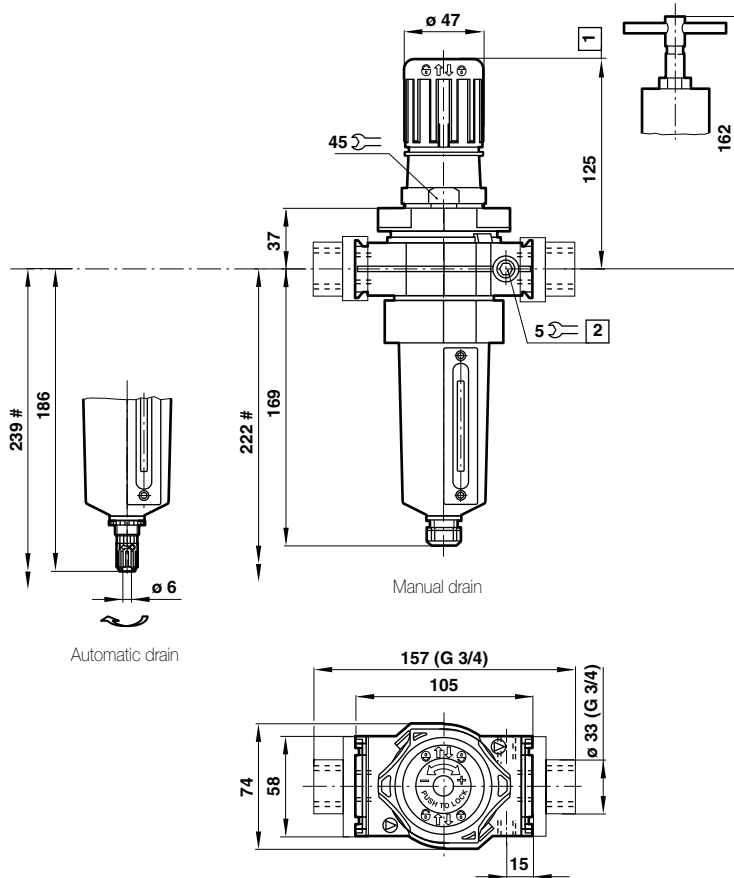
Gauge series	Port size	Pressure range in bar	Diameter	Model
68 (ISO G main port)	Rc 1/8	0 ... 6	50 mm	18-013-012
	Rc 1/8	0 ... 10	50 mm	18-013-013
	Rc 1/8	0 ... 25	50 mm	18-013-014

B64G, B68G

Olympian Plus plug-in system
Filters/regulators, G1/4 ... 1 1/2

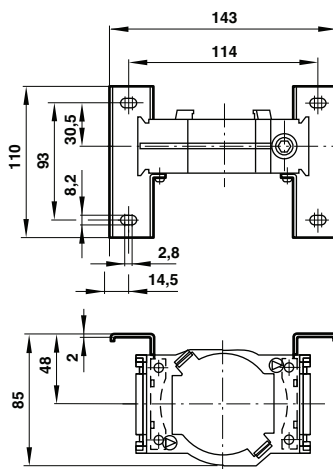
● Dimensions

Basic dimensions B64



- # Minimum clearance required to remove bowl
- 1 Reduces by 4 mm with knob in locked position
- 2 Gauge port

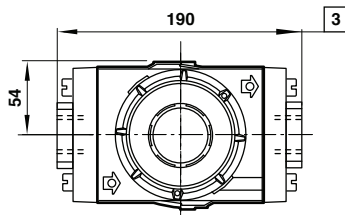
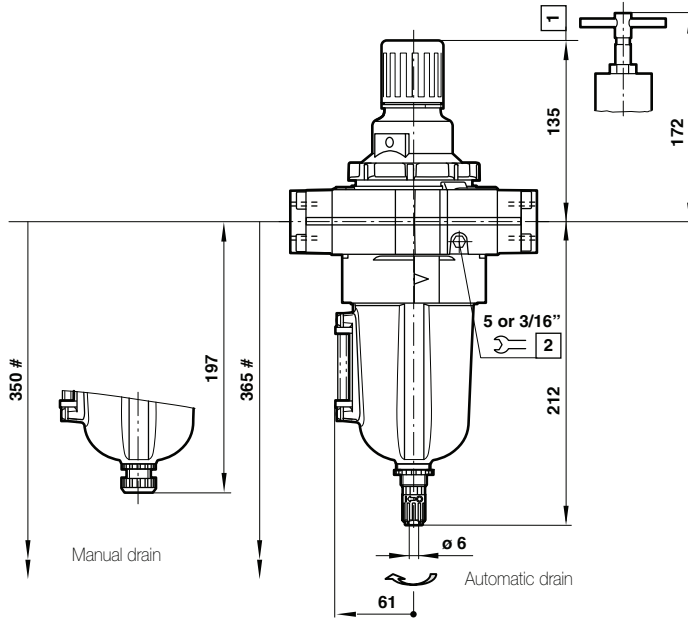
Bracket mounting



B64G, B68G

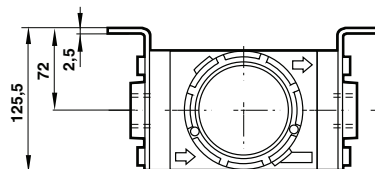
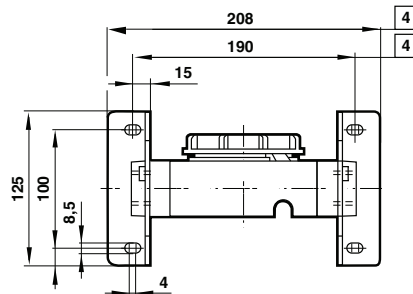
Olympian Plus plug-in system
Filters/regulators, G1/4 ... 1 1/2

Basic dimensions 68
0,5 litre bowl



- # Minimum clearance required to remove bowl
- 1 Reduces by 4 mm with knob in locked position
- 2 Gauge port
- 3 For 1 1/4" and 1 1/2" ported yokes add 10 mm

Bracket mounting



- 4 For 1 1/4" ported yokes add 10 mm