

B84G

Excelon® Plus modular system

General purpose filter/ regulator, 3/8 ... 3/4 (G and PTF)

- Excelon® Plus design allows in-line installation or modular installation with other Excelon® Plus products
- 5 or 40 micron particle and high efficiency water removal (> 98%)
- Double safety lock bowl
- Push to lock adjusting knob with built in tamper resistant feature
- Metal bowl with prismatic liquid level indicator lens
- Light weight polycarbonate bowl
- Easy to read flush mounted integrated pressure gauge as standar

Technical Data

Medium:

Compressed air only

Max. supply pressure:

Polycarbonate bowl: 10 bar (145 psi)

Metal bowl: 20 bar (290 psi)

Outlet pressure ranges:

0,3 ... 10 bar (4 ... 145 psi),

0,3 ... 4 bar (4 ... 58 psi) optional,

0,7 ... 17 bar (2 ... 250 psi) optional

Filter element:

5 µm & 40 µm

Port size:

G3/8, G1/2, G3/4,

3/8 PTF, 1/2 PTF, 3/4 PTF

Gauge port:

Integrated as standard

Gauge port 1/8 as option

Flow:

100 dm³/s

At port size: 1/2",

inlet pressure 10 bar (145 psi),

6,3 bar (91 psi) set pressure and a

Δp: 1 bar (14,5 psi) droop from set.

Filter element: 40 µm

Diaphragm Type:

Relieving

Ambient/Media temperature:

Polycarbonate bowl:

-10 ... +60°C (+14 ... +140°F)

Metal bowl:

-20 ... +65°C (-4 ... +149°F)

Air supply must be dry enough

to avoid ice formation at

temperatures below +2°C (+35°F).

Automatic drain operating conditions (float operated):

Bowl pressure required to close

drain: > 0,35 bar (5 psi)

Bowl pressure required to open

drain: ≤ 0,2 bar (2.9 psi)

Minimum air flow required to

close drain: 1 dm³/s (2 scfm)

Materials

Body:

Die cast aluminium

Body covers:

ABS

Bonnet:

Acetal/ Aluminium

Valve:

PP

Bowl:

Transparent PC with PP guard

or die cast aluminium

Liquid level indicator

lens (metal bowl):

PA

Filter element:

sintered PP

Bowl 'o'- ring:

Chloroprene

Elastomers: NBR



B84G

Excelon® Plus modular system

General purpose filter / regulator, 3/8 ... 3/4 (G and PTF)

● Technical data - standard models

Symbol	Port size	Drain	Pressure range (bar)	Filter element (µm)	Bowl	Weight (kg)	Model *1)
	G3/8	Auto	0,3 ... 10	40	Guarded polycarbonate	0,73	B84G-3GK-AP3-RMG
	G1/2	Auto	0,3 ... 10	40	Guarded polycarbonate	0,73	B84G-4GK-AP3-RMG
	G3/4	Auto	0,3 ... 10	40	Guarded polycarbonate z	0,73	B84G-6GK-AP3-RMG
	G3/8	Auto	0,3 ... 10	40	Metal with level indicator	0,88	B84G-3GK-AD3-RMG
	G1/2	Auto	0,3 ... 10	40	Metal with level indicator s	0,88	B84G-4GK-AD3-RMG
	G3/4	Auto	0,3 ... 10	40	Metal with level indicator	0,88	B84G-6GK-AD3-RMG
	G3/8	Manual	0,3 ... 10	40	Guarded polycarbonate	0,73	B84G-3GK-QP3-RMG
	G1/2	Manual	0,3 ... 10	40	Guarded polycarbonate	0,73	B84G-4GK-QP3-RMG
	G3/4	Manual	0,3 ... 10	40	Guarded polycarbonate	0,73	B84G-6GK-QP3-RMG
	G3/8	Manual	0,3 ... 10	40	Metal with level indicator	0,88	B84G-3GK-QD3-RMG
	G1/2	Manual	0,3 ... 10	40	Metal with level indicator	0,88	B84G-4GK-QD3-RMG
	G3/4	Manual	0,3 ... 10	40	Metal with level indicator	0,88	B84G-6GK-QD3-RMG

*1) All models shown here are supplied with integrated gauge applicable for flow direction left to right.

With flow direction right to left please use the online configurator www.imi-precision.com/air-preparation-configurator or contact IMI Norgren

● Option selector 1*)

Port size	Substitute	Pressure range *3)	Substitute
3/8"	3	0,3 ... 4 bar	F
1/2"	4	0,3 ... 10 bar (standard)	M
3/4"	6	0,7 ... 17 bar	S*2)
Thread form	Substitute	Element	Substitute
PTF	A	40 µm (standard)	3
ISO G parallel (standard)	G	5 µm	1
Adjustment	Substitute		
Knob (standard)	K		
T-bar	T*2)		
Drain	Substitute		
Manual (standard)	Q		
Auto drain (standard)	A		
Bowl	Substitute		
Metal with liquid indicator	D		
Transparent with guard (standard)	P		

*1) All models shown here are applicable for flow direction left to right. With flow right to left please use the online configurator www.imi-precision.com/air-preparation-configurator or contact IMI Norgren

*2) Units with 17 bar outlet pressure range are available only with the T-bar adjustment; therefore substitute T at the 7th position and S at the 9th position. T-bar handle only available with 17 bar option.

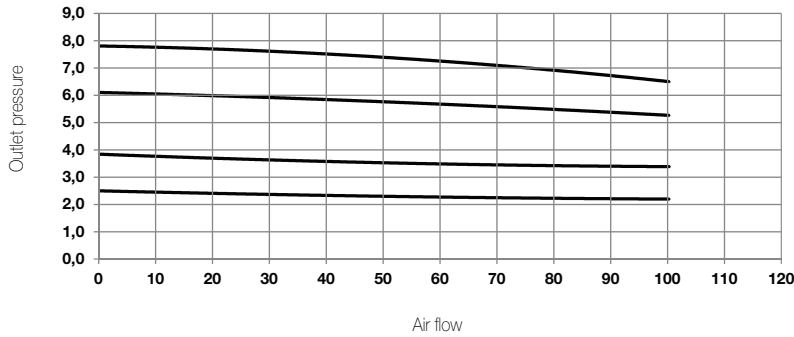
*3) Outlet pressure can be adjusted to pressures in excess of, and less than, those specified. Do not use these units to control pressures outside of the specified ranges.

B84G

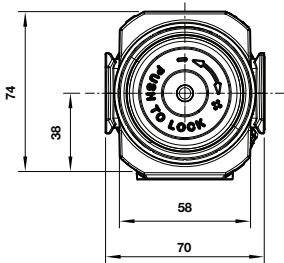
Excelon® Plus modular system
General purpose filter / regulator, 3/8 ... 3/4 (G and PTF)

● Flow characteristics

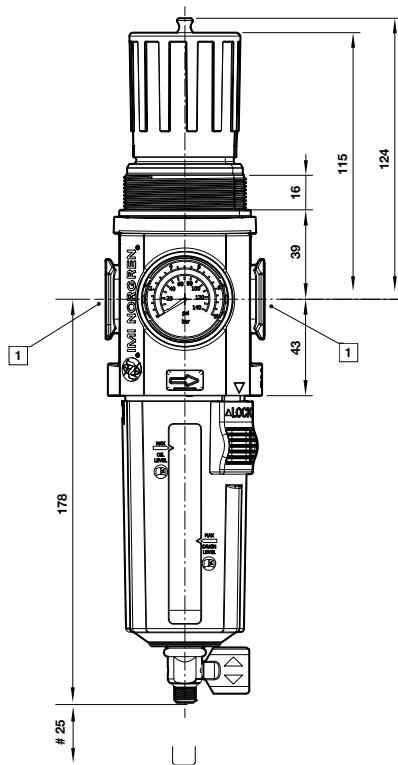
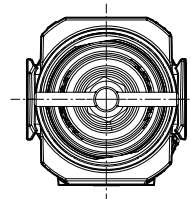
Inlet pressure: 10 bar (145 psi)
Port size: 1/2", 40 µm element



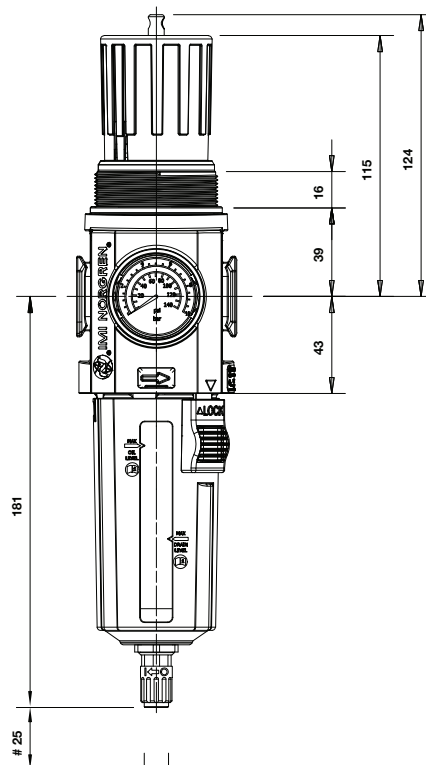
● Dimensions



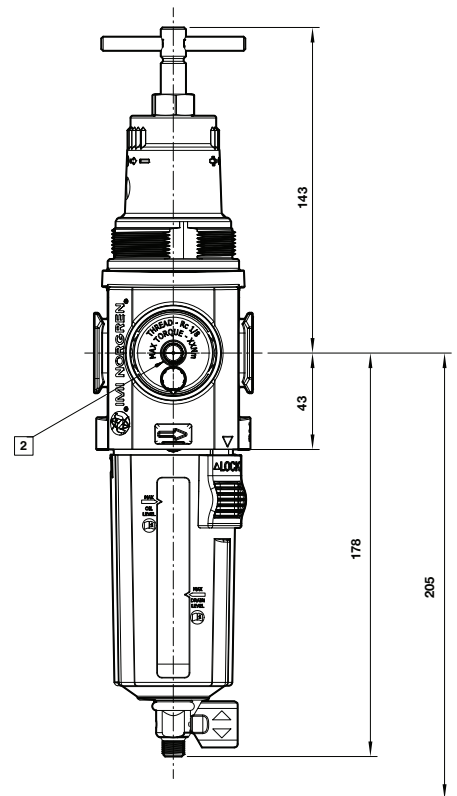
Minimum clearance for bowl removal
1 Main ports 3/8", 1/2" or 3/4" (ISO G/PTF)
2 Gauge port Rc 1/8 for ISO G and 1/8 PTF for PTF main ports



1/4 Turn Manual Drain



Automatic Drain



1/4 Turn Manual Drain
With T-bar

B84G

Excelon® Plus modular system
General purpose filter / regulator, 3/8 ... 3/4 (G and PTF)

● Accessories

Quikclamp®  Page 119 840014-51KIT	Quikclamp® with bracket assembled  Page 119 840014-52KIT	Neck mounting bracket & Panel nut  Page 119 840068-51KIT	Panel mounting nut  Page 119 840048-89KIT	Mounting bracket  Page 119 840024-50KIT
Integrated gauge 10 bar gauge  840073-01KIT	Integrated gauge 20 bar gauge  840073-02KIT	Gauge adaptor kit 1/8 PTF  840100-01KIT	Gauge adaptor kit R 1/8  840100-02KIT	
Pressure sensing block 1/4 PTF  Page 120 840016-50KIT	Pressure sensing block G1/4  Page 120 840016-51KIT	Padlock  840055-01KIT	Lockout device  840055-02KIT	
Full flow porting block 3/4 PTF  Page 120 840028-50KIT	Full flow porting block G3/4  Page 120 840028-53KIT	Pressure switch interface block (18D pressure switch)  Page 120 0337717000000000	Pneumatic pressure switch 18D (0,5 ... 8 bar) *1)  Page 120 0881300	Digital pressure switch 51D (-1 ... 10 bar) *2)  Page 121 0860810

*1) Flange version. For other pressure ranges, please see data sheet 5.11.001
*2) For other pressure ranges, please see data sheet 5.11.385



Port Adaptors	
3/8 PTF	840015-02KIT
1/2 PTF	840015-03KIT
3/4 PTF	840015-04KIT
G3/8	840015-10KIT
G1/2	840015-11KIT
G3/4	840015-12KIT

● Gauges

(For regulators with gauge port instead of integrated port)

Center back connection, white face
(for full technical specification see datasheet 8.900.900)



Pressure range (bar) *3)	(MPa)	(psi)	ø	Thread size	Model
0 ... 6	0 ... 0,6	0 ... 84	50 mm	R1/8	18-015-012
0 ... 10	0 ... 1	0 ... 145	50 mm	R1/8	18-015-013
0 ... 25	0 ... 2,5	0 ... 362	50 mm	R1/8	18-015-014

*3) Primary scale

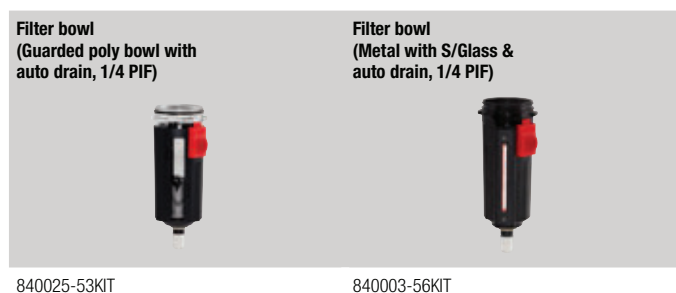
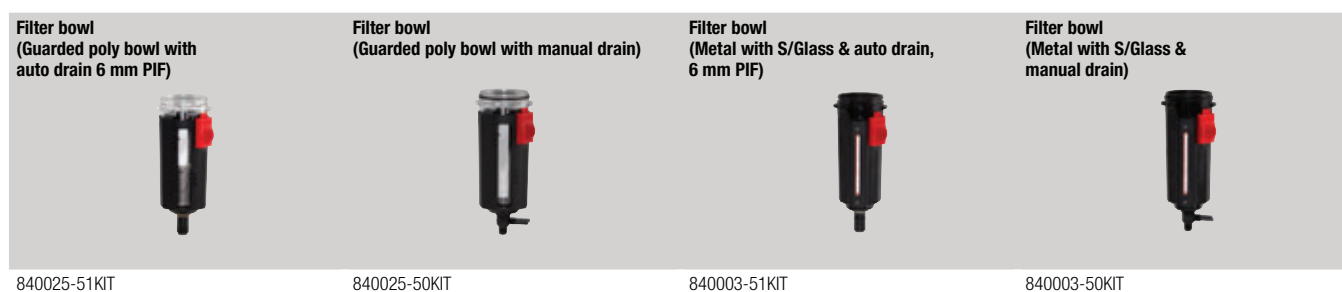
B84G

Excelon® Plus modular system
General purpose filter/ regulator, 3/8 ... 3/4 (G and PTF)

Maintenance/Service



Spare parts



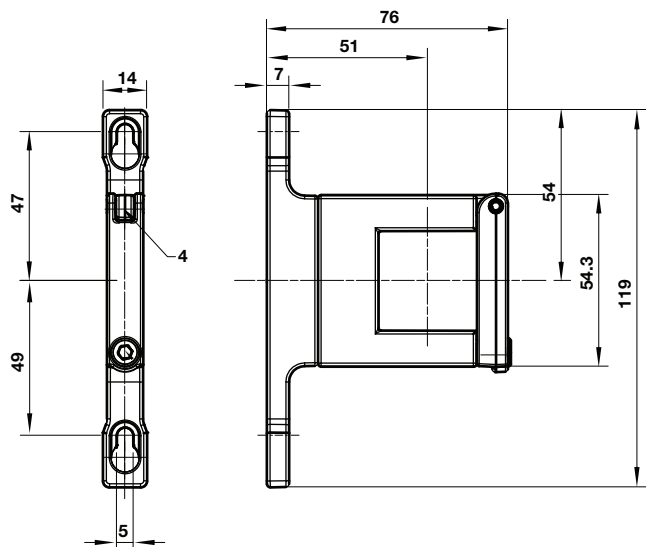
B84G

Excelon® Plus modular system

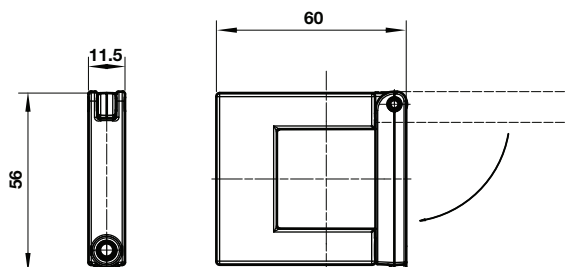
General purpose filter/ regulator, 3/8 ... 3/4 (G and PTF)

● Accessories

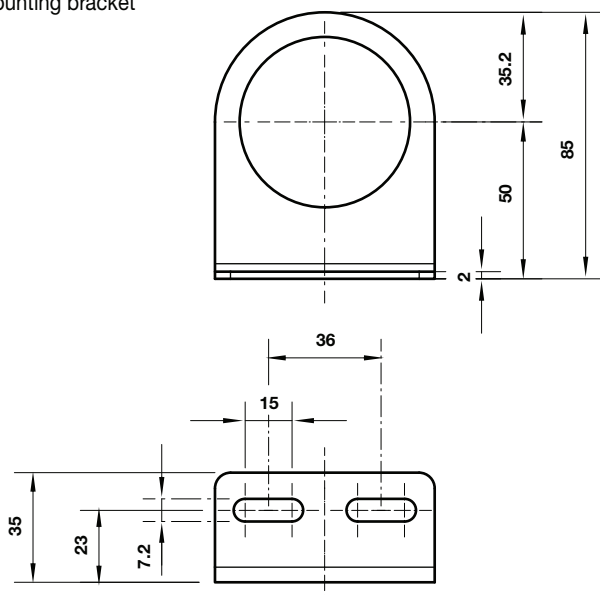
Quikclamp® with wall bracket



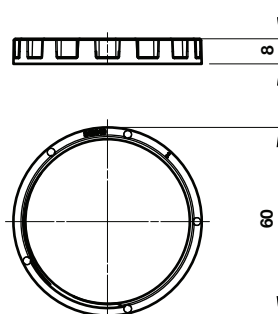
Quikclamp®



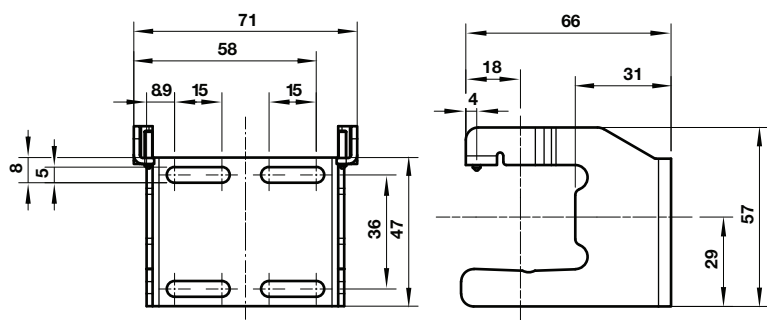
Neck mounting bracket



Panel mounting nut



Mounting bracket

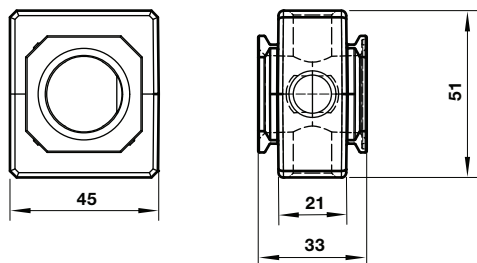


B84G

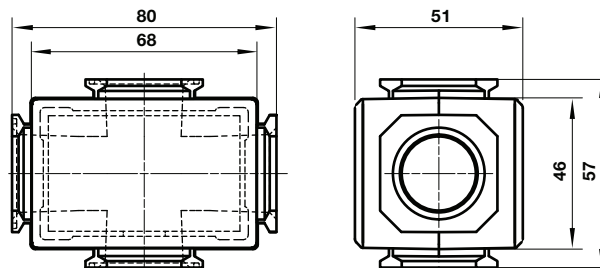
Excelon® Plus Modular System

General purpose filter/ regulator, 3/8 ... 3/4 (G and PTF)

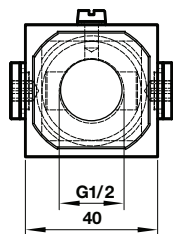
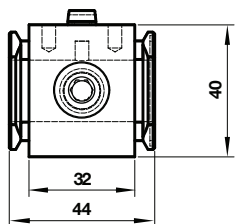
Pressure sensing block



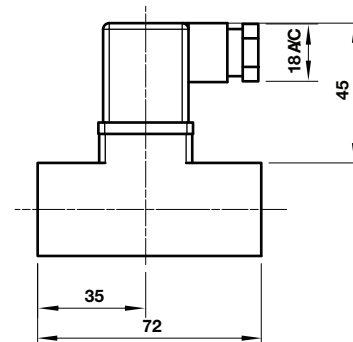
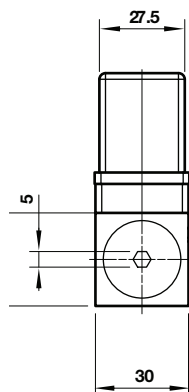
Full flow porting block



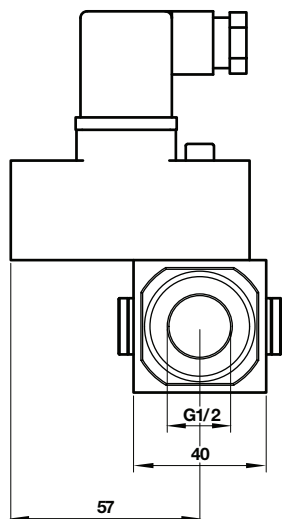
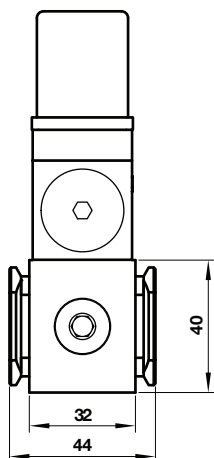
Porting block for 18D pressure switch



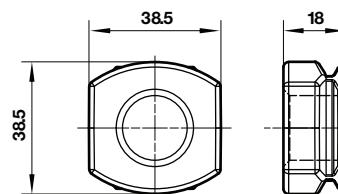
18D Pressure switch



18D Porting block and 18D assembled



Pipe adaptor

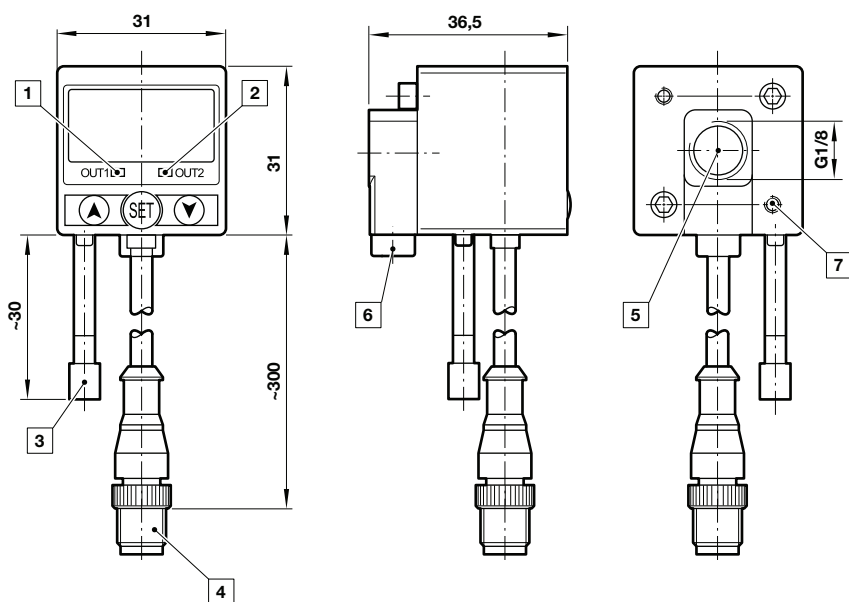


B84G

Excelon® Plus Modular System

General purpose filter/ regulator, 3/8 ... 3/4 (G and PTF)

51D Pressure switch - digital



- 1 Switch OUT 1, green LED
- 2 Switch OUT 2, red LED
- 3 Dustproof protector
- 4 Connector M12 x 1
- 5 Inlet port
- 6 Alternative inlet port G1/8 plugged
- 7 Thread for mounting screw