

Systems

● Products

Page		Series
46	Fast find guide	
47	Systems for dust collectors Ø 220 mm	8587xxx
53	Systems for dust collectors Ø 135 mm	8589xxx
56	Systems for dust collectors Ø 75 mm	8588xxx

FAST FIND GUIDE

8587xxx

Systems for dust collectors
Ø 220 mm diameter for DN 40 ... 65
With integrated dust collector valves



Page 47

8589xxx

Systems for dust collectors
Ø 135 mm diameter for DN 25
With integrated dust collector valves



Page 53

8588xxx

Systems for dust collectors
Ø 75 mm diameter for DN 25
With integrated dust collector valves



Page 56

8587xxx

Systems for dust collectors with integrated dust collector valves
 Ø 220 mm diameter for DN 40 ... 65 valves

- Filter cleaning system Flex-on®
- Distance and number of valves selectable
- Different blow-tube connections, available include pipe, thread, flange socket, etc.
- Integrated dust collector valve with TPE diaphragm
- For rapid response, high peak pressures and very good flow rates
- Pilot/solenoid actuated valve

Technical Data

Medium:
Air

Mounting position:
Optional

Diameter:
Ø 220 mm

Working pressure:
0,4 ... 8 bar (pulsating)

Dusty gas temperature:
-20 ... +85°C (-4 ... +176°F)

Coil gas temperature:
-20 ... +85°C (-4 ... +176°F)

Ambient temperature:
-20 ... +85°C (-4 ... +176°F)

Volume:
0,38 dm³ /cm of tank length

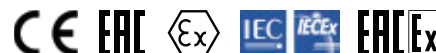
Materials

Body:
Aluminium/PA66

Seat seal:
TPE

Pilot seal:
TPU

Flex-on™



● Technical data - standard models

Further information

Please contact a member of our sales team to check the model number.

● Standard solenoid systems

Voltage and frequency solenoid 8171 *1)

Code Voltage	Code Frequency	Voltage	Frequency	Power consumption Inrush	Holding
024	00	24 V d.c.	-	12 W	12 W
024	50	24 V a.c.	50 Hz	23 VA	16 VA
110	50	110 V a.c.	50 Hz	23 VA	16 VA
120	60	120 V a.c.	60 Hz	23 VA	16 VA
230	50	230 V a.c.	50 Hz	23 VA	16 VA

Voltage and frequency solenoid 8001

024	00	24 V d.c.	-	12 W	12 W
024	50	24 V a.c.	50 Hz	20 VA	16 VA
110	50	110 V a.c.	50 Hz	20 VA	16 VA
120	60	120 V a.c.	60 Hz	20 VA	16 VA
230	50	230 V a.c.	50 Hz	20 VA	16 VA

*1)  coil only

Electrical details for all solenoid systems

Design	DIN VDE 0580
Voltage range	±10%
Duty cycle	100% ED
Protection class	EN 60529 IP65
Socket	Form A acc. to DIN EN 175301-803 (included)

According to DIN VDE 0580 at a solenoid temperature of +20°C.
 At operating state temperature the input power of a coil decreases by up to ca. 30% due to physical reasons.

Additional solenoid systems for hazardous areas

ATEX category	ATEX-Protection class	IP-protection class	Solenoid	Standard voltages
II 3G II 3D	Ex ec IIC T4 Gc Ex tc IIIC T130°C DC	IP65	8176	24 V DC, 110 V AC, 230 V AC
II 2G II 2D	Ex eb mb IIC T4 Gb Ex mb tb IIIB T135°C Db	IP66	6176	24 V DC, 110 V AC, 230 V AC

Attention!

The conditions imposed on the Ex approvals lead to reduction of the permissible standard temperature ranges in the cases of explosion protected solenoids.

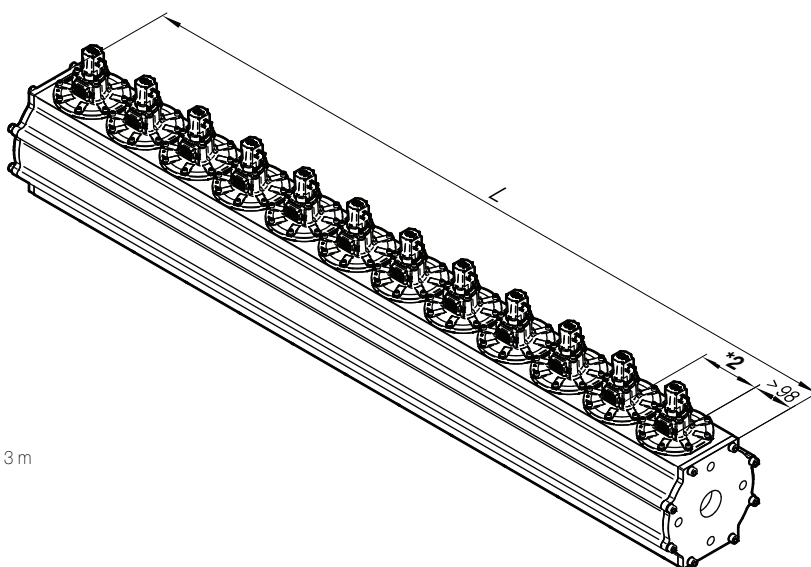
8587xxx

Systems for dust collectors with integrated dust collector valves
Ø 220 mm diameter for DN 40 ... 65 valves

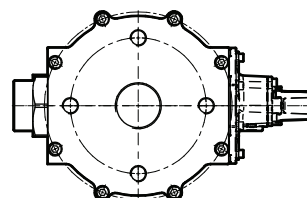
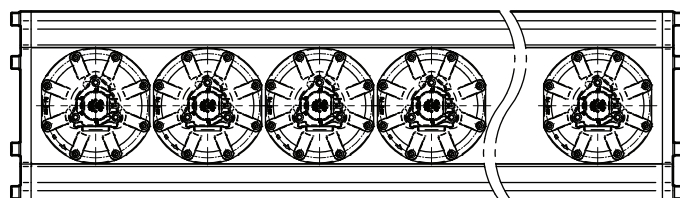
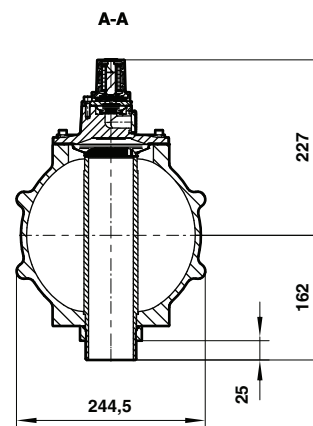
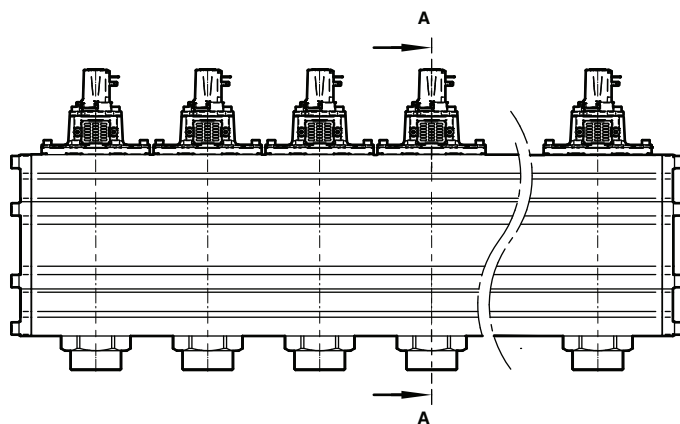
Medium	Minimum grid dimensions	Pressure range	Temperature (°C)		Material	Approvals	Type
			Dusty gas/ Cleaning gas	Ambient			
Ø 220 for DN 40	120 mm	0,4 ... 8 bar (swelling)	-20 ... +85	-20 ... +85	Body: Aluminium Seat seal: TPE Seals: TPU	Ex	8587xxx
Ø 220 for DN 50	150 mm	0,4 ... 8 bar (swelling)	-20 ... +85	-20 ... +85	Body: Aluminium Seat seal: TPE Seals: TPU	Ex	8587xxx
Ø 220 for DN 65	150 mm	0,4 ... 8 bar (swelling)	-20 ... +85	-20 ... +85	Body: Aluminium Seat seal: TPE Seals: TPU	Ex	8587xxx

● Dimensions

DN 50 ... 65 Solenoid actuated valve



*2) Min. 150 mm, but max. to customer requirement
L Individual length of the filter cleaning system up to max. 3 m completely mounted (further dimensions on request)



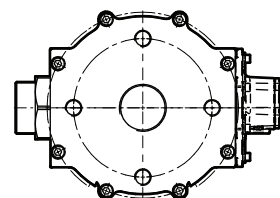
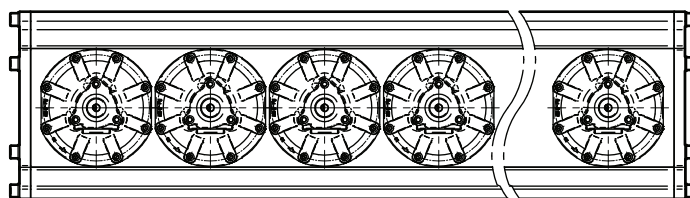
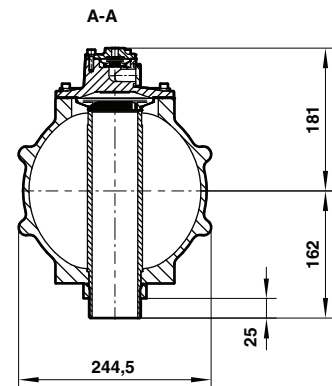
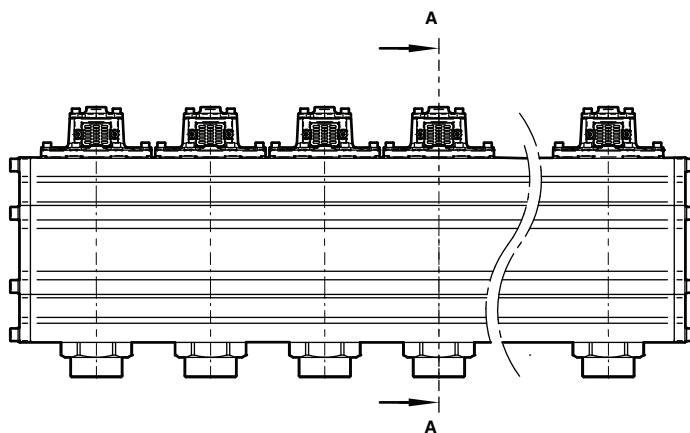
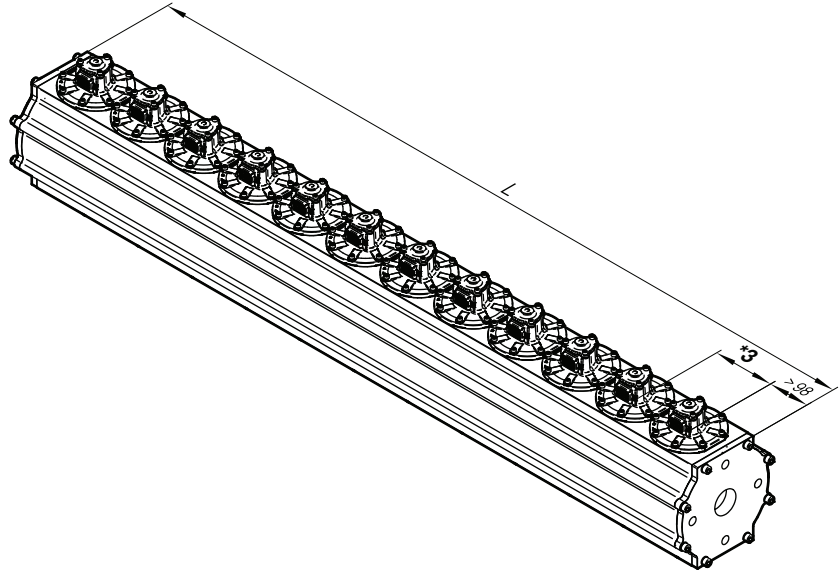
8587xxx

Systems for dust collectors with integrated dust collector valves
Ø 220 mm diameter for DN 40 ... 65 valves

● Dimensions

DN 50 ... 65 pilot actuated valve

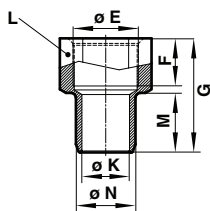
- *3) Min. 150 mm, but max. to customer requirement
- L Individual length of the filter cleaning system up to max. 3 m completely mounted (further dimensions on request)



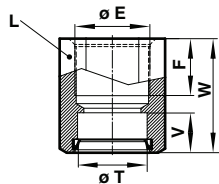
8587xxx

Systems for dust collectors with integrated dust collector valves
 Ø 220 mm diameter for DN 40 valves

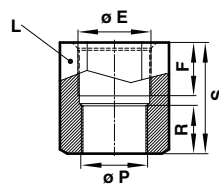
Hose connection



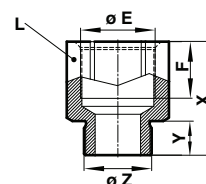
Plug connection



Threaded adapter



Threaded adapter



	Orifice (mm)	ø E	F	G	ø K	L	M	ø N	ø P
Female thread	50	G21/4	48	-	-	6kt, 85	-	-	G2
Female thread	65	G21/4	48	-	-	6kt, 80	-	-	G21/2
Male thread	50	G21/4	50	-	-	6kt, 80	-	-	-
Male thread	65	G21/4	50	-	-	6kt, 80	-	-	-
Tube push-in connection	50	G21/4	50	-	-	6kt, 80	-	-	-
Tube push-in connection	65	G21/4	48	-	-	6kt, 90	-	-	-
Hose connection	50	G21/4	48	115	48	6kt, 80	60	60	-
Hose connection	65	G21/4	48	115	58	6kt, 80	60	70	-

	Orifice (mm)	R	S	T	V	W	X	Y	Z
Female thread	50	43	100	-	-	-	-	-	-
Female thread	65	35	100	-	-	-	-	-	-
Male thread	50	-	-	-	-	-	G2	30	100
Male thread	65	-	-	-	-	-	G21/2	30	100
Tube push-in connection	50	-	-	61	35	100	-	-	-
Tube push-in connection	65	-	-	71	43	100	-	-	-
Hose connection	50	-	-	-	-	-	-	-	-
Hose connection	65	-	-	-	-	-	-	-	-

DN 50 can only be ordered in conjunction with adapter

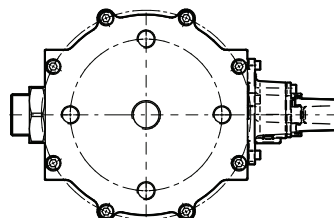
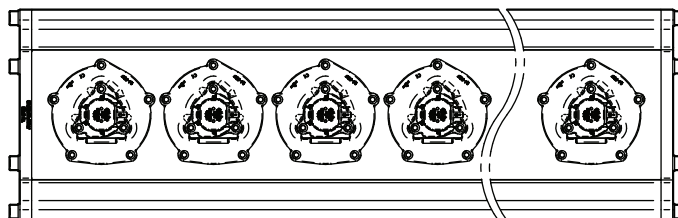
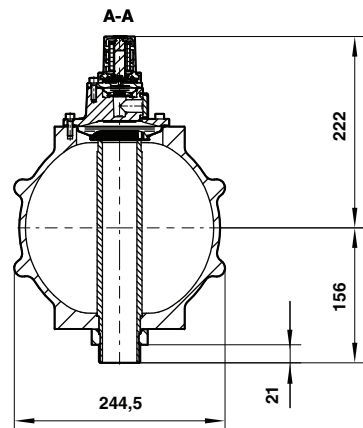
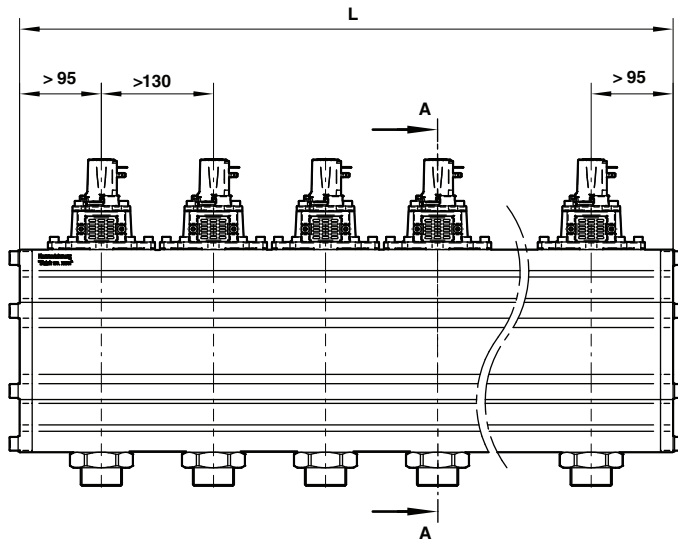
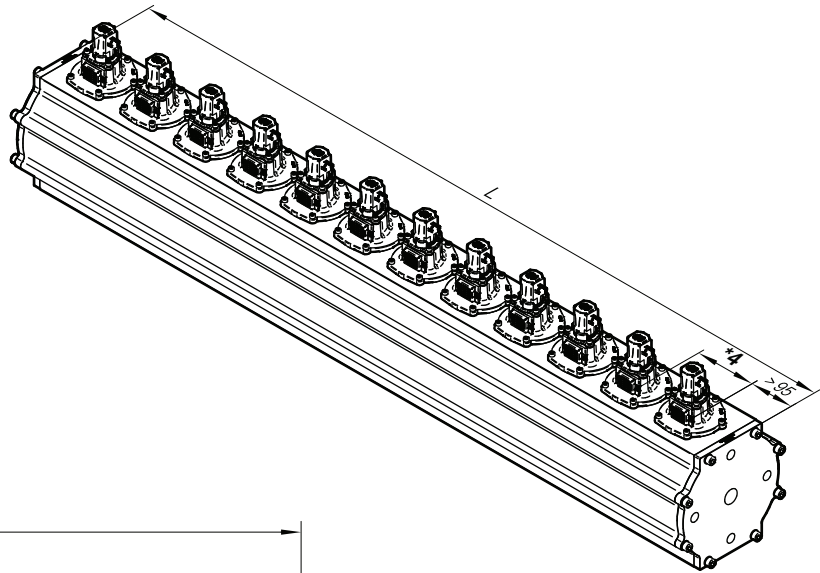
8587xxx

Systems for dust collectors with integrated dust collector valves
Ø 220 mm diameter for DN 40 valves

● Dimensions

DN 40 Solenoid actuated valve

- *4) Min. 120 mm, but max. to customer requirement
- L Individual length of the filter cleaning system up to max. 3 m completely mounted (further dimensions on request)



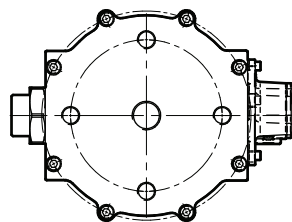
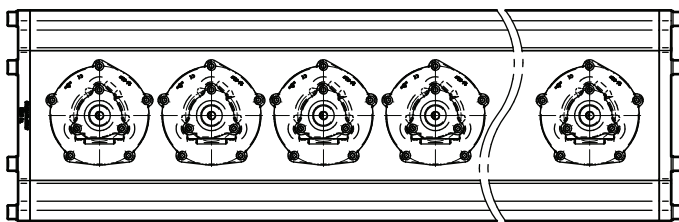
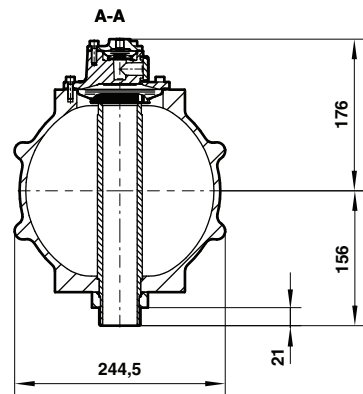
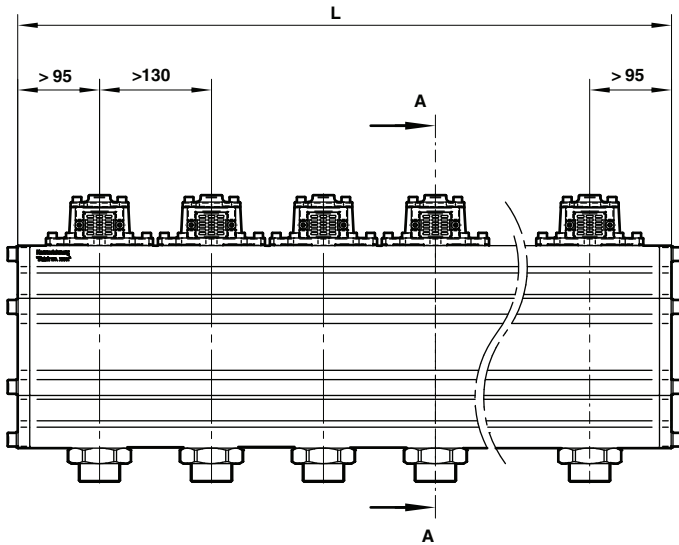
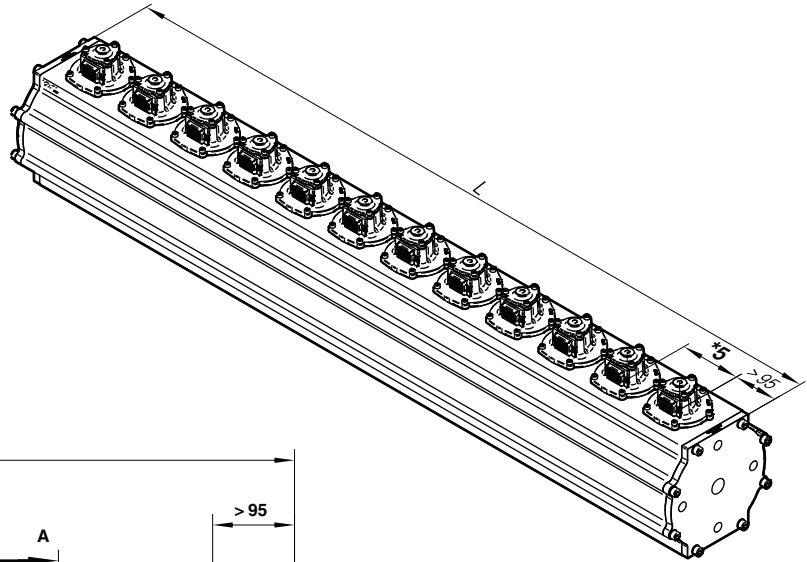
8587xxx

Systems for dust collectors with integrated dust collector valves
Ø 220mm diameter for DN 40 valves

● Dimensions

DN 40 pilot actuated valve

- *5) Min. 120 mm, but max. to customer requirement
- L Individual length of the filter cleaning system up to max. 3 m completely mounted (further dimensions on request)

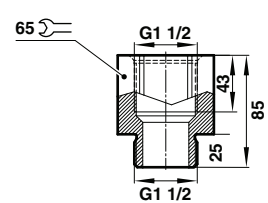
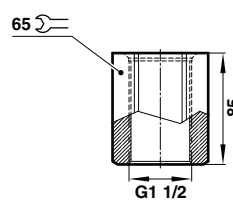
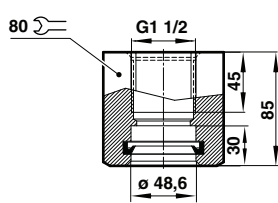
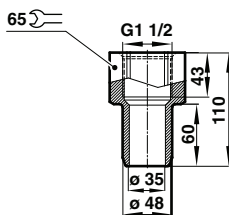


Hose connection

Plug connection

Threaded adapter

Threaded adapter



8589xxx

Systems for dust collectors with integrated dust collector valves
Ø 135 mm diameter for DN 25 valves

- Filter cleaning system Flex-on®
- Choice of virtually any number of valves at spacing of at least 75 mm
- Different blow-tube connections available include pipe, thread, flange socket, etc.
- Integrated dust collector valve with TPE diaphragm
- For rapid response, high peak pressures and very good flow rates
- Pilot/solenoid actuated valve

Technical Data

Medium:
Air

Mounting position:
Optional

Diameter:
Ø 135 mm

Working pressure:
0,4 ... 8 bar (pulsating)

Dusty gas temperature:
-20 ... +80°C (-4 ... +176°F)

Coil gas temperature:
-20 ... +80°C (-4 ... +176°F)

Ambient temperature:
-20 ... +80°C (-4 ... +176°F)

Volume:
0,14 dm³ /cm of tank length

Minimum spacing:
75 mm

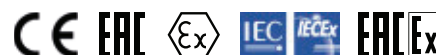
Materials

Body:
Aluminium/PA66

Seat seal:
TPE

Pilot seal:
TPU

Flex-on™



● Technical data - standard models

Further information

Please contact a member of our sales team to check the model number.

● Standard solenoid systems

Voltage and frequency solenoid 8171 *1)

Code Voltage	Code Frequency	Voltage	Frequency	Power consumption Inrush	Holding
024	00	24 V d.c.	-	12 W	12 W
024	50	24 V a.c.	50 Hz	23 VA	16 VA
110	50	110 V a.c.	50 Hz	23 VA	16 VA
120	60	120 V a.c.	60 Hz	23 VA	16 VA
230	50	230 V a.c.	50 Hz	23 VA	16 VA

Voltage and frequency solenoid 8001

024	00	24 V d.c.	-	12 W	12 W
024	50	24 V a.c.	50 Hz	20 VA	16 VA
110	50	110 V a.c.	50 Hz	20 VA	16 VA
120	60	120 V a.c.	60 Hz	20 VA	16 VA
230	50	230 V a.c.	50 Hz	20 VA	16 VA

*1)  coil only

Electrical details for all solenoid systems

Design	DIN VDE 0580
Voltage range	±10%
Duty cycle	100% ED
Protection class	EN 60529 IP65
Socket	Form A acc. to DIN EN 175301-803 (included)

According to DIN VDE 0580 at a solenoid temperature of +20°C.
At operating state temperature the input power of a coil decreases by up to ca. 30% due to physical reasons.

Additional solenoid systems for hazardous areas

ATEX category	ATEX-Protection class	IP-protection class	Solenoid	Standard voltages
II 3G II 3D	Ex ec IIC T4 Gc Ex tc IIIC T130°C DC	IP65	8176	24 V DC, 110 V AC, 230 V AC
II 2G II 2D	Ex eb mb IIC T4 Gb Ex mb tb IIIB T135°C Db	IP66	6176	24 V DC, 110 V AC, 230 V AC

Attention!

The conditions imposed on the Ex approvals lead to reduction of the permissible standard temperature ranges in the cases of explosion protected solenoids.

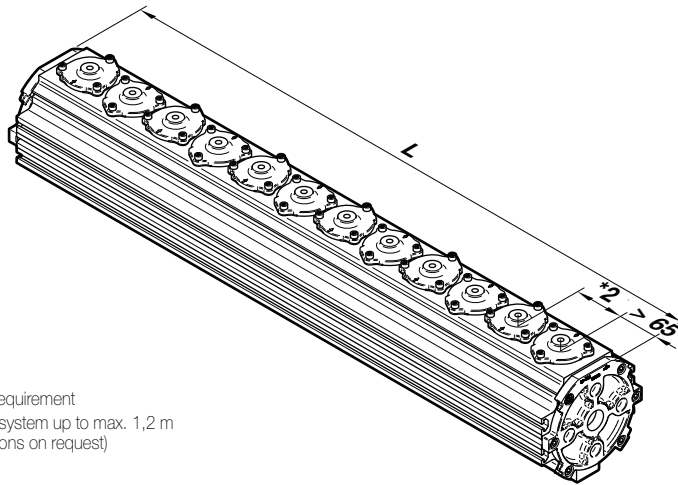
8589xxx

Systems for dust collectors with integrated dust collector valves
 Ø 135 mm diameter for DN 25 valves

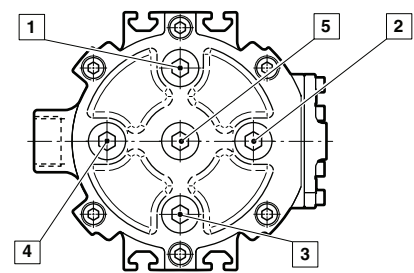
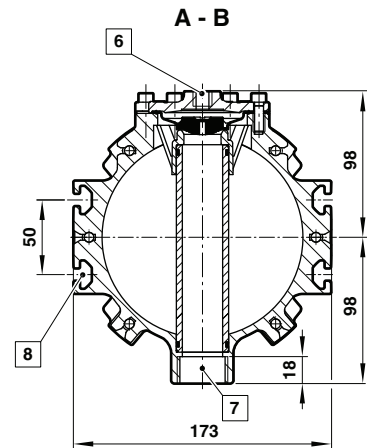
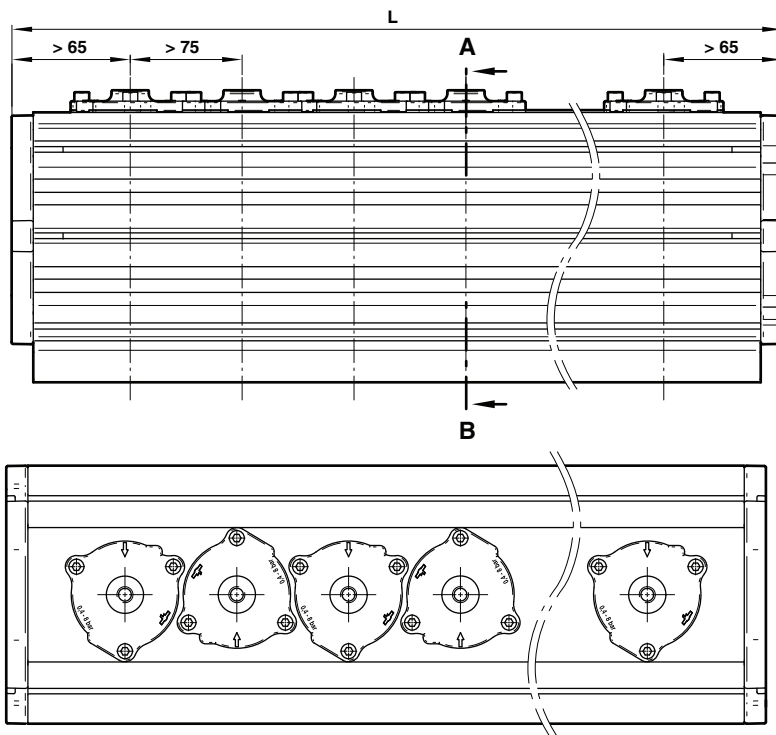
● Dimensions

Pilot actuated valve

Examples for mounting parts



*2) Min. 75 mm, but max. to customer requirement
 L Individual length of the filter cleaning system up to max. 1,2 m completely mounted (further dimensions on request)



- 1 2 3 4 Connection
 G1/2 or 1/2 NPT
 - Condensate drain
 - Pressure gauge
 - Pressure switch
 - Reading point

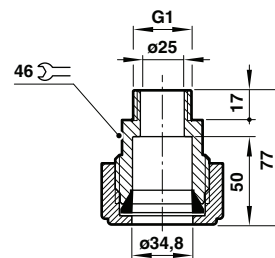
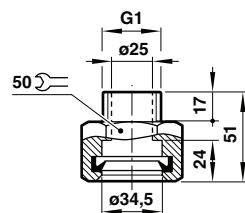
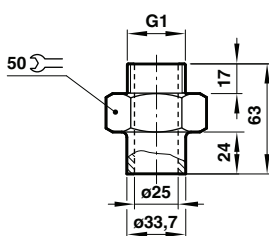
- 5 Connection
 G1, G1/2 or G3/4 resp.
 1 NPT, 1/2 NPT or 3/4 NPT
 - Compressed air supply
 - Input solenoid valve
- 6 Pilot connection G1/8 resp. 1/8 NPT
- 7 Connection thread G1 for adapters

- 8 Groove with sliding block
 (in acc. to DIN 508)
 for mounting of
 - Electronic control
 - Purge valve for measuring
 pipes of diff. pressure regulator
 - Cable channel

Hose connection

Plug connection

Crimp connection

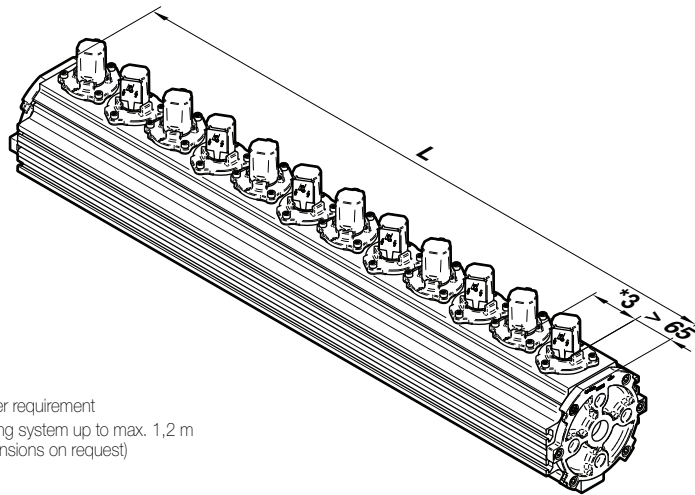


8589xxx

Systems for dust collectors with integrated dust collector valves
 Ø 135 mm diameter for DN 25 valves

● Dimensions

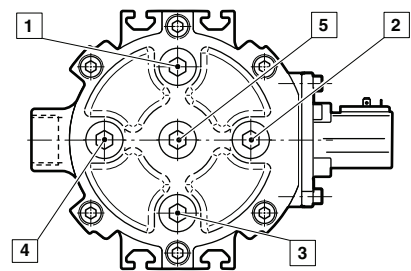
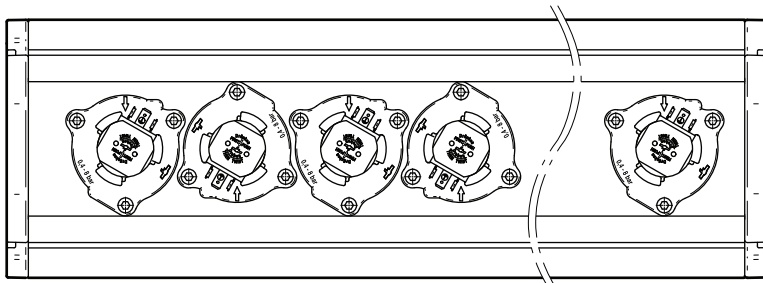
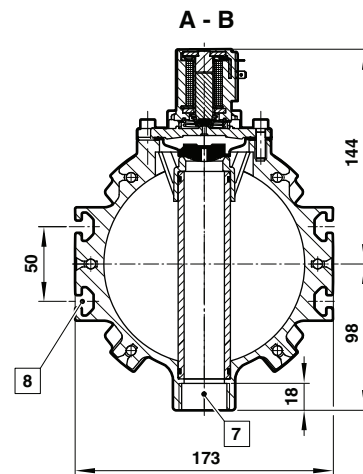
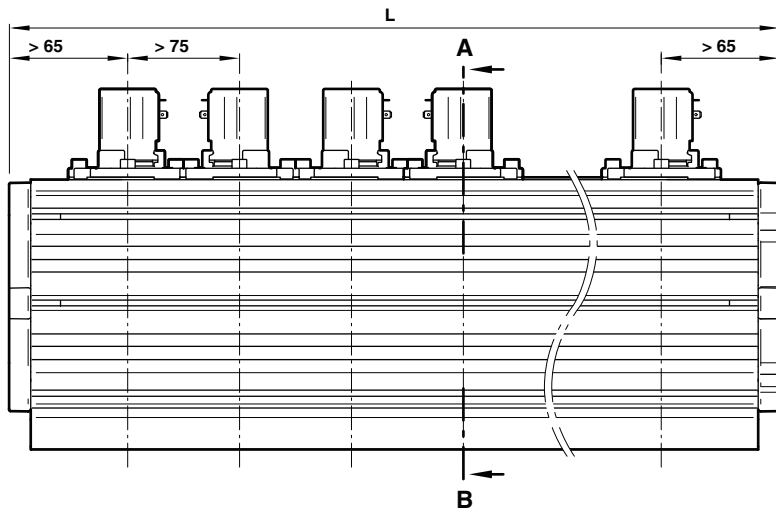
Solenoid actuated valve



Examples for mounting parts



*3) Min. 75 mm, but max. to customer requirement
 L Individual length of the filter cleaning system up to max. 1,2 m completely mounted (further dimensions on request)



- 1 2 3 4 Connection
 G1/2 or 1/2 NPT
 - Condensate drain
 - Pressure gauge
 - Pressure switch
 - Reading point

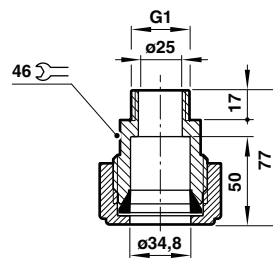
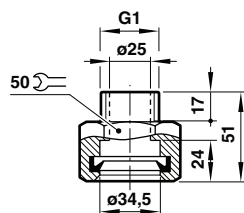
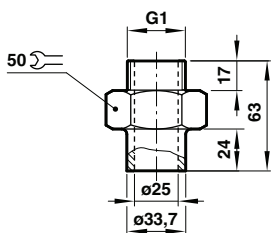
- 5 Connection
 G1, G1/2 or G3/4 resp.
 1 NPT, 1/2 NPT or 3/4 NPT
 - Compressed air supply
 - Input solenoid valve
- 7 Connection thread G1 for adapters

- 8 Groove with sliding block
 (in acc. to DIN 508)
 for mounting of
 - Electronic control
 - Purge valve for measuring
 pipes of diff. pressure regulator
 - Cable channel

Hose connection

Plug connection

Crimp connection



8588xxx

Systems for dust collectors with integrated dust collector valves
 Ø 75 mm diameter for DN 25 valves

Flex-on™

- Filter cleaning system Flex-on®
- Choice of virtually any number of valves at spacing of at least 75 mm
- Different blow-tube connections available include pipe, thread, flange socket, etc.
- Integrated dust collector valve with TPE diaphragm
- For rapid response, high peak pressures and very good flow rates
- Pilot/Solenoid actuated valve

Technical Data

Medium:
Air

Mounting position:
Optional

Diameter:
Ø 135 mm

Working pressure:
0,4 ... 8 bar (pulsating)

Dusty gas temperature:
-20 ... +80°C (-4 ... +176°F)

Coil gas temperature:
-20 ... +80°C (-4 ... +176°F)

Ambient temperature:
-20 ... +80°C (-4 ... +176°F)

Volume:
0,45 dm³/cm of tank length

Minimum spacing:
90 mm

Materials

Body:
Aluminium/PA66

Seat seal:
TPE

Pilot seal:
TPU



● Technical data - standard models

Further information

Please contact a member of our sales team to check the model number.

● Standard solenoid systems

Voltage and frequency solenoid 8171 *1)

Code Voltage	Code Frequency	Voltage	Frequency	Power consumption Inrush	Holding
024	00	24 V d.c.	-	12 W	12 W
024	50	24 V a.c.	50 Hz	23 VA	16 VA
110	50	110 V a.c.	50 Hz	23 VA	16 VA
120	60	120 V a.c.	60 Hz	23 VA	16 VA
230	50	230 V a.c.	50 Hz	23 VA	16 VA

Voltage and frequency solenoid 8001

024	00	24 V d.c.	-	12 W	12 W
024	50	24 V a.c.	50 Hz	20 VA	16 VA
110	50	110 V a.c.	50 Hz	20 VA	16 VA
120	60	120 V a.c.	60 Hz	20 VA	16 VA
230	50	230 V a.c.	50 Hz	20 VA	16 VA

*1)  coil only

Electrical details for all solenoid systems

Design	DIN VDE 0580
Voltage range	±10%
Duty cycle	100% ED
Protection class	EN 60529 IP65
Socket	Form A acc. to DIN EN 175301-803 (included)

According to DIN VDE 0580 at a solenoid temperature of +20°C.
 At operating state temperature the input power of a coil decreases
 by up to ca. 30% due to physical reasons.

Additional solenoid systems for hazardous areas

ATEX category	ATEX-Protection class	IP-protection class	Solenoid	Standard voltages
II 3G II 3D	Ex ec IIC T4 Gc Ex tc IIIC T130°C DC	IP65	8176	24 V DC, 110 V AC, 230 V AC
II 2G II 2D	Ex eb mb IIC T4 Gb Ex mb tb IIIB T135°C Db	IP66	6176	24 V DC, 110 V AC, 230 V AC

Attention!

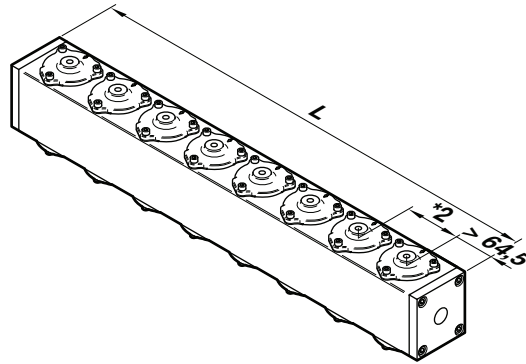
The conditions imposed on the Ex approvals lead to reduction of the permissible standard temperature ranges in the cases of explosion protected solenoids.

8588xxx

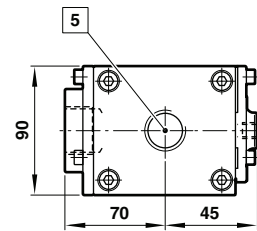
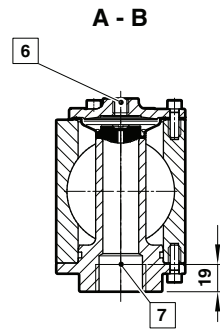
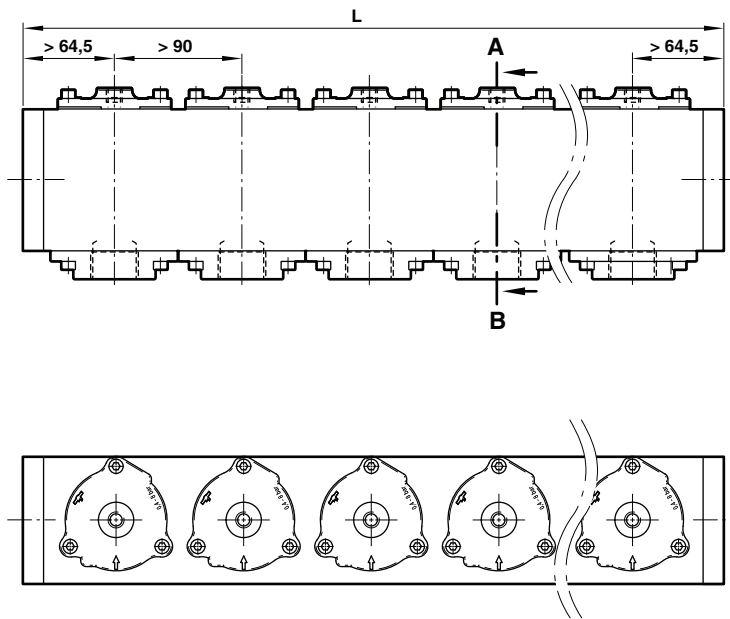
Systems for dust collectors with integrated dust collector valves
 Ø 75 mm diameter for DN 25 valves

● Dimensions

Pneumatic actuated valve



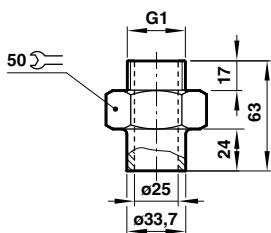
*2) Min. 75 mm, but max. to customer requirement
 L Individual length of the filter cleaning system up to max. 1,2 m completely mounted (further dimensions on request)



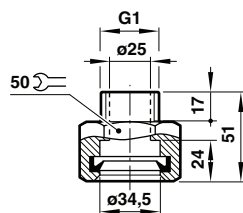
- 5 Connection G1/2 or 1/2 NPT
 - Condensate drain
 - Pressure gauge
 - Pressure switch
 - Reading point
 - Compressed air supply
 - Input solenoid valve

- 6 Pilot connection
G1/8 resp. 1/8 NPT
- 7 Connection thread G1 for adapters

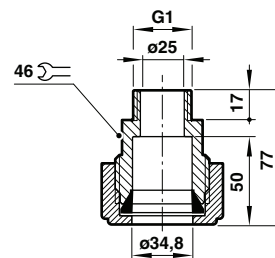
Hose connection



Plug connection



Crimp connection

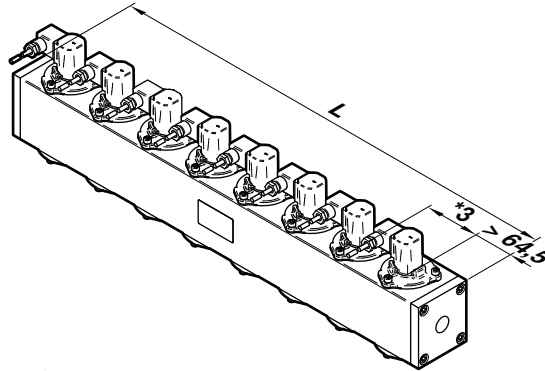


8588xxx

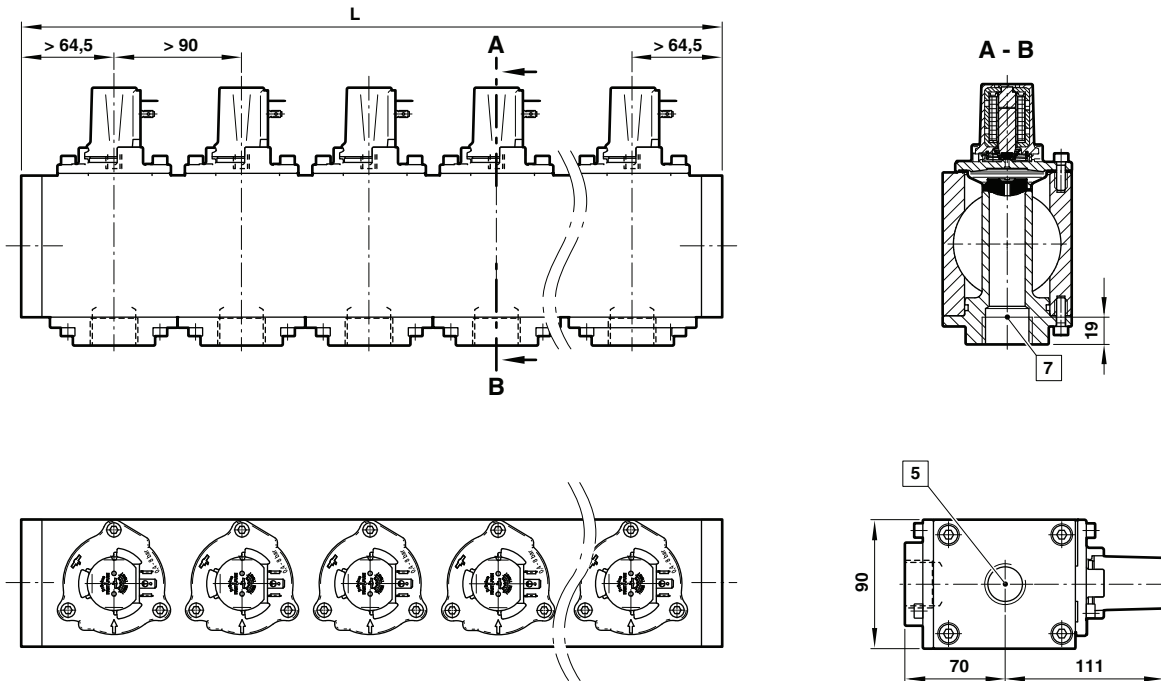
Systems for dust collectors with integrated dust collector valves
Ø 75 mm diameter for DN 25 valves

● Dimensions

Solenoid actuated valve



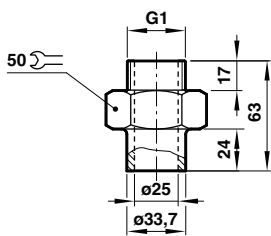
*3) Min. 75 mm, but max. to customer requirement
L Individual length of the filter cleaning system up to max. 1,2 m completely mounted (further dimensions on request)



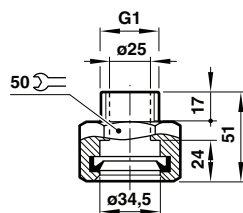
- 5 Connection G1/2 or 1/2 NPT
- Condensate drain
 - Pressure gauge
 - Pressure switch
 - Reading point
 - Compressed air supply
 - Input solenoid valve

- 7 Connection thread G1 for adapters

Hose connection



Plug connection



Crimp connection

