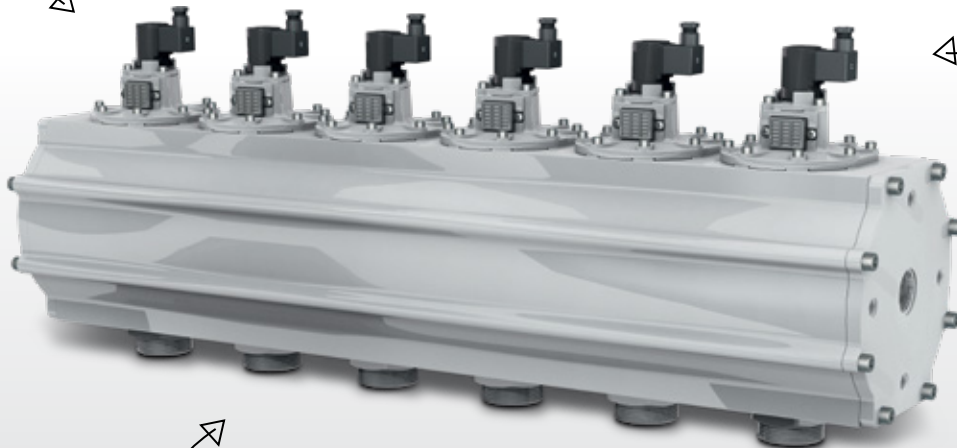




# One system, many benefits: Efficient filter cleaning with Flex-on<sup>®</sup>

*One-stop shop for  
all components*

*Efficient filter  
dedusting and optimal  
cleaning results*



*Maximum safety in  
accordance with PED  
and EN 13445*

*Engineering  
GREAT Solutions*

# Contents

03 Many applications, one system:  
The Flex-on® series

04 Efficient filter cleaning with the new  
Flex-on® system by IMI Buschjost

05 Flex-on® filter cleaning systems:  
One-stop shop for all components

07 Maximum flexibility:  
An overview of the options  
with Flex-on®



## Engineering GREAT solutions through people, products, innovation and service

IMI Precision Engineering is a world-leader in fluid and motion control. Building close, collaborative relationships with our customers, we gain a deep understanding of their engineering needs and then mobilise our resources and expertise to deliver distinctive products and solutions.

Wherever precision, speed and engineering reliability are essential, our global footprint, problem-solving capability and portfolio of high performance products enables us to deliver GREAT solutions which help customers tackle the world's most demanding engineering challenges.

> **Reliability**

We deliver and support our high quality products through our global service network.

> **High performance products**

Calling on a world-class portfolio of fluid and motion control products including IMI Norgren, IMI Buschjost, IMI FAS, IMI Herion and IMI Maxseal. We can supply these singly, or combined in powerful customised solutions to improve performance and productivity.

> **Partnership & Problem Solving**

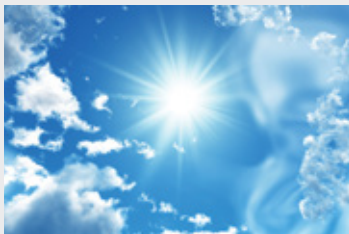
We get closer to our customers to understand their exact challenges.

# Many applications, one system: The Flex-on® series

## Flex-on® Filter cleaning systems



Ventilation



Mills



Toner production



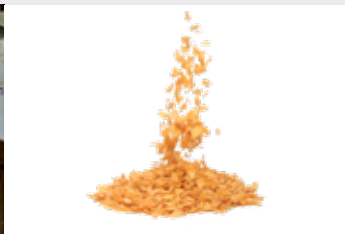
Turbines



Mining



Cornflakes



Lime works



Paint



Coal



Power plants



Wood processing



Stone



# Efficient filter cleaning with the new Flex-on® system by IMI Buschjost

Optimal cleaning results, custom modular construction, one-stop shop for all components: the new Flex-on® filter cleaning system by IMI Buschjost, one of IMI Precision Engineering's leading product brands, provides a number of benefits. The new 85870 series completes the range of Flex-on® systems and will be available from summer 2019.

The market for filter cleaning systems is clearly moving in the direction of all-in-one solutions: Users buy complete systems from a single supplier rather than purchasing the individual components from various different providers. Based on the "one-stop shop" concept, the new Flex-on® series meets this requirement: It enables plant operators to reduce their supplier base and is also significantly cheaper than costly tank construction and installation of purchased parts by the users themselves.

## Maximum safety from the first use

Flex-on® is great from a safety point of view, too: From design to series production, the entire creation process of the new system is based on the requirements of the EN 13445 standard harmonised with the Pressure Equipment Directive 2014/68/EU. Flex-on® provides maximum safety right from the first time it is commissioned. There are no more pressure tests and risk analyses, which means that operators save both time and money.

Thanks to its modular construction, the new Flex-on® system is tailored precisely to the individual requirements of its users. They can easily integrate it into their existing systems via Plug and Play. The basis of the system is a tank, which is up to three metres long, with an internal diameter of 220 millimetres. It is made of high-quality aluminium profile, which is corrosion-resistant and durable. Thanks to its smooth surface, the tank is resistant to dust and dirt, which also makes it safe for use in the strictly regulated food industry.

## Powerful valves for efficient filter dedusting

Depending on the requirements, the tank can be equipped with dust collector valves of nominal sizes DN 40 to DN 65. At maximum length, it can accommodate up to 20 valves. Their benefits are high pressure peaks, minimal deflection of the cleaning gas and extremely quick opening and closing times, which can be realised by using high-quality TPE diaphragms. Users benefit not only from particularly efficient cleaning of the filter elements, but also from lower compressed air consumption and reduced operating costs.

The Flex-on® series is designed for a maximum pressure drop to 0 bar. The system operates without pressure loss and leaks at a media temperature between -20 and +85 °C; the maximum operating pressure is 8 bar.

## Is there something missing?

Depending on the field of use, it is easy for users to add additional components to the Flex-on® system. IMI Precision Engineering supplies the right accessories because the "one-stop shop" concept applies here, too:

- > Valve controllers by IMI Buschjost reliably indicate the degree of contamination of individual filter elements and signal that cleaning is required as soon as the upper threshold value is exceeded.
- > Standard combination units, such as the Excelon® Plus series by IMI Norgren, with their new safety features and a compact and lightweight, yet robust, design ensure that the systems can be operated without any problems, either as a stand-alone unit or as a modular assembly.

## One system, many benefits

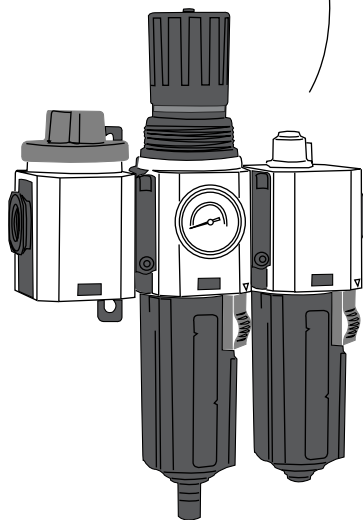
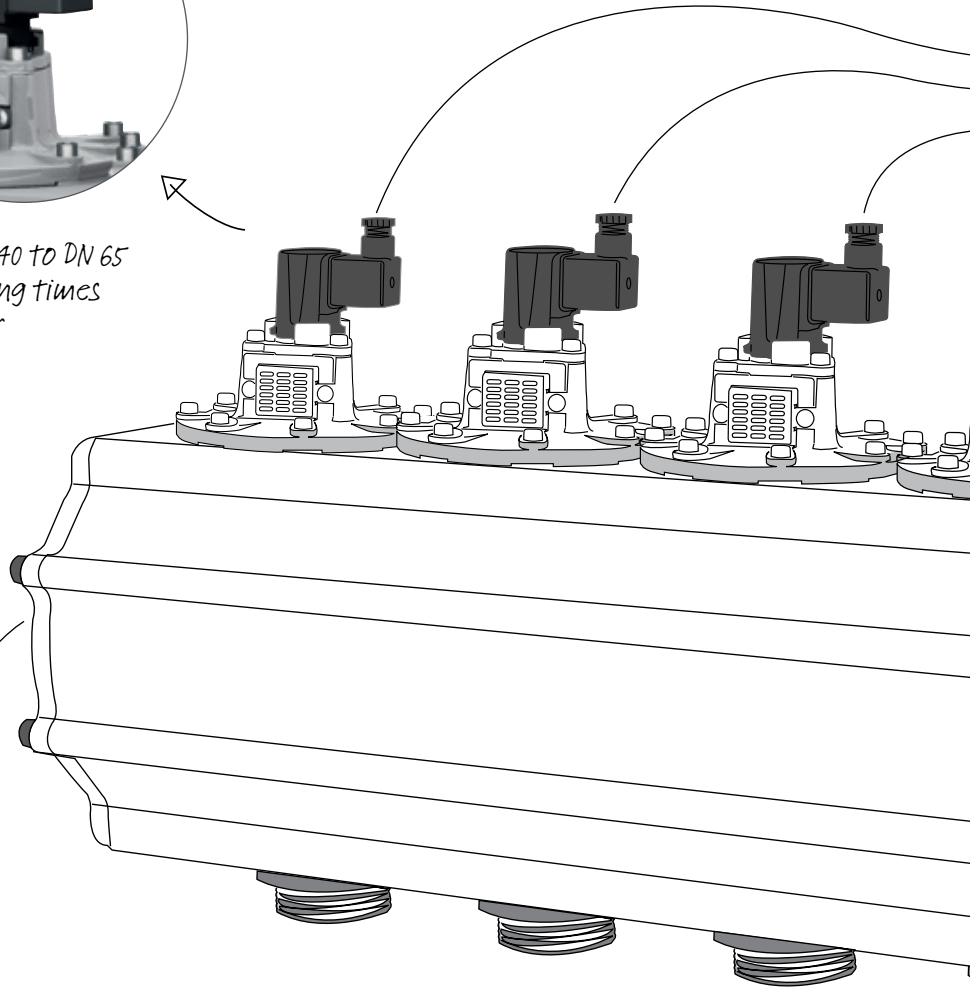
- > Optimum cleaning results
- > Customized design using the modular principle
- > One-stop shop for all components
- > Low compressed air consumption and reduced operating costs
- > Maximum safety: PED and EN 13445 compliant
- > High-quality and durable materials
- > Suitable for use with food
- > Equipped with powerful dust collector valves

# Flex-on® filter cleaning systems: One-stop shop for all components



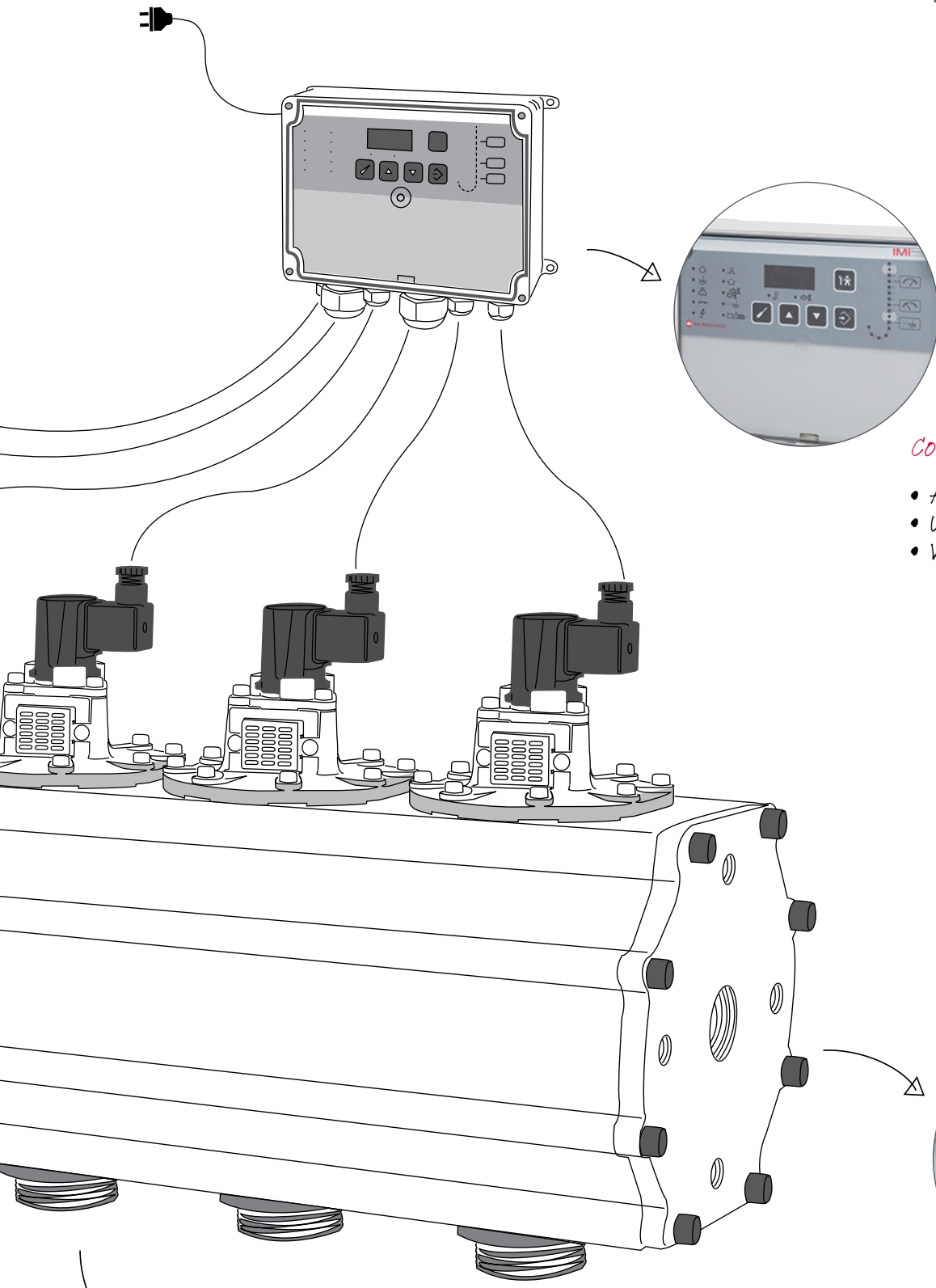
*Solenoid valve*

- Dust collector valves DN 40 to DN 65
- Quick opening and closing times
- Reduced compressed air consumption



*Standard combination unit*

- Compact design
- Lightweight
- Modular construction



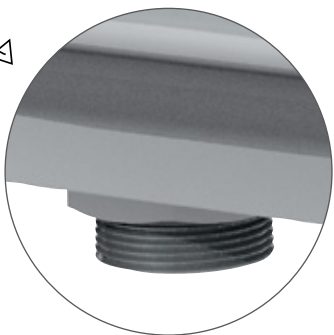
### Controllers

- ATEX-Zone 22
- Up to 64 valves
- Valve monitoring



### Tank profile

- High-quality aluminium profile
- Up to a maximum length of 3 m
- Inner diameter 220 mm






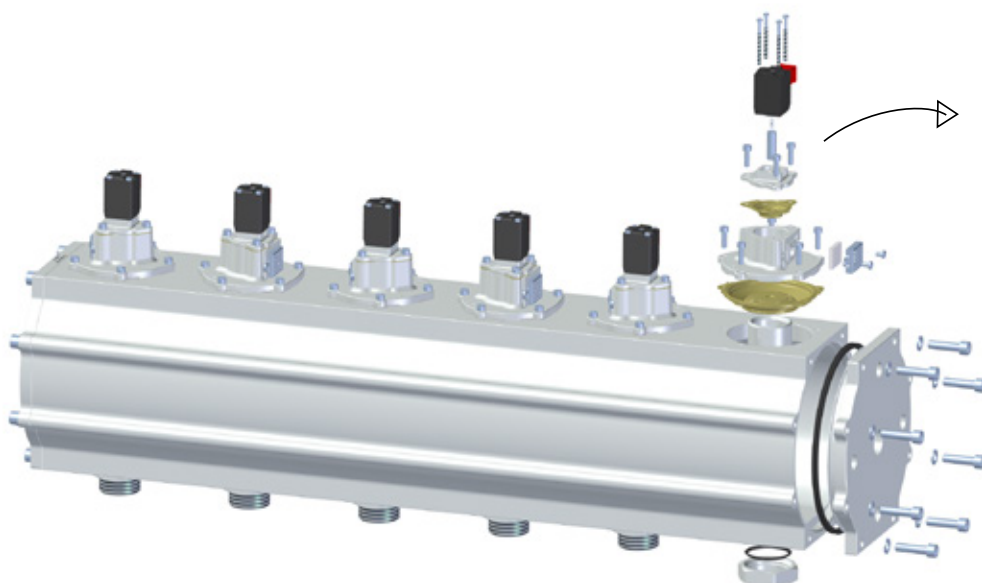
### Connection

- Hose connection
- Compression fitting
- I/A – Threaded connection

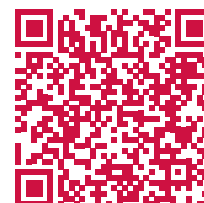
# Maximum flexibility: An overview of the options with Flex-on®

The new Flex-on® 85870 series can be individually adapted to existing systems in accordance with the modular principle. The following table provides an overview of the options.

Medium	Minimum grid size	Pressure range	Temperature (°C)		Material	Approvals	Type
			Dusty gas / Cleaning gas	Ambient			
ø 220 for DN 40	120 mm	0.4 ... 8 bar (swelling)	-20 ... +85	-20 ... +85	Body: Aluminium Seat seal: TPE Seals: TPU		8587xxx
ø 220 for DN 50	150 mm	0.4 ... 8 bar (swelling)	-20 ... +85	-20 ... +85	Body: Aluminium Seat seal: TPE Seals: TPU		8587xxx
ø 220 for DN 65	150 mm	0.4 ... 8 bar (swelling)	-20 ... +85	-20 ... +85	Body: Aluminium Seat seal: TPE Seals: TPU		8587xxx



Use our configurator  
to create your  
individual system!



*Would one size smaller work better?*

*In addition to the Flex-on® system in the 85870 series, IMI Precision Engineering also offers smaller filter cleaning systems with inner diameters of 135 and 75 mm. We would be happy to send you a quotation!*

*Send an email to [buschjost@imi-precision.com](mailto:buschjost@imi-precision.com)  
or call +49 (0) 5731 1731 - 0.*

IMI Precision Engineering operates four global centres of technical excellence and a sales and service network in 50 countries, as well as manufacturing capability in the USA, Germany, China, UK, Switzerland, Czech Republic, Mexico and Brazil.

For information on all IMI Precision Engineering companies visit

[www.imi-precision.com](http://www.imi-precision.com)

**Supported by distributors worldwide.**

# IMI

**Precision Engineering**

Norgren, Buschjost, FAS, Herion and Maxseal are registered trademarks of IMI Precision Engineering companies.

Due to our policy of continuous development, IMI Precision Engineering reserve the right to change specifications without prior notice.

z9018BR en/06/19

Selected Images used under license from Shutterstock.com

*Engineering*

*GREAT*

*Solutions*



 **IMI NORGREN**

 **IMI BUSCHJOST**

 **IMI FAS**

 **IMI HERION**

 **IMI MAXSEAL**

For further information, scan this QR code or visit [www.imi-precision.com](http://www.imi-precision.com)

