

82900/82910

2/2-way valves, remote pilot operated
DN 20 ... 80, G3/4 ... 3, 3/4 ... 2 1/2 NPT

- High flow rate
- Clear, compact design
- One-piece diaphragm
- Easy to maintain

Technical Data

Medium:
Air

Switching function:
Normally closed

Flow direction:
Determined

Mounting position:
Optional

Operating pressure:
0,4 ... 7/8 bar

Port size:
G3/4, G1, G1 1/2, G2,
G2 1/2, G3,
3/4 NPT, 1 NPT, 1 1/2 NPT,
2 NPT, 2 1/2 NPT

Pilot connection:
G1/8 resp. 1/8 NPT

Dusty gas temperature:
-20...+85°C (-4 ... +185°F)

Cleaning gas temperature:
-40...+85°C (-40 ... +185°F)

Ambient temperature:
-20...+85°C (-4 ... +185°F)

Materials

Body:
Aluminium

Seat seal:
TPE



● Technical data - standard models

Symbol	Port size	Orifice (mm)	Valve length (mm)	Flow kv value *1) (m³/h)	Operating pressure (bar)	Operating pressure (psi)	Weight (kg)	Model
	G3/4	20	95	18	0,4 ... 8	5,8 ... 116	0,32	8290300.0000.00000
	3/4 NPT	20	95	18	0,4 ... 8	5,8 ... 116	0,32	8291300.0000.00000
	G1	25	95	22	0,4 ... 8	5,8 ... 116	0,29	8290400.0000.00000
	1 NPT	25	95	22	0,4 ... 8	5,8 ... 116	0,29	8291400.0000.00000
	G1 1/2	40	135	59	0,4 ... 8	5,8 ... 116	0,97	8290600.0000.00000
	1 1/2 NPT	40	135	59	0,4 ... 8	5,8 ... 116	0,97	8291600.0000.00000
	G2	50	170	80	0,4 ... 8	5,8 ... 116	1,79	8290700.0000.00000
	2 NPT	50	170	80	0,4 ... 8	5,8 ... 116	1,79	8291700.0000.00000
	G2 1/2	65	170	93	0,4 ... 8	5,8 ... 116	2,07	8290800.0000.00000
	2 1/2 NPT	65	170	93	0,4 ... 8	5,8 ... 116	2,07	8291800.0000.00000
	G3	80	239,5	144	0,4 ... 7	5,8 ... 101	3,7	8290900.0000.00000

*1) Cv-value (US) ≈ kv value x 1,2

82900/82910

2/2-way valves, remote pilot operated
DN 20 ... 80, G3/4 ... 3, 3/4 ... 2 1/2 NPT

Option selector

829★★★★.0000.00000

Thread form	Substitute
ISO G	0
NPT	1

Port size	Substitute
3/4	3
1	4
1 1/2	6
2	7
2 1/2	8
3 (only ISO G)	9

Valve options	Substitute
The resource materials and surfaces are free of silicone	33
Flange version without valve body	54
Dusty gas temperature version -20...+100°C (-4 ... +212°F), Seat seal TPE, Ambient temperature -40...+85°C (-40 ... +185°F), Cleaning gas temperature -20...+85°C (-4 ... +185°F)	62

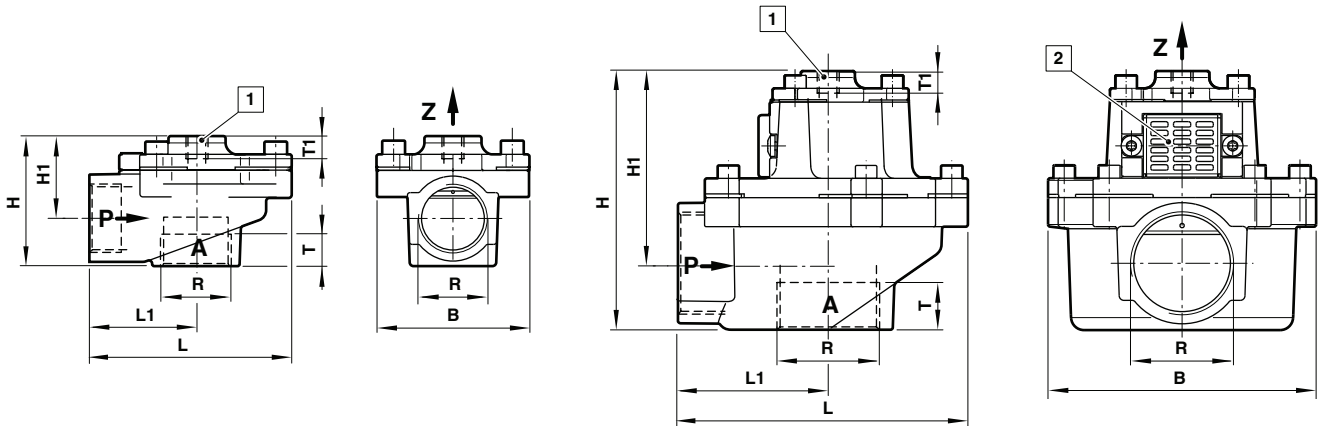
Valve options	Substitute
Dusty gas temperature version -20...+140°C (-4 ... +284°F), Seat seal TPE, Ambient temperature -40...+85°C (-40 ... +185°F), Cleaning gas temperature -20...+85°C (-4 ... +185°F)	63
WEMA-Kor coated	66
Low pressure, 0,1 ... 0,9 bar; reduced bleed orifice diameter	68
Low temperature version -40...+85°C (-40 ... +185°F) Seat seal TPE, Ambient temperature -40...+85°C (-40 ... +185°F), Cleaning gas temperature -40...+85°C (-40 ... +185°F)	71

Dimensions

G3/4 ... 1
3/4 ... 1 NPT

G1 1/2 ... 3
1 1/2 ... 2 1/2 NPT

1 Pilot connection G1/8 resp. 1/8 NPT
2 Silencer



Port size	B	H	H1	L	L1	T	T1	Model
G3/4	80	61,5	39	95	50	16	10	8290300.0000.00000
3/4 NPT	80	61,5	39	95	50	14	10	8291300.0000.00000
G1	80	61,5	39	95	50	18	10	8290400.0000.00000
1 NPT	80	61,5	39	95	50	17	10	8291400.0000.00000
G1 1/2	124,5	122	91	135	70	22	10	8290600.0000.00000
1 1/2 NPT	124,5	122	91	135	70	18	10	8291600.0000.00000
G2	140	145	104	170	95	25	10	8290700.0000.00000
2 NPT	140	145	104	170	95	18	10	8291700.0000.00000
G2 1/2	140	160	115	170	95	25	10	8290800.0000.00000
2 1/2 NPT	140	160	115	170	95	24	10	8291800.0000.00000
G3	196	176	123,5	239,5	143	33	10	8290900.0000.00000

82900/82910, single stage

2/2-way valves, remote pilot operated
DN 40 ... 80, G1 1/2 ... 3, 1 1/2 ... 2 1/2 NPT

- High flow rate
- All internal components captive
- Clear, compact design
- One-piece diaphragm

Technical Data

Medium:
Air

Switching function:
Normally closed

Flow direction:
Determined

Mounting position:
Optional

Operating pressure:
0,4 ... 7/8 bar

Port size:
G1 1/2, G2, G2 1/2, G3,
1 1/2 NPT, 2 NPT, 2 1/2 NPT

Pilot connection:
G1/8 resp. 1/8 NPT

Dusty gas temperature:
-20...+85°C (-4 ... +185°F)

Cleaning gas temperature:
-40...+85°C (-40 ... +185°F)

Ambient temperature:
-20...+85°C (-4 ... +185°F)

Materials

Body:
Aluminium

Seat seal:
TPE

Internal parts:
TPU



● Technical data - standard models

Symbol	Port size	Orifice (mm)	Valve length (mm)	Flow kv value *1) (m³/h)	Operating pressure (bar)	Operating pressure (psi)	Weight (kg)	Model
	G1 1/2	40	135	59	0,4 ... 8	5,8 ... 116	1,18	8290690.0000.00000
	1 1/2 NPT	40	135	59	0,4 ... 8	5,8 ... 116	1,18	8291690.0000.00000
	G2	50	169	80	0,4 ... 8	5,8 ... 116	2,02	8290790.0000.00000
	2 NPT	50	169	80	0,4 ... 8	5,8 ... 116	2,02	8291790.0000.00000
	G2 1/2	65	169	93	0,4 ... 8	5,8 ... 116	2,30	8290890.0000.00000
	2 1/2 NPT	65	169	93	0,4 ... 8	5,8 ... 116	2,30	8291890.0000.00000
G3	80	239,5	172	0,4 ... 7	5,8 ... 101	3,50	8290990.0000.00000	

*1) Cv-value (US) ≈ kv value x 1,2

● Option selector

829★★★★.0000.00000

Thread form	Substitute	Valve options	Substitute
ISO G	6	Flange version without valve body	xx
NPT	7	Dusty gas temperature version -20 ... +100°C (-4 ... +212°F), Seat seal TPE, Ambient temperature -40 ... +85°C (-40 ... +185°F), Cleaning gas temperature -20...+85°C (-4 ... +185°F)	94
Port size	Substitute	Dusty gas temperature version -20 ... +140°C (-4 ... +284°F), Seat seal TPE, Ambient temperature -40...+85°C (-40 ... +185°F), Cleaning gas temperature -20...+85°C (-4 ... +185°F)	93
1 1/2	6		
2	7		
2 1/2	8		
3 (only ISO G)	9		

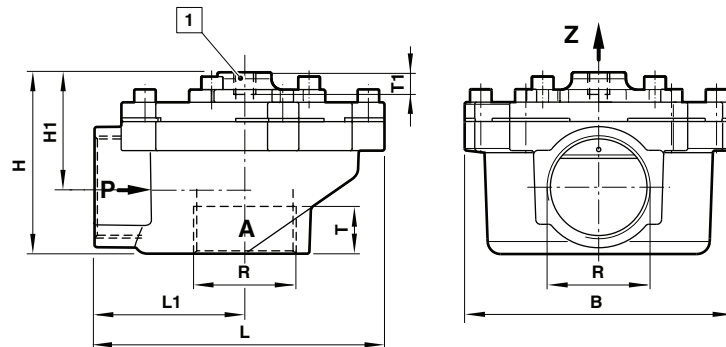
82900/82910, single stage

2/2-way valves, remote pilot operated

DN 40 ... 80, G1 1/2 ... 3, 1 1/2 ... 2 1/2 NPT

● Dimensions

G1 1/2 ... 3
1 1/2 ... 2 1/2 NPT



1 Pilot connection (see table)

Port size R	Pilot connection	B	H	H1	L	L1	T	T1	Model
G1 1/2	G1/8	124,5	91	60	135	70	22	9	8290690.0000.00000
1 1/2 NPT	1/8 NPT	124,5	91	60	135	70	18	9	8291690.0000.00000
G2	G1/4	140	117,5	73	170	95	25	9	8290790.0000.00000
2 NPT	1/4 NPT	140	117,5	73	170	95	18	9	8291790.0000.00000
G2 1/2	G1/4	140	132	84	170	95	25	9	8290890.0000.00000
2 1/2 NPT	1/4 NPT	140	132	84	170	95	24	9	8291890.0000.00000
G3	G1/4	196	141	88,5	239,5	143	33	9	8290990.0000.00000

83300/83310

2/2-way valves, remote pilot operated
DN 20 ... 40, G3/4 ... 1 1/2, 3/4 ... 1 1/2 NPT

- High flow rate
- Clear, compact design
- One-piece diaphragm

Technical Data

Medium:
Air

Switching function:
Normally closed

Flow direction:
Determined

Mounting position:
Optional

Operating pressure:
0,4 ... 8 bar

Port size:
G3/4, G1, G1 1/2,
3/4 NPT, 1 NPT, 1 1/2 NPT

Pilot connection:
G1/8 resp. 1/8 NPT

Dusty gas temperature:
-40...+85°C (-40 ... +185°F)

Cleaning gas temperature:
-40...+85°C (-40 ... +185°F)

Ambient temperature:
-40...+85°C (-40 ... +185°F)

Materials

Body:
Stainless steel (1.4408)

Seat seal:
TPE

Stainless Steel



● Technical data - standard models

Symbol	Port size	Orifice (mm)	Valve length (mm)	Flow kv value *1) (m³/h)	Operating pressure (bar)	Operating pressure (psi)	Weight (kg)	Model
	G3/4	20	95	18	0,4 ... 8	5,8 ... 116	0,70	8330300.0000.00000
	3/4 NPT	20	95	18	0,4 ... 8	5,8 ... 116	0,70	8331300.0000.00000
	G1	25	95	22	0,4 ... 8	5,8 ... 116	0,80	8330400.0000.00000
	1 NPT	25	95	22	0,4 ... 8	5,8 ... 116	0,80	8331400.0000.00000
	G1 1/2	40	135	59	0,4 ... 8	5,8 ... 116	2,90	8330600.0000.00000
	1 1/2 NPT	40	135	59	0,4 ... 8	5,8 ... 116	2,90	8331600.0000.00000

*1) Cv-value (US) ≈ kv value x 1,2

83300/83310

2/2-way valves, remote pilot operated
DN 20 ... 40, G3/4 ... 1 1/2, 3/4 ... 1 1/2 NPT

Option selector

833★ ★ ★ ★ .0000.00000

Thread form	Substitute
ISO G	0
NPT	1

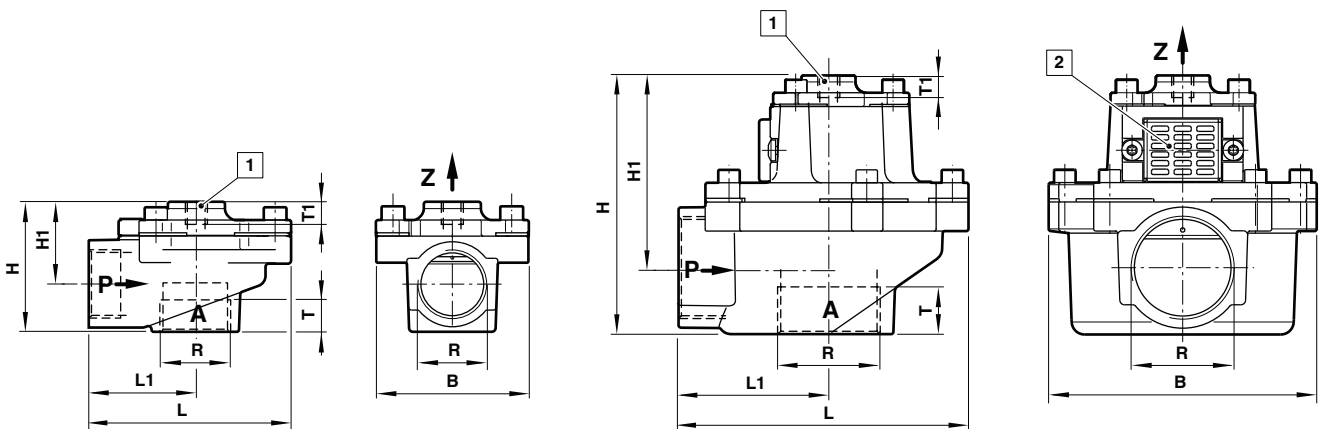
Port size	Substitute
3/4	3
1	4
1 1/2	6

Valve options	Substitute
Flange version without valve body	54
Dusty gas temperature version -20...+100°C (-4 ... +212°F), Seat seal TPE, Ambient temperature -40...+85°C (-40 ... +185°F), Cleaning gas temperature -20 ...+85°C (-4 ... +185°F)	62
Dusty gas temperature version -20 ...+140°C (-4 ... +284°F), Seat seal TPE, Ambient temperature -40 ...+85°C (-40 ... +185°F), Cleaning gas temperature -20...+85°C (-4 ... +185°F)	63
Low temperature version -40 ... +85°C (-40 ... +185°F) Seat seal TPE, Ambient temperature -40 ... +85°C (-40 ... +185°F), Cleaning gas temperature -40 ... +85°C (-40 ... +185°F)	71

Dimensions

G3/4 ... 1
3/4 ... 1 NPT

G1 1/2
1 1/2 NPT



1 Pilot connection G1/8 resp. 1/8 NPT
2 Silencer

Port size R	B	H	H1	L	L1	T	T1	Model
G3/4	80	61,5	39	95	50	16	10	8330300.0000.00000
3/4 NPT	80	61,5	39	95	50	14	10	8331300.0000.00000
G1	80	61,5	39	95	50	18	10	8330400.0000.00000
1 NPT	80	61,5	39	95	50	17	10	8331400.0000.00000
G1 1/2	124,5	122	91	135	70	22	10	8330600.0000.00000
1 1/2 NPT	124,5	122	91	135	70	18	10	8331600.0000.00000

83930

2/2-way valves, remote pilot operated valve for cleaning dust filters. For tank mounting with blow tube DN 25 ... 65

- High flow rate
- Clear, compact design

Technical Data

Medium:
Neutral gases

Switching function:
Normally closed

Flow direction:
Determined

Mounting position:
Optional

Operating pressure:
0,4 ... 8 bar

Port size:
DN 25, DN 40, DN 50, DN 65

Differential pressure:
0,4 bar required

Control port:
G1/8

Dusty gas temperature:
-20 ... +85°C (-4 ... +185°F)

Cleaning gas temperature:
-40 ... +85°C (-40 ... +185°F)

Ambient temperature:
-20 ... +85°C (-4 ... +185°F)

Materials

Body:
Aluminium

Seat seal:
TPE

Blow tube:
Aluminium

Adapter:
Aluminium



● Technical data - standard models

Symbol	Orifice (mm)	Flow kv value *1) (m³/h)	Operating pressure (bar)	Operating pressure (psi)	Weight (kg)	Model
	25	28	0,4 ... 8	5,8 ... 116	0,26	8393400.0000.00000
	40	74	0,4 ... 8	5,8 ... 116	0,90	8393600.0000.00000
	50	104	0,4 ... 8	5,8 ... 116	1,60	8393700.0000.00000
	65	121	0,4 ... 8	5,8 ... 116	2	8393800.0000.00000

*1) Cv-value (US) ≈ kv value x 1,2

Outside dim. of tank/profile (mm)	Model		Plus	Connection kit			
	DN 25	DN 40		Hose connector	Female thread	Male thread	Push-in sleeve
70							
100				1263648	1263641	1263634	1263628
120				1263649	1263642	1263635	1263629
140	8393400.0000.00000	-	+	1263652	1263643	1263636	1263630
160				1263653	1263644	1263637	1263609
180				1263655	1263645	1263638	1263631
200				1263656	1263646	1263639	1263632
70				1263657	1263647	1263640	1263633
100				1263682	1263674	1263666	1263658
120				1263683	1263675	1263667	1263659
140	-	8393600.0000.00000	+	1263684	1263676	1263668	1263660
160				1263685	1263676	1263669	1263661
180				1263686	1263678	1263670	1263662
200				1263687	1263679	1263671	1263663
200				1263688	1263680	1263672	1263664

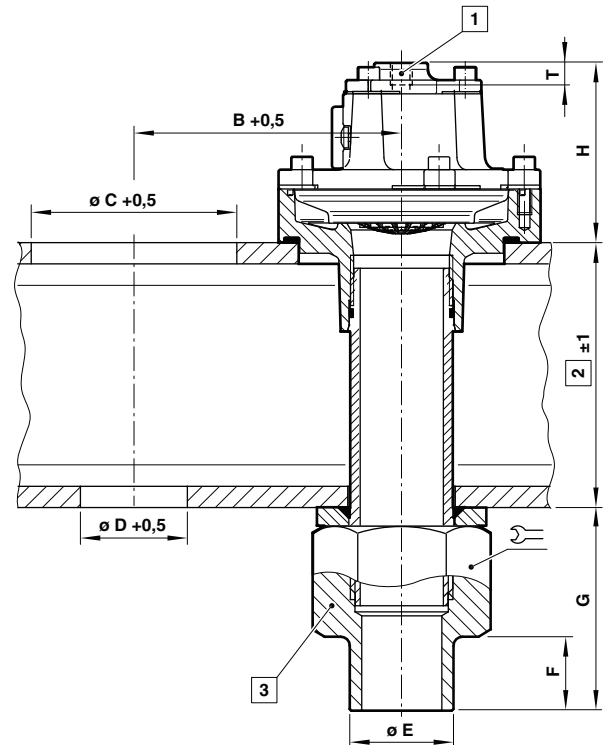
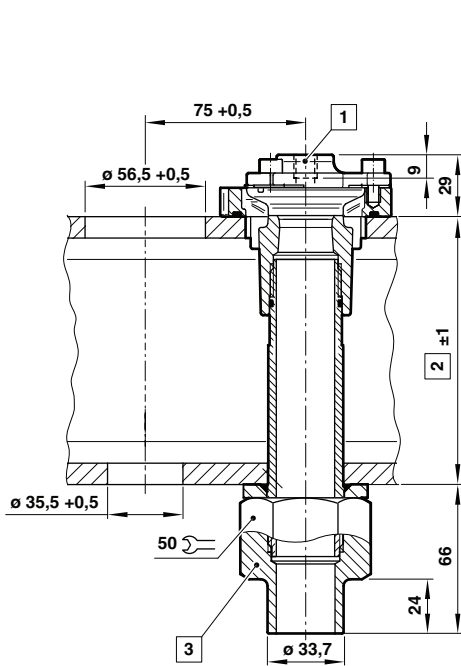
83930

2/2-way valves, remote pilot operated valve for cleaning dust filters. For tank mounting with blow tube DN 25 ... 65

● Dimensions

DN 25

DN 40 ... 65



- 1 Pilot connection G1/8
- 2 Profile
- 3 Hose connector

Orifice (mm)	B	ø C	ø D	ø E	F	G	H	T		Model
25						See drawing				8393400.0000.00000
40	125	96,5	50,5	48,6	30	81	84	10	65	8393600.0000.00000
50	200	116	61	60,3	60	118	89	10	80	8393700.0000.00000
65	200	116	77	74	70	145	89	10	90	8393800.0000.00000

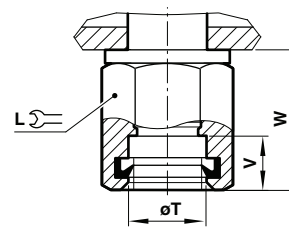
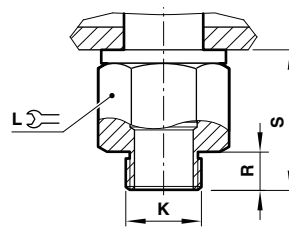
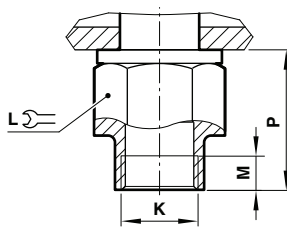
Maximum torque 50 Nm for DN 25 adapter; maximum torque 100 Nm for DN 40 adapter

Other adapters

Female thread

Male thread

Hose connection



Orifice (mm)	K	L	M	P	R	S	øT	V	W
Female thread 25	G1	6kt, 65	15	62	-	-	-	-	-
Female thread 40	G1 1/2	6kt, 65	23	81	-	-	-	-	-
Male thread 25	G1	6kt, 65	-	-	17	62	-	-	-
Male thread 40	G1 1/2	6kt, 65	-	-	25	81	-	-	-
Hose connection 25	-	6kt, 65	-	-	-	-	33,7	24	66
Hose connection 40	-	6kt, 65	-	-	-	-	48,3	40	91

83930 flange version

2/2-way valves, remote pilot operated
DN 80

- High flow rate
- All internal components captive
- Clear, compact design
- Integrated silencer

Technical Data

Medium:
Air

Switching function:
Normally closed

Flow direction:
Determined

Mounting position:
Optional

Operating pressure:
0,4 ... 8 bar (5,8 ... 116 psi)

Port size:
DN 80

Differential pressure:
0,4 bar required

Pilot connection:
G1/4

Dusty gas temperature:
-20 ... +85°C (-4 ... +185°F)

Cleaning gas temperature:
-40 ... +85°C (-40 ... +185°F)

Ambient temperature:
-20 ... +85°C (-4 ... +185°F)

Materials

Body:
Aluminium

Seat seal:
TPE

Seals:
TPU



● Technical data - standard models

Symbol	Orifice (mm)	Valve length (mm)	Flow kv value *1) (m³/h)	Operating pressure (bar)	Operating pressure (psi)	Weight (kg)	Model
	80	239,5	218	0,4 ... 8	5,8 ... 116	3,10	8393900.0000.00000

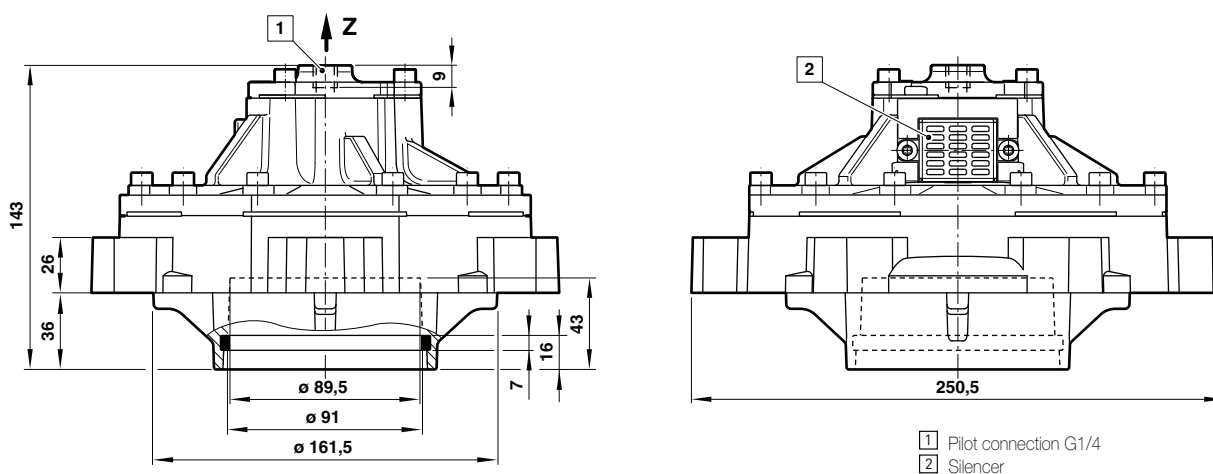
*1) Cv-value (US) ≈ kv value x 1,2

● Option selector

8393★00.0000.00000

Orifice	Substitute
80	9

● Dimensions



1 Pilot connection G1/4
2 Silencer

83640

2/2-way valves, remote pilot operated
DN 25 ... 40

- High flow rate
- Clear, compact design
- One-piece diaphragm
- Simple mounting

Technical Data

Medium:
Air

Switching function:
Normally closed

Flow direction:
Determined

Mounting position:
Optional

Operating pressure:
0,4 ... 8 bar (5,8 ... 116 psi)

Port size:
DN 25, DN 40

Pilot connection:
G1/8

Dusty gas temperature:
-20 ... +85°C (-4 ... +185°F)

Cleaning gas temperature:
-40 ... +85°C (-40 ... +185°F)

Ambient temperature:
-20 ... +85°C (-4 ... +185°F)

Materials

Body:
Aluminium

Seat seal:
TPE

Note:
Control via separate pilot valve or pilot controller.



● Technical data - standard models

Symbol	Orifice (mm)	Flow kv value *1) (m³/h)	Operating pressure (bar)	(psi)	Weight (kg)	Model
	25	22	0,4 ... 8	5,8 ... 116	0,70	8364400.0000.00000
	40	59	0,4 ... 8	5,8 ... 116	1,85	8364600.0000.00000

*1) Cv-value (US) ≈ kv value x 1,2

● Option selector

8364★★★.0000.00000

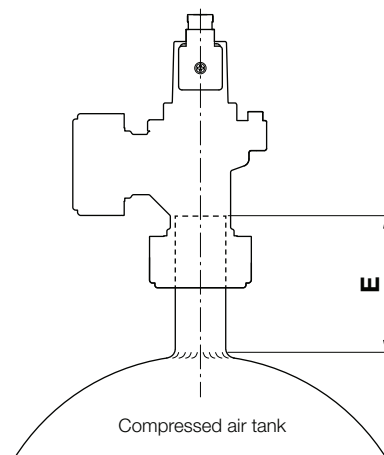
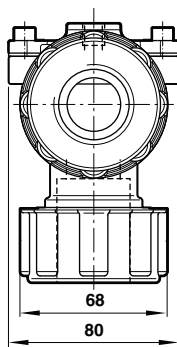
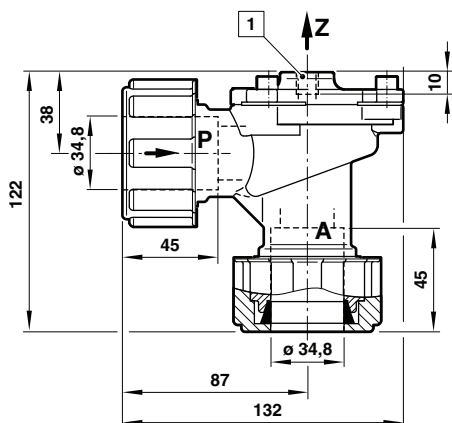
Orifice (mm)	Substitute	Valve options	Substitute
25	4		
40	6		
Valve options	Substitute		
Dusty gas temperature version -20 ... +100°C (-4 ... +212°F), Seat seal TPE, Ambient temperature -40 ... +85°C (-40 ... +185°F), Cleaning gas temperature -20 ... +85°C (-4 ... +185°F)	62	Dusty gas temperature version -20 ... +140°C (-4 ... +284°F), Seat seal TPE, Ambient temperature -40 ... +85°C (-40 ... +185°F), Cleaning gas temperature -20 ... +85°C (-4 ... +185°F)	63
		Low temperature version -40 ... +85°C (-40 ... +185°F) Seat seal TPE, Ambient temperature -40 ... +85°C (-40 ... +185°F), Cleaning gas temperature -40 ... +85°C (-40 ... +185°F)	71
		Pilot connection 1/8 NPT	99

83640

2/2-way valves, remote pilot operated
DN 25 ... 40

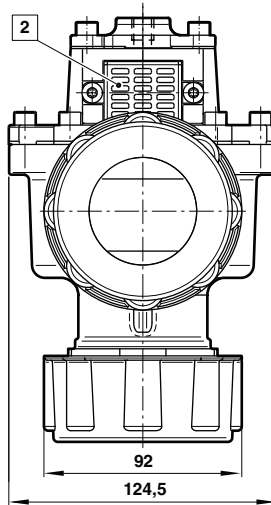
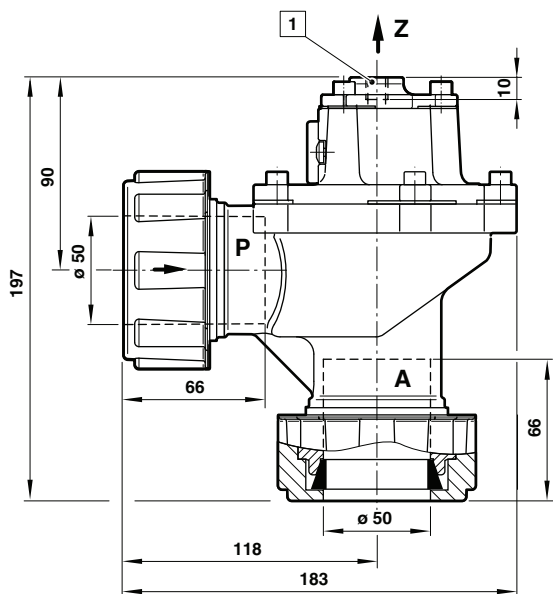
● Dimensions

DN 25



Orifice (mm)	E
25	59
40	83

DN 40



- 1 Pilot connection G1/8
- 2 Silencer