

DIRECTIONAL CONTROL VALVES



Type **AZ8 - AZ9**

Capacity **4 - 30 l/min**

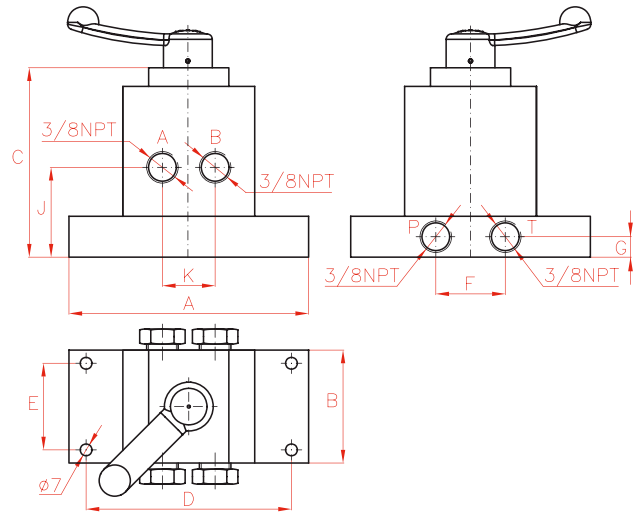
Max. pressure **700 bar**

DIRECTIONAL CONTROL VALVES



AZ8 - AZ9 ACCESSORIES

- ✓ 3- or 4- ways directional control valves for single and double acting cylinders.
- ✓ Manually operated, without spring to centre.
- ✓ Suitable for remote operation.
- ✓ Possibility to select open or closed centre.



Symbol	Flow l/min	Model	Operation	Central Position	A mm	B mm	C mm	D mm	E mm	F mm	G mm	J mm	K mm
	4	AZ8300	Single act.	Open Centre	128	50	107	113	36,0	86	20	60	-
	30	AZ9300	Single act.	Open Centre	128	70	127	113	50,8	54	25	63	-
	4	AZ8301	Single act.	Closed Centre	128	50	107	113	36,0	86	20	60	-
	30	AZ9301	Single act.	Closed Centre	128	70	127	113	50,8	54	25	63	-
	4	AZ8500	Double act.	Open Centre	128	50	107	113	36,0	86	20	60	30
	30	AZ9500	Double act.	Open Centre	128	70	127	113	50,8	54	25	63	38
	4	AZ8501	Double act.	Closed Centre	128	50	107	113	36,0	86	20	60	30
	30	AZ9501	Double act.	Closed Centre	128	70	127	113	50,8	54	25	63	38

