

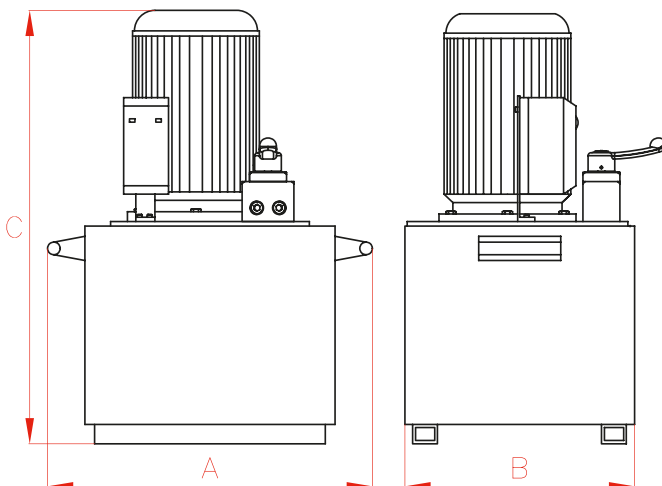


HYDRAULIC ELECTRIC PUMPS (MANUAL VALVE)



- ✓ Manual directional control valves.
- ✓ Also available HBE model, remote pendant controlled solenoid valves.
- ✓ The manual control valve is easily converted from double acting to single acting operation.
- ✓ Internal safety valve set at 700 bar to prevent overpressure.
- ✓ External adjustable pressure relief valve.
- ✓ For use with single acting or double acting cylinders for heavy lifting or production applications.
- ✓ Options: roll bars, heat exchanger, pressure gauge (glycerine or digital), wheel kit, pedal and push button remote motor control.

NOTE: Pressure gauge is not included.



Capacity	A	B	C
l	mm	mm	mm
5	330	230	500
8,5	350	250	525
12,5	370	290	550
25	470	360	670
50	540	415	750
100	830	500	840

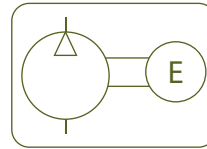


Performance under Pressure

PUMP
Accessories



P.96



HYDRAULIC POWERPACKS



Type **HBM**

Capacity **5 - 100 litres**

Max. pressure **700 bar**

HBM PUMPS

50-60 Hz 3 phase								
Tank	Flow at 700 bar	Flow at 50 bar	230 V		380V/415V		Power	Weight
l	l/min	l/min	S/A	D/A	S/A	D/A	kW	kg
5	0,36	4,00	HBM7222	HBM7242	HBM7224	HBM7244	0,75	21
8,5	0,54	5,90	HBM3322	HBM3342	HBM3324	HBM3344	1,10	30
12,5	0,54	5,90	HBM3422	HBM3442	HBM3424	HBM3444	1,10	38
12,5	0,82	8,64	HBM4422	HBM4442	HBM4424	HBM4444	1,10	40
25	1,64	14,00	HBM5522	HBM5542	HBM5524	HBM5544	2,20	78
25	3,28	11,77	HBM6522	HBM6542	HBM6524	HBM6544	5,50	90
50	1,64	14,00	HBM5622	HBM5642	HBM5624	HBM5644	2,20	130
50	3,28	11,77	HBM6622	HBM6642	HBM6624	HBM6644	5,50	160
100	3,28	11,77	HBM6722	HBM6742	HBM6724	HBM6744	5,50	240

50 Hz Single Phase								
Tank	Flow at 700 bar	Flow at 50 bar	115V		230 V		Power	Weight
l	l/min	l/min	S/A	D/A	S/A	D/A	kW	kg
5	0,36	4,00	HBM7225	HBM7245	HBM7221	HBM7241	0,75	29
8,5	0,54	5,90	HBM3325	HBM3345	HBM3321	HBM3341	1,10	38
12,5	0,54	5,90	HBM3425	HBM3445	HBM3421	HBM3441	1,10	46
12,5	0,82	8,64	HBM4425	HBM4445	HBM4421	HBM4441	1,50	48

60 Hz Single Phase								
Tank	Flow at 700 bar	Flow at 50 bar	115V		230 V		Power	Weight
l	l/min	l/min	S/A	D/A	S/A	D/A	kW	kg
5	0,36	4,00	HBM7226	HBM7246	HBM7223	HBM7243	0,75	29
8,5	0,54	5,90	HBM3326	HBM3346	HBM3323	HBM3343	1,10	38
12,5	0,54	5,90	HBM3426	HBM3446	HBM3423	HBM3443	1,10	46
12,5	0,82	8,64	HBM4426	HBM4446	HBM4423	HBM4443	1,50	48

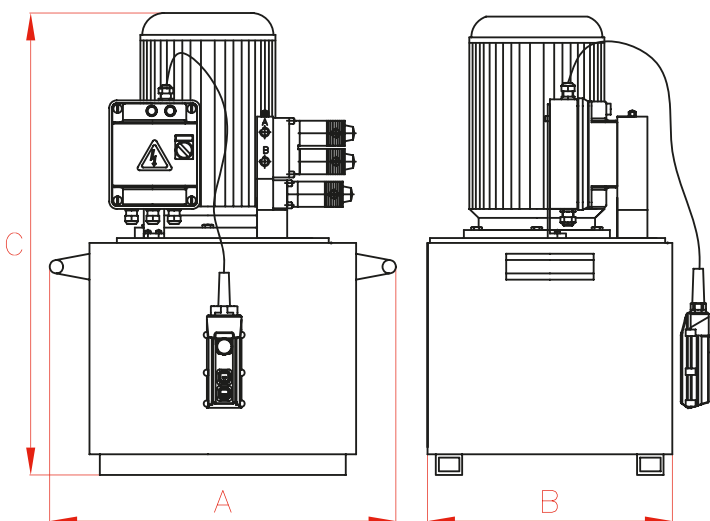


HYDRAULIC ELECTRIC PUMPS (SOLENOID VALVE)



- ✓ Remote pendant controlled solenoid valves with up, down and emergency stop button.
- ✓ Internal safety valve set at 700 bar to prevent overpressure.
- ✓ External adjustable pressure relief valve.
- ✓ For use with single acting or double acting cylinders for heavy lifting or production applications.
- ✓ Supplied with a 3 metre cable with remote pendant.
- ✓ Options: roll bars, heat exchanger, pressure gauge (glycerine or digital), wheel kit, pedal and push button remote motor control.

NOTE: Pressure gauge is not included.



Capacity	A	B	C
l	mm	mm	mm
5	370	230	500
8,5	390	310	525
12,5	410	390	550
25	470	360	670
50	540	415	750
100	830	500	840

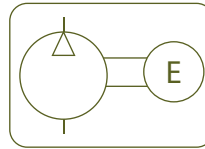


Performance under Pressure

PUMP
Accessories



P.96



HYDRAULIC POWERPACKS



Type

HBE

Capacity

5 - 100 litres

Max. pressure

700 bar

HBE PUMPS

50-60 Hz 3 phase								
Tank	Flow at 700 bar	Flow at 50 bar	230 V		380V/415V		Power	Weight
l	l/min	l/min	S/A	D/A	S/A	D/A	kW	kg
5	0,36	4,00	HBE7262	HBE7272	HBE7264	HBE7274	0,75	27
8,5	0,54	5,90	HBE3362	HBE3372	HBE3364	HBE3374	1,10	35
12,5	0,54	5,90	HBE3462	HBE3472	HBE3464	HBE3474	1,10	43
12,5	0,82	8,64	HBE4462	HBE4472	HBE4464	HBE4474	1,10	45
25	1,64	14,00	HBE5562	HBE5572	HBE5564	HBE5574	2,20	83
25	3,28	11,77	HBE6562	HBE6572	HBE6564	HBE6574	5,56	95
50	1,64	14,00	HBE5662	HBE5672	HBE5664	HBE5674	2,20	135
50	3,28	11,77	HBE6662	HBE6672	HBE6664	HBE6674	5,50	165
100	3,28	11,77	HBE6762	HBE6772	HBE6764	HBE6774	5,50	245

50 Hz Single Phase								
Tank	Flow at 700 bar	Flow at 50 bar	115V		230 V		Power	Weight
l	l/min	l/min	S/A	D/A	S/A	D/A	kW	kg
5	0,36	4,00	HBE7265	HBE7275	HBE7261	HBE7271	0,75	35
8,5	0,54	5,90	HBE3365	HBE3375	HBE3361	HBE3371	1,10	44
12,5	0,54	5,90	HBE3465	HBE3475	HBE3461	HBE3471	1,10	52
12,5	0,82	8,64	HBE4465	HBE4475	HBE4461	HBE4471	1,50	64

60 Hz Single Phase								
Tank	Flow at 700 bar	Flow at 50 bar	115V		230 V		Power	Weight
l	l/min	l/min	S/A	D/A	S/A	D/A	kW	kg
5	0,36	4,00	HBE7266	HBE7276	HBE7263	HBE7273	0,75	35
8,5	0,54	5,90	HBE3366	HBE3376	HBE3363	HBE3373	1,10	44
12,5	0,54	5,90	HBE3466	HBE3476	HBE3463	HBE3473	1,10	52
12,5	0,82	8,64	HBE4466	HBE4476	HBE4463	HBE4473	1,50	64



HYDRAULIC POWERPACKS HBM, HBE SELECTION TABLES

- ✓ LARZEP 700 bar Electric Hydraulic Powerpacks provide high performance in a compact package with super quiet operation.

The range of powerpacks includes:

1. Manual directional control valves (HBM versions) or remote pendant controlled solenoid valves (HBE versions).
2. Seven different pumps, two speeds, from 0.36 to 3.28 l/min at 700 bar.
3. Six tank sizes from 5 to 100 litre capacity.
4. Eight control valves, 2, 3 and 4 ways and 2 or 3 positions.
5. Single-phase (115V or 230V) or three-phase motor (230V or 400/415V).
6. Options: Remote pendant, oil cooler, roll bar, wheel kit, pedal and glycerine or digital gauge.

The powerpacks are available in configurations to suit single acting or double acting cylinders for heavy lifting or production applications.

1. POWERPACK MODEL

Build your powerpack using the charts numbered from 2 to 6

HB	1. Operation	2. Pump	3. Tank	4. Valve HBM	4. Valve HBE	5. Motor	6. Options
	M (Manual)	-	-	0	-	1	B Remote Pendant (For HBM)
	E (Solenoid)	-	2	1	-	2	C Roll Bar
		3	3	2	-	3	D Digital Gauge
		4	4	4	-	4	G Glycerine Gauge
		5	5	-	5	5	H Oil cooler
		6	6	-	6	6	P Foot Switch
		7	7	-	7	-	R Wheels
		-	-	8	-	-	
HB	E	3	4	-	7	2	CR

Example



If you need any help ordering a Powerpack please contact our Internal Sales department.

Type: **HBE3472CR**
1 2 3 4 5 6

- HBE: Hydraulic Powerpack with (E) Solenoid Valve
- 3: 2 speed pump, 5,90 - 0,54 l/min flow
- 4: 12,5 litre tank
- 7: 4/3 valve, double acting
- 2: 3 phase, 230V, 50/60 Hz motor
- CR: with roll bar and wheels



2. PUMP MODEL

Pump	No. of speeds	Oil flow (l/min) at low pressure	Oil flow (l/min) at 700 bar	Minimum tank size (l)	3 phase kW	Single phase kW
3	2	5,90	0,54	8,5	1,10	1,10
4	2	8,64	0,82	12,5	1,10	1,50
5	2	14,00	1,64	25	2,20	-
6	2	11,77	3,28	25	5,50	-
7	2	4,00	0,36	5	0,75	0,75

Higher power series 5 and 6 pumps (2,2kW and 5,5kW) are not available in single phase versions.

3. TANK MODEL

Tank	Oil effective capacity (l)	Length (mm)	Width (mm)	Height (mm)	Material
2	5	≤370	230	500	Aluminium
3	8,5	≤390	≤310	525	Aluminium
4	12,5	≤410	≤390	550	Aluminium
5	25	470	360	760	Steel
6	50	540	415	750	Steel
7	100	830	500	840	Steel

Pump / Tank combinations.

Pump / Tank combinations shown in green are standard. Other possible combinations are shown in white or grey.

Standard	5 L	8,5 L	12,5 L	25 L	50 L	100 L
2 Speed Pump/Tank	72	73	74	75		
		33	34	35	36	
			44	45	46	
				55	56	
				65	66	67

Higher power series, 5 and 6 pumps (2.2 kW and 5.5 kW) are not available in single phase versions.

4. VALVE MODEL

Valve	Ways / Positions	Function	Single / Double acting	Locking*
0	2/2	Advance-Retract auto	Single	No
1	3/2	Advance-Retract	Single	Yes
2	3/3	Advance-Hold-Retract	Single	Yes
4	4/3	Advance-Hold-Retract	Double	Yes
5	3/2	Advance-Retract	Single	No
6	3/3	Advance-Hold-Retract	Single	No
7	4/3	Advance-Hold-Retract	Double	No
8	4/1	No valve	--	--

* Locking valves stays in the selected position. For Non locking valves, the handle or push button must be continuously pressed to deliver oil.

5. MOTOR MODEL

Motor	Voltage (V)	Phases	Hz
1	230	1	50
2	230	3	50/60
3	230	1	60
4	380/415	3	50/60
5	115	1	50
6	115	1	60

6. OPTIONS

