



ULTRA HIGH PRESSURE ALUMINIUM HAND PUMP (2.800 BAR)



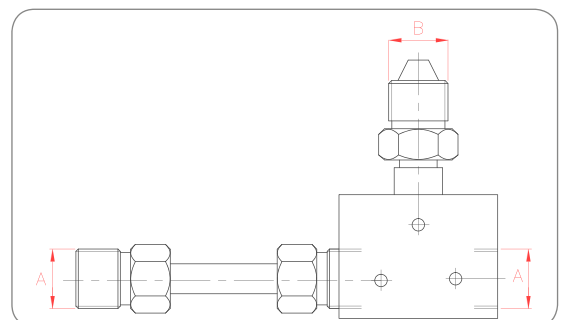
- ✓ WA series pumps are for use with Single Acting tools.
- ✓ Lightweight aluminium pump, ideal for easy portability and handling.
- ✓ Two speed models.
- ✓ Hydraulic outlet port: 3/4"-16 UNF female.
- ✓ Fitted with handle clip for ease of carrying.
- ✓ 3.000 bar accessories available: hoses, couplers, adaptors and gauge.

3.000 BAR PRESSURE GAUGE

Model	Pressure	Scale	Ext. Ø	Width	Thread	Model
LARZEP	bar	bar	mm	mm	mm	LARZEP
AV43010	3.000	50	100	60	Female M16x1.5	AZ1530

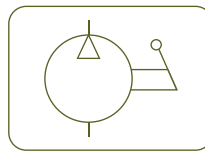
3.000 BAR GAUGE ADAPTOR

Model	A	B
LARZEP	60° Cone	60° Cone
AZ1530	3/4"-16 UNF	M16x1.5

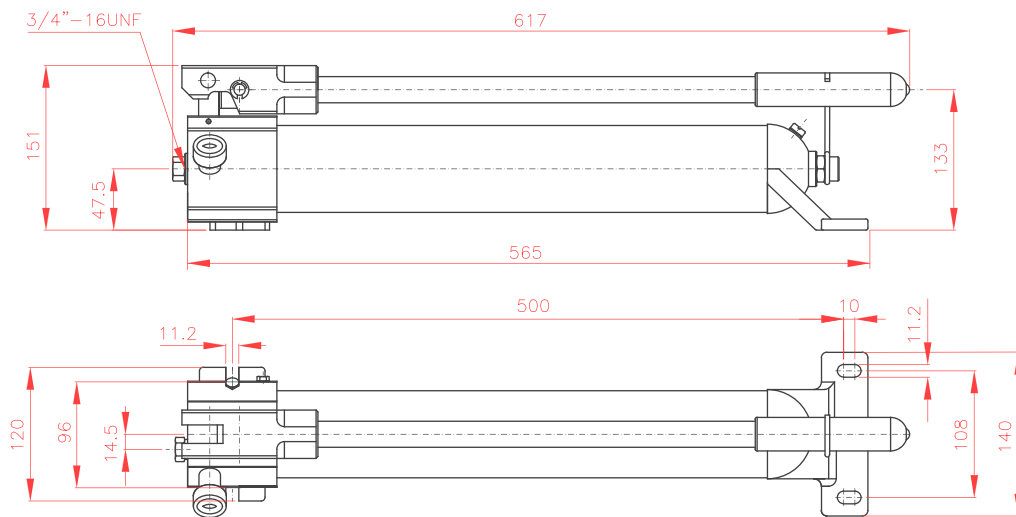


Performance under Pressure

HYDRAULIC ALUM. HAND PUMPS



Type	WA
Capacity	1,0 litre
Max. pressure	2.800 bar



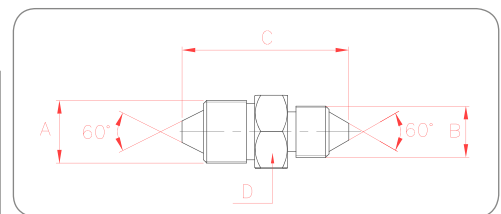
Model	Usable oil cm ³	Handle effort kg	Oil displacement per stroke (cm ³)		Pressure rating (bar)		Weight kg
			1 st Stage	2 nd Stage	1 st Stage	2 nd Stage	
LARZEP							
WA21028	1.000	43	12,9	0,65	14	2.800	4,5

HOSES MAXIMUM WORKING PRESSURE 3.000 BAR

Int. Ø mm	End mm	Pressure bar	Length (m)							
			0,8	1,5	2	3	4	6	8	10
3,9	M16x1.5	3.000	AP6008	AP6015	AP6020	AP6030	AP6040	AP6060	AP6080	AP6100

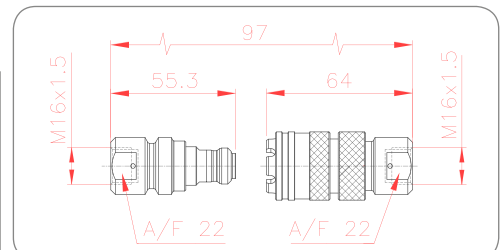
3.000 BAR ADAPTOR

Model	A	B	C	D
LARZEP	60° Cone	60° Cone	mm	mm
AZ1107	3/4"-16 UNF	M16x1.5	50	22



3.000 BAR BALL COUPLERS

Flow l/min	Coupling	Model	Thread	Pressure bar
4,6	Male	AZ3330	Female M16x1.5	3.000
	Female	AZ3350	Female M16x1.5	3.000



WA PUMPS