

MODULAR HAND PUMPS



Type

WI

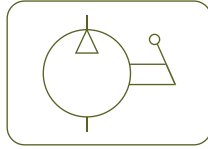
Capacity

-

Max. pressure

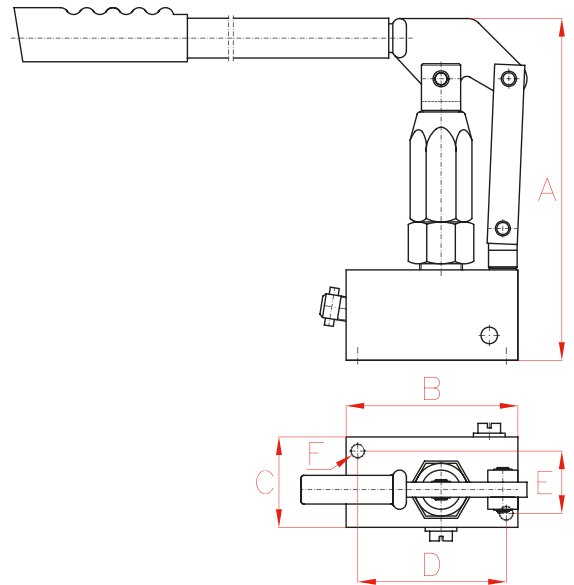
40 - 700 bar

MODULAR HAND PUMPS



WI PUMPS

- ✓ Wide range with different working pressures.
- ✓ Lightweight with tapped holes in the base for easy mounting.
- ✓ All models are black nitrided.
- ✓ Designed for use with external reservoirs.
- ✓ Operating lever included.
- ✓ Tank is not included.



Working Pressure	Model	Max. Pressure	Piston ø	Oil per Stroke	Port Size	A	B	C	D	E	F	Weight
bar	LARZEP	bar	mm	cm <sup>3</sup>	NPT	mm	mm	mm	mm	mm	UNC	kg
700	WI1400	1.400	10	3	3/8"-18NPT	230	114	57	98,5	41,3	3/8"-16UNC	5,3
400	WI700	700	13	4	3/8"-18NPT	230	114	57	98,5	41,3	3/8"-16UNC	5,3
200	WI210	300	19	10	3/8"-18NPT	230	114	57	98,5	41,3	3/8"-16UNC	5,3
100	WI100	200	26	18	3/8"-18NPT	230	114	57	98,5	41,3	3/8"-16UNC	5,7
40	WI040	80	38	36	3/8"-18NPT	230	114	57	98,5	41,3	3/8"-16UNC	7,0

