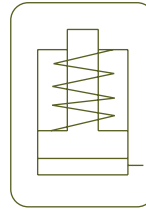


SINGLE ACTING SPRING RETURN CYLINDERS

- ✓ Capacity from 5 to 220 Tn, stroke up to 360 mm.
- ✓ Industrial general purpose cylinders.
- ✓ Strong spring for quick retraction, can be used in all positions.
- ✓ Collar threads, piston end threads and base holes, for accessory mounting.
- ✓ Hard chrome-plated piston with wiper seal to extend cylinder life.
- ✓ Heavy cylinders have carrying handles or eye bolts as standard.
- ✓ Body made of solid steel.
- ✓ Stop ring can withstand full capacity of the cylinder.
- ✓ Guiding bands to improve resistance against side loads.



Performance under Pressure



S/A SPRING RETURN CYLINDERS



Type	SM
Capacity	5-220 Tn
Stroke	25 - 362 mm
Max. pressure	700 bar

SM CYLINDERS



In case of operation under side loads, Larzep can supply tilting saddles.

AZ04
Optional Tilting Saddles



P.118

SM & D
Special attachments for SM and D models



P.10

AZ3
Coupler 3/8" - 18 NPT included



P.114



Larzep designs and manufactures special cylinders and fixing systems. For further information, please contact our Internal Sales department.

SAM
Lightweight Aluminium Cylinders



P.12

D
Double Acting Cylinders



P.56

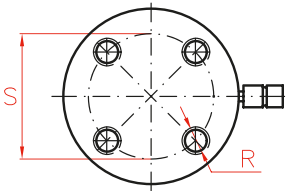
J
Cylinder and pump sets



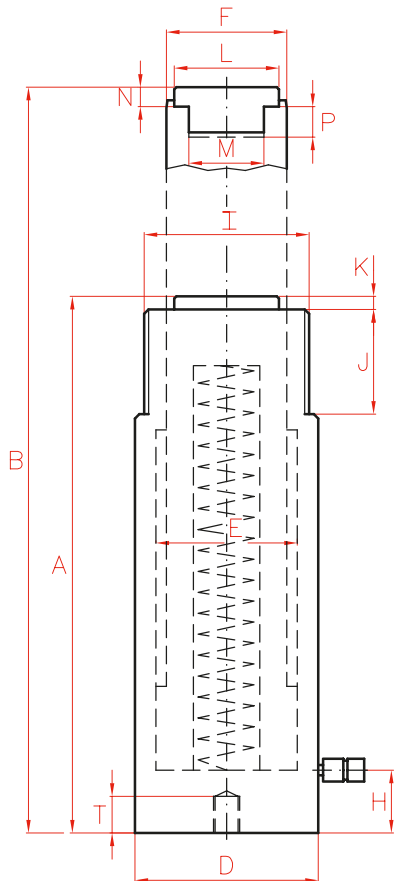
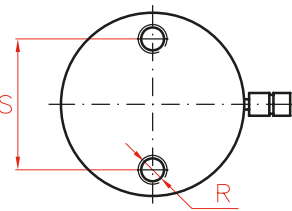
P.76



Models from 100 to 140 Tn.



Models up to 75 Tn.



Capacity		Stroke	Model	Oil Cap.	A	B	D	E	F	H	I	
Tn	kN	mm	LARZEP	cm ³	mm	mm	mm	mm	mm	mm	UN	
5	49	25	SM00502	18	110	135	40	30	25	19	1 1/2"-16	
		76	SM00508	54	168	244	40	30	25	19	1 1/2"-16	
		127	SM00513	90	219	346	40	30	25	19	1 1/2"-16	
		180	SM00518	128	276	456	40	30	25	19	1 1/2"-16	
		232	SM00523	164	328	560	40	30	25	19	1 1/2"-16	
10	109	25	SM01002	40	90	115	60	45	36	20	2 1/4"-14	
		54	SM01005	86	121	175	60	45	36	20	2 1/4"-14	
		105	SM01010	167	172	277	60	45	36	20	2 1/4"-14	
		155	SM01015	247	247	402	60	45	36	20	2 1/4"-14	
		205	SM01020	326	301	506	60	45	36	20	2 1/4"-14	
		257	SM01025	409	352	609	60	45	36	20	2 1/4"-14	
		307	SM01030	489	402	709	60	45	36	20	2 1/4"-14	
		355	SM01035	565	454	809	60	45	36	20	2 1/4"-14	
15	163	25	SM01502	60	127	152	75	55	45	20	2 3/4"-16	
		54	SM01505	129	155	209	75	55	45	20	2 3/4"-16	
		105	SM01510	250	205	310	75	55	45	20	2 3/4"-16	
		155	SM01515	369	275	430	75	55	45	20	2 3/4"-16	
		205	SM01520	487	327	532	75	55	45	20	2 3/4"-16	
		257	SM01525	611	379	636	75	55	45	20	2 3/4"-16	
		307	SM01530	730	426	733	75	55	45	20	2 3/4"-16	
		355	SM01535	844	477	832	75	55	45	20	2 3/4"-16	
23	228	25	SM02302	83	140	165	85	65	56	25	3 5/16"-12	
		51	SM02305	170	166	217	85	65	56	25	3 5/16"-12	
		102	SM02310	339	217	319	85	65	56	25	3 5/16"-12	
		159	SM02315	528	277	436	85	65	56	25	3 5/16"-12	
		210	SM02321	697	327	537	85	65	56	25	3 5/16"-12	
		261	SM02326	866	379	640	85	65	56	25	3 5/16"-12	
		310	SM02331	1.029	430	740	85	65	56	25	3 5/16"-12	
		362	SM02336	1.201	480	842	85	65	56	25	3 5/16"-12	
30	303	60	SM03006	265	165	225	100	75	60	30	3 7/8"-12	
		150	SM03015	663	270	420	100	75	60	30	3 7/8"-12	
		210	SM03021	928	340	550	100	75	60	30	3 7/8"-12	
50	487	60	SM05006	426	176	236	127	95	80	35	5"-12	
		102	SM05010	723	227	329	127	95	80	35	5"-12	
		160	SM05016	1.134	285	445	127	95	80	35	5"-12	
		200	SM05020	1.418	325	525	127	95	80	35	5"-12	
		250	SM05025	1.772	376	626	127	95	80	35	5"-12	
75	713	160	SM07516	1.661	285	445	150	115	90	35	5 3/4"-12	
		330	SM07533	3.426	495	825	150	115	90	35	5 3/4"-12	
100	911	60	SM10006	797	180	240	177	130	110	40	6 7/8"-12	
		150	SM10015	1.991	300	450	177	130	110	40	6 7/8"-12	
		260	SM10026	3.451	449	709	177	130	110	40	6 7/8"-12	
140	1.380	60	SM14006	1.206	190	250	216	160	140	40	8 1/2"-12	
		150	SM14015	3.015	320	470	216	160	140	40	8 1/2"-12	
		260	SM14026	5.226	470	730	216	160	140	40	8 1/2"-12	
220	2.156	150	SM22015	4.710	340	490	250	200	160	40	-	



* SM01002 and SM01502 models are not provided with removable saddles.



Always read the safety instructions.

Performance under Pressure

S/A SPRING RETURN CYLINDERS

	J	K	L	M	N	P	R	S	T	Area	Weight	Model	With tilting saddle	
	mm	mm	mm	UN	mm	mm	UN	mm	mm	cm ²	kg	LARZEP	A	Model
	28	6	25	3/4"-16	6	14	1/4"-20	25	14	7	1,0	SM00502	-	-
	28	6	25	3/4"-16	6	14	1/4"-20	25	14	7	1,5	SM00508	-	-
	28	6	25	3/4"-16	6	14	1/4"-20	25	14	7	1,9	SM00513	-	-
	28	6	25	3/4"-16	6	14	1/4"-20	25	14	7	2,4	SM00518	-	-
	28	6	25	3/4"-16	6	14	1/4"-20	25	14	7	2,8	SM00523	-	-
	32	6	30	*	*	*	5/16"-18	39	12	16	1,8	SM01002	*	*
	32	6	28	1"-8	10	19	5/16"-18	39	12	16	2,4	SM01005	140	AZ0420
	32	6	28	1"-8	10	19	5/16"-18	39	12	16	3,3	SM01010	191	AZ0420
	32	6	28	1"-8	10	19	5/16"-18	39	12	16	4,7	SM01015	266	AZ0420
	32	6	28	1"-8	10	19	5/16"-18	39	12	16	5,7	SM01020	320	AZ0420
	32	6	28	1"-8	10	19	5/16"-18	39	12	16	6,6	SM01025	371	AZ0420
	32	6	28	1"-8	10	19	5/16"-18	39	12	16	7,4	SM01030	421	AZ0420
	32	6	28	1"-8	10	19	5/16"-18	39	12	16	8,4	SM01035	473	AZ0420
	32	8	35	*	*	*	3/8"-16	47	12	24	4,2	SM01502	*	*
	32	8	35	1"-8	8	25	3/8"-16	47	12	24	5,0	SM01505	176	AZ0423
	32	8	35	1"-8	8	25	3/8"-16	47	12	24	6,4	SM01510	226	AZ0423
	32	8	35	1"-8	8	25	3/8"-16	47	12	24	8,5	SM01515	296	AZ0423
	32	8	35	1"-8	8	25	3/8"-16	47	12	24	10,0	SM01520	348	AZ0423
	32	8	35	1"-8	8	25	3/8"-16	47	12	24	11,5	SM01525	400	AZ0423
	32	8	35	1"-8	8	25	3/8"-16	47	12	24	12,8	SM01530	447	AZ0423
	32	8	35	1"-8	8	25	3/8"-16	47	12	24	14,2	SM01535	498	AZ0423
	45	10	45	1 1/2"-16	10	25	1/2"-13	58	19	33	6,0	SM02302	158	AZ0421
	45	10	45	1 1/2"-16	10	25	1/2"-13	58	19	33	7,0	SM02305	184	AZ0421
	45	10	45	1 1/2"-16	10	25	1/2"-13	58	19	33	8,9	SM02310	235	AZ0421
	45	10	45	1 1/2"-16	10	25	1/2"-13	58	19	33	11,2	SM02315	295	AZ0421
	45	10	45	1 1/2"-16	10	25	1/2"-13	58	19	33	13,0	SM02321	345	AZ0421
	45	10	45	1 1/2"-16	10	25	1/2"-13	58	19	33	15,0	SM02326	397	AZ0421
	45	10	45	1 1/2"-16	10	25	1/2"-13	58	19	33	16,9	SM02331	448	AZ0421
	45	10	45	1 1/2"-16	10	25	1/2"-13	58	19	33	18,8	SM02336	498	AZ0421
	48	10	45	1 1/2"-16	10	25	1/2"-13	66	19	44	9,3	SM03006	183	AZ0421
	48	10	45	1 1/2"-16	10	25	1/2"-13	66	19	44	14,6	SM03015	288	AZ0421
	48	10	45	1 1/2"-16	10	25	1/2"-13	66	19	44	18,2	SM03021	358	AZ0421
	55	5	61	-	12	-	1/2"-13	95	19	71	16,4	SM05006	203	AZ0402
	55	5	61	-	12	-	1/2"-13	95	19	71	20,7	SM05010	254	AZ0402
	55	5	61	-	12	-	1/2"-13	95	19	71	25,5	SM05016	312	AZ0402
	55	5	61	-	12	-	1/2"-13	95	19	71	29,0	SM05020	352	AZ0402
	55	5	61	-	12	-	1/2"-13	95	19	71	33,1	SM05025	403	AZ0402
	55	5	61	-	12	-	1/2"-13	95	19	71	40,4	SM05034	492	AZ0402
	55	5	61	-	12	-	3/4"-10	115	19	104	32,0	SM07516	312	AZ0402
	55	5	61	-	12	-	3/4"-10	115	19	104	54,0	SM07533	522	AZ0402
	55	5	88	-	14	-	3/4"-10	139	25	133	32,0	SM10006	213	AZ0404
	55	5	88	-	14	-	3/4"-10	139	25	133	53,0	SM10015	333	AZ0404
	55	5	88	-	14	-	3/4"-10	139	25	133	78,5	SM10026	482	AZ0404
	55	5	88	-	15	-	3/4"-10	165	25	201	52,0	SM14006	222	AZ0404
	55	5	88	-	15	-	3/4"-10	165	25	201	85,7	SM14015	352	AZ0404
	55	5	88	-	15	-	3/4"-10	165	25	201	124,5	SM14026	502	AZ0404
	-	5	111	-	15	-	-	-	-	314	116,5	SM22015	377	AZ0405

SM CYLINDERS