

Performance under Pressure

SPREAD CYLINDERS



Type **CY**

Capacity **0,8 - 1 Tn**

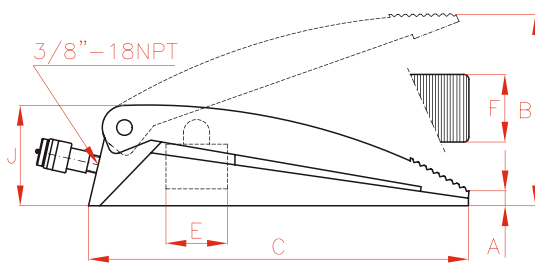
Max. pressure **700 bar**

SPREAD CYLINDERS

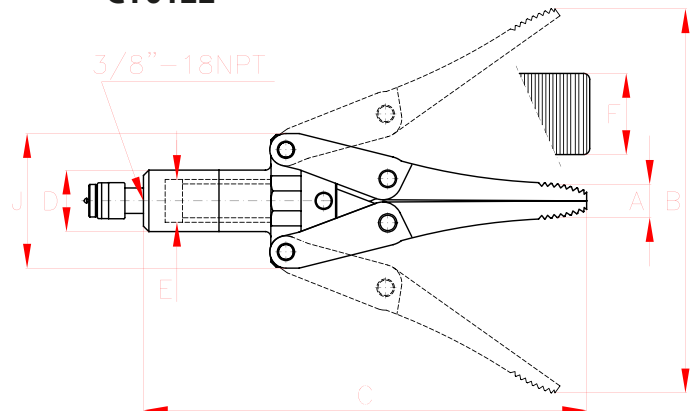


- ✓ CY series spreaders are used for many tasks in confined access situations.
- ✓ CY0109G is used for very confined situations and CY0122 is used for greater spreading distance.
- ✓ CY0109G and CY0122 models are supplied with AZ3140 high flow female couplers.
- ✓ Also available CY0109 and CY0122P fitted with AZ3240 low flow female coupler.

CY0109G



CY0122



Capacity		Stroke	Model	Oil Cap.	Area	A	B	C	D	E	F	J	Weight
Tn	kN	mm	LARZEP	cm ³	cm ²	mm	mm	mm	mm	mm	mm	mm	kg
1	10	75	CY0109G	10	7	15	90	168	-	29	55	55	2
0,8	8	189	CY0122	63	11,3	31	220	382	50	38	50	124	6