



RODAVIGO, S.A.
RODAMIENTOS VIGO, S.A.

www.rodavigo.net

+34 986 288118
Servicio de Att. al Cliente

Easy, it's
ROTAR[®]

Universal but Special High-Performance Joints

Fifty years Company tuned to guarantee the best
JOINTS | SHAFT | E-MOTION TECHNOLOGY





RODAVIGO, S.A.
RODAMIENTOS VIGO, S.A.

www.rodavigo.net

+34 986 288118
Servicio de Att. al Cliente



Easy, it's **ROTAR**®

ROTAR is a worldwide known company focused on Special Joints and Shafts with a stunning reliability and a consistant quality.

With more than 50 years of experince and thousands of satisfied customers, ROTAR is the leading company in motion technology.

ROTAR today adds to its Legacy portfolio, the new High Tech Series which sets the standards to the top making a revolution in the market.



COMPANY
PROFILE



About us

Rotar* was founded in 1960 and since that date, its target was the product quality and the reliability.

Main idea was a totally different way to apply the wellknown Mr. Cardano idea. This plus determined the ROTAR's success.

Today ROTAR is a worldwide known leader in the Universal & Special Joints and Shafts which exports to 85 countries and produces more than 200.000 joints and shafts per year.

Rotar 80% of the turnover is made overseas.

With an everyday work on new technologies and solutions, ROTAR is proud to renew an important part of the mechanic historical solution as the joint is, always with absolutely revolutionary products.

The third Aramini generation, which manages today the company, boosts the renovation of all internal processes such as the production flow to the Kanban Method, the sales approach and the distribution network into a faster response which makes the Rotar even closer to the customers.

Strenghts

Rotar is all trained and focused on:

- **TRACEABILITY** on all item
- **CERTIFIED MATERIAL**
- **CUSTOMIZED ON SPECIFIC DESIGN**
- **FAST DELIVERY**

References

ROTAR has a long experience in all markets possible. Here below some of those:

- Automotive
- Trucks, Heavy and Special Vehicoles
- Automation
- Food Handling Machinery
- Packaging Machines
- Wood Machinery
- Military
- Aerospace
- Conveying
- Cinema Cameras

* Rotar is a brand owned by OFFICINA MECCANICA F.LLI ARAMINI.



Product Portfolio

Legacy

AL Series

Steel Series with the best compromise for cost-ratio. Perfect for medium-low speed and limited transmitted torque.



A Series

Steel Series.

These joints are the result of an handmade careful construction method which reduces to zero the tolerances. This guarantees the BEST PERFORMANCES. A sophisticated grounding technic assures both a perfect axes parallelism and great single elements quality. All the components are hardened, grounded and lapped.



X Series

All Stainless Steel Series AISI 304.

The material quality guarantes Higher Performance allowed to the use in the FOOD and PHARMACEUTICAL INDUSTRY.



V Series

Steel and Stainless Steel Series

HIGH PRECISION CARDAN JOINTS with NEEDLE BEARING. These joints are the result of an handmade careful construction method which reduces to zero the tolerances. This guarantees the BEST PERFORMANCES. A sophisticated grounding technic assures both a perfect axes parallelism and great single elements quality. All the components are hardened, prounded and lapped.



VC Series

High precision cardan joints with cross.



XV Series

A combination between the Stainless Steel X Series with the niddle bearing solution typical of the V Series.



Rolling Balls Shafts

Steel Series

High precision slip shaft with rolling balls. Specifically designed for high temperature and low friction applications.

Hi Performance

ER HY Series

The Easy Rotar HYBRID Series joins the legacy products to the newest HIGH PERFORMANCE ER HT Series. In fact, the internal ball is composed by one of the new patented material to get highest performances such as dust free movement, very high temperature typical of the ER HT Series.



ER HT Series

Based on new raw material (all patented), an entire new family of products suitalbe for several markets. These technical solutions grants foods certifications, dust and maintenance free environment, for medium high to very high temperature never reached by the steel nor stainless stell solutions.





PRODUCT
OVERVIEW

Rotar sets the New Standard in the Joints and Shafts World

LEGACY SERIES

	AL	A	V	VC	X	XV
<i>Available In</i>	STEEL	STEEL	STEEL	STEEL	STAINLESS STEEL	STAINLESS STEEL
<i>Weight</i>	HIGH	HIGH	HIGH	HIGH	HIGH	HIGH
<i>Speed</i>	LOW	MEDIUM	VERY HIGH	VERY HIGH	LOW	VERY HIGH
<i>Torque</i>	HIGH	VERY HIGH	VERY HIGH	VERY HIGH	LOW	HIGH
<i>Available Dimension</i>	ALL	ALL	ALL	from 32-to 63 mm	ALL	ALL
<i>Temperature</i>	MEDIUM	MEDIUM	MEDIUM	MEDIUM	MEDIUM	MEDIUM
<i>Chemical Corrosion Resistance</i>	LOW	LOW	LOW	LOW	MEDIUM	MEDIUM
<i>Autolubricate</i>	NO	NO	NO	NO	NO	NO
<i>Dust Free</i>	NO	NO	NO	NO	NO	NO
<i>Special Diameters, Bores, Set Screw, Key Ways Applicable</i>	YES	YES	YES	YES	YES	YES
<i>Food Certified</i>	NO	NO	NO	NO	NO	NO
<i>Suitable For Food, Pharmaceutical, Clean Room Applications</i>	NO	NO	NO	NO	DEPENDING ON APPLICATION	DEPENDING ON APPLICATION
<i>Suitable For Mechanical Applications</i>	YES	YES	YES	YES	YES	YES
<i>Suitable For Automotive Applications</i>	YES	YES	YES	YES	YES	YES
<i>Shaft Available</i>	YES	YES	YES	YES	YES	YES
<i>Rolling Balls Shaft Available</i>	NO	NO	YES	YES	NO	NO



HI PERFORMANCE SERIES

ER HY		ER HT					
STAINLESS STEELS + R4FI	STEEL + R4TI	R4FI	R4FI-LT	R4TI	R4SI	R4P1	Available In
MEDIUM	MEDIUM	VERY LOW	VERY LOW	VERY LOW	VERY LOW	VERY LOW	Weight
HIGH	HIGH	HIGH	HIGH	HIGH	HIGH	HIGH	Speed
HIGH	HIGH	MEDIUM	LOW	MEDIUM	MEDIUM	LOW	Torque
ALL	ALL	ALL	ALL	ALL	ALL	ALL	Available Dimension
HIGH	HIGH	VERY HIGH	HIGH	VERY HIGH	HIGH	MEDIUM	Temperature
MEDIUM	MEDIUM	VERY HIGH	HIGH	VERY HIGH	HIGH	HIGH	Chemical Corrosion Resistance
YES	YES	YES	YES	YES	YES	YES	Autolubricate
YES	YES	YES	YES	YES	YES	YES	Dust Free
YES	YES	YES	YES	YES	YES	YES	Special Diameters, Bores, Set Screw, Key Ways Applicable
NO	NO	YES	YES	NO	NO	NO	Food Certified
DEPENDING ON APPLICATION	NO	YES	YES	DEPENDING ON APPLICATION	DEPENDING ON APPLICATION	DEPENDING ON APPLICATION	Suitable For Food, Pharmaceutical, Clean Room Applications
YES	YES	YES	YES	YES	YES	YES	Suitable For Mechanical Applications
YES	YES	YES	YES	YES	YES	YES	Suitable For Automotive Applications
NO	NO	YES	YES	YES	YES	YES	Shaft Available
NO	NO	NO	NO	NO	NO	NO	Rolling Balls Shaft Available



ER-HY SERIES

ER-HY Series

The **Easy Rotar HYBRID Series** joins the legacy products to the newest HIGH PERFORMANCE ER HT Series. In this Series, the internal ball is always made by the new patented material in order to get highest performances in those applications where the Legacy products meet their natural limits such as the very high temperature, the problem caused by the dust generated during the regular appliance, the restriction to work in some food environments and so on.

The ER-HY Series includes the following versions:

- **Stainless Steel + R4FI (SS+R4FI).**
- **Steel + R4TI (S+R4TI).**

Stainless Steel + R4FI Strenghts



This Version combines the hardness of the Stainless Steel and the Patented High Performance of the R4FI. The combination is a goal for all food packaging system manufactures who needs to handle heavy weights having guaranteed a dust free environment.

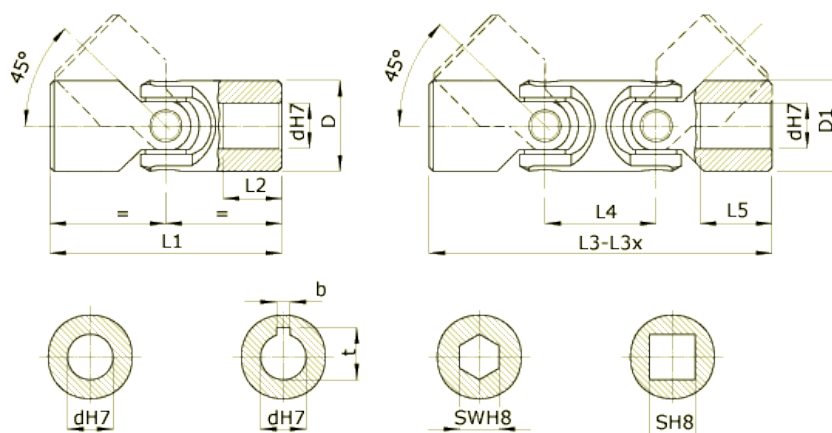
This solution grants an applicable very high torque.
Available in the Double Joint Version.

Steel + R4TI Strenghts



This Version combines the Steel and the Patented High Performance **CARBON FIBRE R4TI**. The combination is a goal for all manufactures who needs to handle heavy weights assuring a dust free environment.

This solution grants an applicable very high torque.
Available in the Double Joint Version.



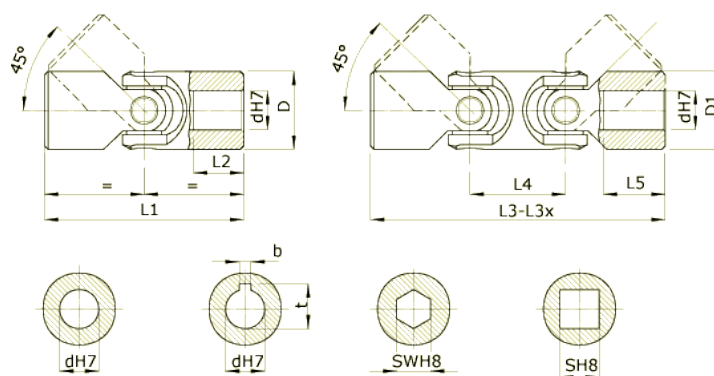
All models in the table are available in SS+R4FI and S+R4TI

SINGLE JOINTS						BORES ON REQUEST					
TYPE	dh7	D	L1	L2	dh7	D	L1	L2	L1X	L2X	
100HY	5	10	40	13	-	-	-	-	-	-	
101HY	6	13	40	13	-	-	-	-	-	-	
102HY	8	16	40	10	-	-	-	-	-	-	
103HY	10	20	45	10	12	22	50	12	48	62	
104HY	12	25	50	11	14	25	56	14	56	74	
105HY	14	29	56	13	16	29	65	17	60	74	
106HY	16	32	65	15	18	32	72	18	68	86	
107HY	18	37	72	17	20	37	82	22	74	-	
108HY	20	40	82	19	22	40	95	25	108	-	
109HY	22	47	95	22	25	45	108	28	-	-	
110HY	25	50	108	27	30	50	122	34	105	132	
111HY	30	58	122	30	35	58	140	39	166	-	

DOUBLE JOINTS								BORES ON REQUEST				
TYPE	dh7	D1	L3	L3x	L4	L5	dh7	b	t	SH8	SWH8	
-	-	-	-	-	-	-	-	-	-	-	5	
101HYD	6	13	63	-	23	13	-	-	-	6	-	
102HYD	8	16	67	-	27	10	-	2	9	8	8	
103HYD	10	20	74	-	29	10	12	3	11,4	10	10	
104HYD	12	22	74	86	29	11	16	4	13,8	12	12	
105HYD	14	25	85	95	33	13	-	5	16,3	14	14	
106HYD	16	29	100	104	35	19	20	5	18,3	16	16	
107HYD	18	32	112	114	39	20	-	6	20,8	18	18	
108HYD	20	40	128	127	46	19	25	6	22,8	20	20	
109HYD	22	40	145	-	46	25	-	6	24,8	22	22	
110HYD	25	50	163	-	59	24	-	8	28,3	25	25	
111HYD	30	58	182	-	66	30	-	8	33,3	30	30	

Single Joints with Quick Release

Available standard dimensions. Others on request.
Stainless Steel solution X5Cr



TIPO	d	D	l1	l2	B	E/F	s	sw	bxt
125HY	10	22	45	10	40	11/14	10	10	3x11,4
126HY	12	25	50	11	45	13/16	12	12	4x13,8
127HY	14	29	56	13	45	13/16	14	14	5x16,3
128HY	16	32	65	15	45	16/20	16	16	5x18,3
129HY	18	37	72	17	45	16/20	18	18	6x20,8
130HY	20	40	82	19	45	18/22	20	20	6x22,8
131HY	22	47	95	22	48	21/25	22	22	6x24,8
132HY	25	50	108	27	48	23/28	25	25	8x28,3
133HY	30	58	122	30	50	26/32	30	30	8x33,8
133HY	30	58	122	30	50	26/32	30	30	8x33,8



ER-HT SERIES

ER-HT Series

ROTAR's R&D took a long time to study such a great and wide possible solution products such as the ER-HT Series. The development involved chemists with a long experience in High Technocology Compounds which are even today something related to the future.

Rotar invested time, energy and belief in an innovative key that will move the Joints Application World in a fast forward step, in a totally new market which is today not yet investigated.

In Rotar, we think a bit out of the box, otherwise it would be difficult to understand why we are still believing that the Quality is a value in which we believe so strongly, and would be impossible to understand why we worked so hard to make the best, even better presenting to the market an innovation like the one which is contained, in its technical beauty, in the ER-HT Series.

There are many opportunities which remain today without answers. ER-HT Series responds to all these requests and does it with technology, innovation and quality.

Based on new raw material (all patented), the Series of products is suitable for several markets. These technical solutions grants foods certifications, dust and maintenance free environment, for medium high to very high temperature never reached until today by the steel nor stainless steel solutions. With a 20% of the Stainless Steel weight, the ER-HT Series is the perfect solution for all applications which need a light and smart idea.

All these new compounds have been developed in cooperation with a top world chemical company.

The ER-HT Series includes the following versions:

- R4FI
- R4TI-LT
- R4TI
- R4SI
- R4P1

R4FI Strengths



This new Series is proudly made with patented material called R4FI.

The R4FI (an owned mix based on the well known Polyether Ether Ketone) allows the direct handling and contact of food in accordance with the principles of good manufacturing practice in such a way that they do not give off any of their constituent parts to the food under normal or foreseeable conditions which could pose a threat to human health.

This stipulation is defined in food regulatory standards and safeguarded by means of tests, controls and stipulations. Significant institutions in this field are the FDA (Food and Drug Administration) in the USA, the BfR (Federal Institute for Risk Assessment) in Germany and the EFSA (European Food Safety Authority) for the EU.

It means that the new R4FI complies with the BfR, FDA or EU standard and are consequently compliant with food regulations and may be used in direct contact with food.

Some techs specs.

- > DUST FREE
- > Maintenance free (no lubrication needed)
- > Very High Chemical Corrosion Resistance
- > Max speed: 2000 RPM
- > Temperature range: -60 up to 250° C, with peak up to 300° C
- > Available in the Double Joint Version.
- > Applicable torque depending on the avg working Temperature, Speed and working angle.

R4FI-LT Strenghts



The R4FI-LT version is an High Performance Solution for those applications which need to satisfy the same criteria of the R4FI except the Very High Working Temperature.

Some techs specs.

- > DUST FREE
- > Maintenance free (no lubrication needed)
- > High Chemical Corrosion Resistance
- > Max speed: 2000 RPM
- > Temperature range: up to 150° C
- > Available in the Double Joint Version.
- > Applicable torque depending on the avg working Temperature, Speed and working angle.
For further info, please provide all this information.

R4TI Strenghts



R4TI is a product developed for the Top Industries which are seeking for the best performance in the motion technology in a very light material. The **Carbon Fiber** is an add on which adds roboustness, solid response to torsion, traction even in a very light product. This solution grants an applicable very high torque.

Some techs specs.

- > DUST FREE
- > Maintenance free (no lubrication needed)
- > Very High Chemical Corrosion Resistance
- > Max speed: 2000 RPM
- > Temperature range: up to 150° C
- > Available in the Double Joint Version.
- > Applicable torque depending on the avg working Temperature, Speed and working angle.
For further info, please provide all this information.

R4SI Strenghts



R4SI has been developed for all industries which are searching for a reliable solution which contains **Fiber Glass** as the add on.

Some techs specs.

- > DUST FREE
- > Maintenance free (no lubrication needed)
- > High Chemical Corrosion Resistance
- > Max speed: 2000 RPM
- > Temperature range: up to 150° C
- > Available in the Double Joint Version.
- > Applicable torque depending on the avg working Temperature, Speed and working angle.
For further info, please provide all this information.

R4P1 Strenghts



R4SI has been developed for all industries which are searching the best compromise to between High Performance and cost. The high product quality allow to be applied in a very wide range of applications.

Some techs specs.

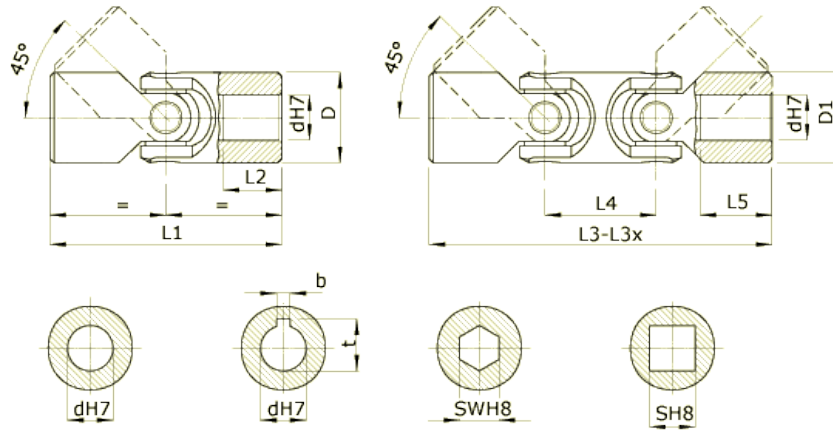
- > DUST FREE
- > Maintenance free (no lubrication needed)
- > Very High Chemical Corrosion Resistance
- > Max speed: 2000 RPM
- > Temperature range: up to 60° C
- > Available in the Double Joint Version.
- > Applicable torque depending on the avg working Temperature, Speed and working angle.
For further info, please provide all this information.



ER-HT SERIES

Single Joints

Available standard dimensions.
Others on request.



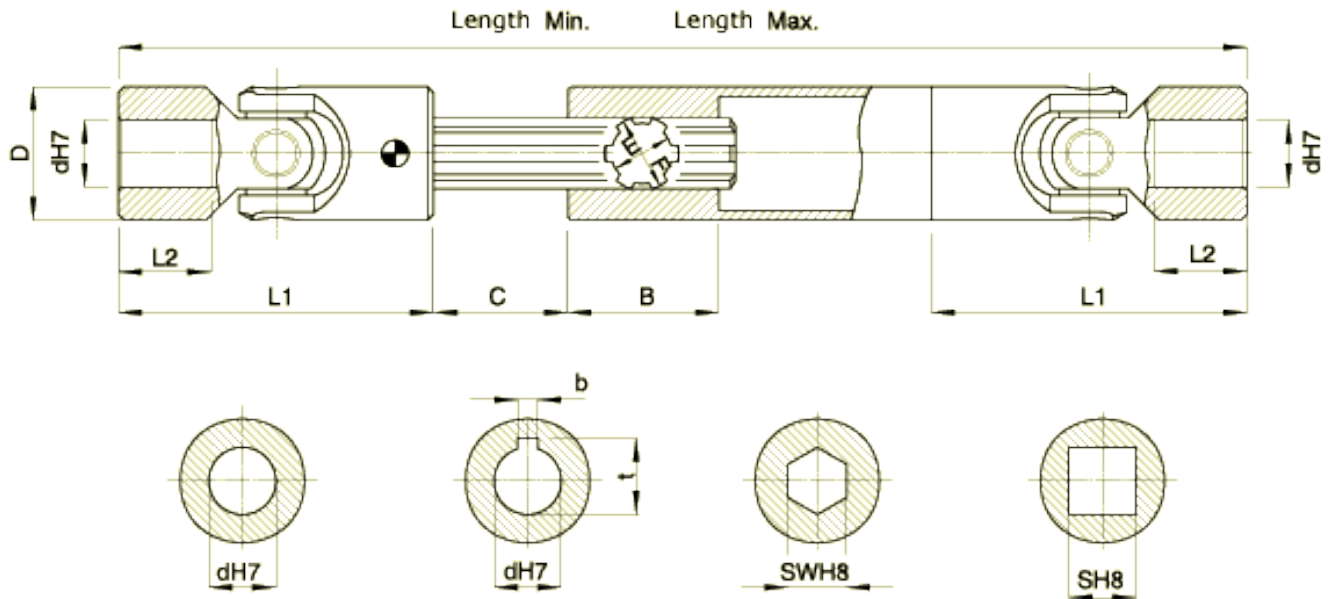
All models in the table are available in R4FI, R4FI-LT, R4TI, R4SI and R4P1

SINGLE JOINTS				BORES ON REQUEST						
TYPE	dh7	D	L1	L2	dh7	D	L1	L2	L1X	L2X
100HT	5	10	40	13	-	-	-	-	-	-
101HT	6	13	40	13	-	-	-	-	-	-
102HT	8	16	40	10	-	-	-	-	-	-
103HT	10	20	45	10	12	22	50	12	48	62
104HT	12	25	50	11	14	25	56	14	56	74
105HT	14	29	56	13	16	29	65	17	60	74
106HT	16	32	65	15	18	32	72	18	68	86
107HT	18	37	72	17	20	37	82	22	74	-
108HT	20	40	82	19	22	40	95	25	108	-
109HT	22	47	95	22	25	45	108	28	-	-
110HT	25	50	108	27	30	50	122	34	105	132
111HT	30	58	122	30	35	58	140	39	166	-

DOUBLE JOINTS							BORES ON REQUEST				
TYPE	dh7	D1	L3	L3x	L4	L5	dh7	b	t	SH8	SWH8
-	-	-	-	-	-	-	-	-	-	-	5
101HTD	6	13	63	-	23	13	-	-	-	6	-
102HTD	8	16	67	-	27	10	-	2	9	8	8
103HTD	10	20	74	-	29	10	12	3	11,4	10	10
104HTD	12	22	74	86	29	11	16	4	13,8	12	12
105HTD	14	25	85	95	33	13	-	5	16,3	14	14
106HTD	16	29	100	104	35	19	20	5	18,3	16	16
107HTD	18	32	112	114	39	20	-	6	20,8	18	18
108HTD	20	40	128	127	46	19	25	6	22,8	20	20
109HTD	22	40	145	-	46	25	-	6	24,8	22	22
110HTD	25	50	163	-	59	24	-	8	28,3	25	25
111HTD	30	58	182	-	66	30	-	8	33,3	30	30

Slip Shafts with ER-HT Series Joints

Available standard dimensions. Others on request.



TYPE	MIN LENGTH	MAX LENGTH	KEYWAY	QTY	dh7	D	L1	L2	B	bxt	E	F	STROKE
125HT	130	150	BT	2	10,00	22,00	45,00	10,00	40,00	3 X 11,4	11	14	20
125HT	140	170	BT	2	10,00	22,00	45,00	10,00	40,00	3 X 11,4	11	14	30
125HT	160	200	BT	2	10,00	22,00	45,00	10,00	40,00	3 X 11,4	11	14	40
125HT	170	230	BT	2	10,00	22,00	45,00	10,00	40,00	3 X 11,4	11	14	60
125HT	1080	240	BT	2	10,00	22,00	45,00	10,00	40,00	3 X 11,4	11	14	60
125HT	230	330	BT	2	10,00	22,00	45,00	10,00	40,00	3 X 11,4	11	14	100
126HT	140	170	BT	2	12,00	25,00	50,00	11,00	45,00	4 X 13,8	13	16	30
126HT	160	200	BT	2	12,00	25,00	50,00	11,00	45,00	4 X 13,8	13	16	40
126HT	180	225	BT	2	12,00	25,00	50,00	11,00	45,00	4 X 13,8	13	16	45
126HT	200	270	BT	2	12,00	25,00	50,00	11,00	45,00	4 X 13,8	13	16	70
126HT	220	300	BT	2	12,00	25,00	50,00	11,00	45,00	4 X 13,8	13	16	80
126HT	250	355	BT	2	12,00	25,00	50,00	11,00	45,00	4 X 13,8	13	16	105
126HT	280	420	BT	2	12,00	25,00	50,00	11,00	45,00	4 X 13,8	13	16	140
126HT	300	450	BT	2	12,00	25,00	50,00	11,00	45,00	4 X 13,8	13	16	150
127HT	160	190	BT	2	14,00	29,00	56,00	13,00	45,00	5 X 16,3	13	16	30
127HT	170	200	BT	2	14,00	29,00	56,00	13,00	45,00	5 X 16,3	13	16	30
127HT	180	220	BT	2	14,00	29,00	56,00	13,00	45,00	5 X 16,3	13	16	40
127HT	200	260	BT	2	14,00	29,00	56,00	13,00	45,00	5 X 16,3	13	16	60
127HT	210	280	BT	2	14,00	29,00	56,00	13,00	45,00	5 X 16,3	13	16	70
127HT	220	300	BT	2	14,00	29,00	56,00	13,00	45,00	5 X 16,3	13	16	80
127HT	250	350	BT	2	14,00	29,00	56,00	13,00	45,00	5 X 16,3	13	16	100
127HT	280	420	BT	2	14,00	29,00	56,00	13,00	45,00	5 X 16,3	13	16	140
127HT	300	450	BT	2	14,00	29,00	56,00	13,00	45,00	5 X 16,3	13	16	150
127HT	350	550	BT	2	14,00	29,00	56,00	13,00	45,00	5 X 16,3	13	16	200



ER-HT SERIES

127HT	400	650	BT	2	14,00	29,00	56,00	13,00	45,00	5 X 16,3	13	16	250
128HT	180	210	BT	2	16,00	32,00	65,00	15,00	45,00	5 x 18,3	16	20	30
128HT	190	220	BT	2	16,00	32,00	65,00	15,00	45,00	5 x 18,3	16	20	30
128HT	210	250	BT	2	16,00	32,00	65,00	15,00	45,00	5 x 18,3	16	20	40
128HT	240	320	BT	2	16,00	32,00	65,00	15,00	45,00	5 x 18,3	16	20	80
128HT	250	350	BT	2	16,00	32,00	65,00	15,00	45,00	5 x 18,3	16	20	100
128HT	275	390	BT	2	16,00	32,00	65,00	15,00	45,00	5 x 18,3	16	20	115
128HT	300	430	BT	2	16,00	32,00	65,00	15,00	45,00	5 x 18,3	16	20	130
128HT	380	590	BT	2	16,00	32,00	65,00	15,00	45,00	5 x 18,3	16	20	210
128HT	400	630	BT	2	16,00	32,00	65,00	15,00	45,00	5 x 18,3	16	20	230
129HT	195	225	BT	2	18,00	37,00	72,00	17,00	45,00	6 x 20,8	16	20	30
129HT	230	280	BT	2	18,00	37,00	72,00	17,00	45,00	6 x 20,8	16	20	50
129HT	250	320	BT	2	18,00	37,00	72,00	17,00	45,00	6 x 20,8	16	20	70
129HT	270	370	BT	2	18,00	37,00	72,00	17,00	45,00	6 x 20,8	16	20	100
129HT	290	400	BT	2	18,00	37,00	72,00	17,00	45,00	6 x 20,8	16	20	110
129HT	300	415	BT	2	18,00	37,00	72,00	17,00	45,00	6 x 20,8	16	20	115
129HT	400	620	BT	2	18,00	37,00	72,00	17,00	45,00	6 x 20,8	16	20	220
129HT	500	820	BT	2	18,00	37,00	72,00	17,00	45,00	6 x 20,8	16	20	320
130HT	220	250	BT	2	20,00	40,00	82,00	19,00	45,00	6 x 22,8	18	22	30
130HT	250	300	BT	2	20,00	40,00	82,00	19,00	45,00	6 x 22,8	18	22	50
130H	270	340	BT	2	20,00	40,00	82,00	19,00	45,00	6 x 22,8	18	22	70
130HT	290	380	BT	2	20,00	40,00	82,00	19,00	45,00	6 x 22,8	18	22	90
130HT	320	440	BT	2	20,00	40,00	82,00	19,00	45,00	6 x 22,8	18	22	120
130HT	380	560	BT	2	20,00	40,00	82,00	19,00	45,00	6 x 22,8	18	22	180
130HT	420	640	BT	2	20,00	40,00	82,00	19,00	45,00	6 x 22,8	18	22	220
130HT	500	800	BT	2	20,00	40,00	82,00	19,00	45,00	6 x 22,8	18	22	300
131HT	250	280	BT	2	22,00	47,00	95,00	22,00	48,00	6 x 24,8	21	25	30
131HT	270	320	BT	2	22,00	47,00	95,00	22,00	48,00	6 x 24,8	21	25	50
131HT	290	350	BT	2	22,00	47,00	95,00	22,00	48,00	6 x 24,8	21	25	60
131HT	330	430	BT	2	22,00	47,00	95,00	22,00	48,00	6 x 24,8	21	25	100
131HT	350	470	BT	2	22,00	47,00	95,00	22,00	48,00	6 x 24,8	21	25	120
131HT	470	710	BT	2	22,00	47,00	95,00	22,00	48,00	6 x 24,8	21	25	240
132HT	270	320	BT	2	25,00	50,00	108,00	26,00	48,00	8 x 28,3	23	28	50
132HT	295	350	BT	2	25,00	50,00	108,00	26,00	48,00	8 x 28,3	23	28	55
132HT	310	375	BT	2	25,00	50,00	108,00	26,00	48,00	8 x 28,3	23	28	65
132HT	350	450	BT	2	25,00	50,00	108,00	26,00	48,00	8 x 28,3	23	28	100
132HT	380	500	BT	2	25,00	50,00	108,00	26,00	48,00	8 x 28,3	23	28	120
132HT	420	590	BT	2	25,00	50,00	108,00	26,00	48,00	8 x 28,3	23	28	170
132HT	460	660	BT	2	25,00	50,00	108,00	26,00	48,00	8 x 28,3	23	28	200
132HT	500	745	BT	2	25,00	50,00	108,00	26,00	48,00	8 x 28,3	23	28	245
133HT	320	390	BT	2	30,00	58,00	122,00	30,00	50,00	8 x 33,3	26	32	70
133HT	350	420	BT	2	30,00	58,00	122,00	30,00	50,00	8 x 33,3	26	32	70
133HT	370	455	BT	2	30,00	58,00	122,00	30,00	50,00	8 x 33,3	26	32	85
133HT	400	510	BT	2	30,00	58,00	122,00	30,00	50,00	8 x 33,3	26	32	110
133HT	450	620	BT	2	30,00	58,00	122,00	30,00	50,00	8 x 33,3	26	32	170
133HT	500	720	BT	2	30,00	58,00	122,00	30,00	50,00	8 x 33,3	26	32	220
133HT	540	795	BT	2	30,00	58,00	122,00	30,00	50,00	8 x 33,3	26	32	255
134HT			BT	2	35,00	70,00	140,00	35,00	50,00				ON RE- QUEST
135HT			BT	2	40,00	80,00	160,00	42,00	50,00				ON RE- QUEST
136HT			BT	2	50,00	95,00	190,00	54,00	50,00				ON RE- QUEST



RODAVIGO, S.A.
RODAMIENTOS VIGO, S.A.

www.rodavigo.net

+34 986 288118
Servicio de Att. al Cliente



RODAVIGO, S.A.
RODAMIENTOS VIGO, S.A.

www.rodavigo.net

+34 986 288118
Servicio de Att. al Cliente

ROTAR is a brand owned by
OFFICINA MECCANICA F.LLI ARAMINI

