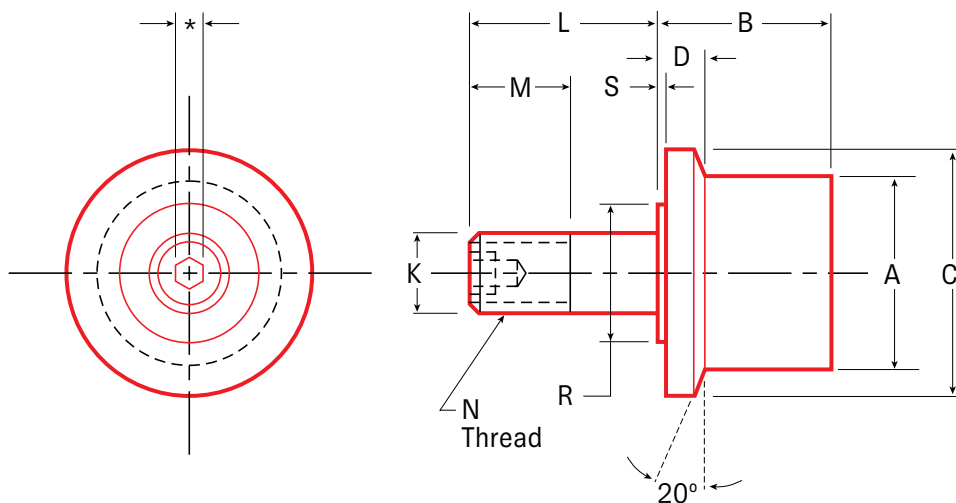


# LOAD RUNNERS

## Flanged - Concentric Stud Style, Inch Sizes



For metric sizes, please turn to page 32

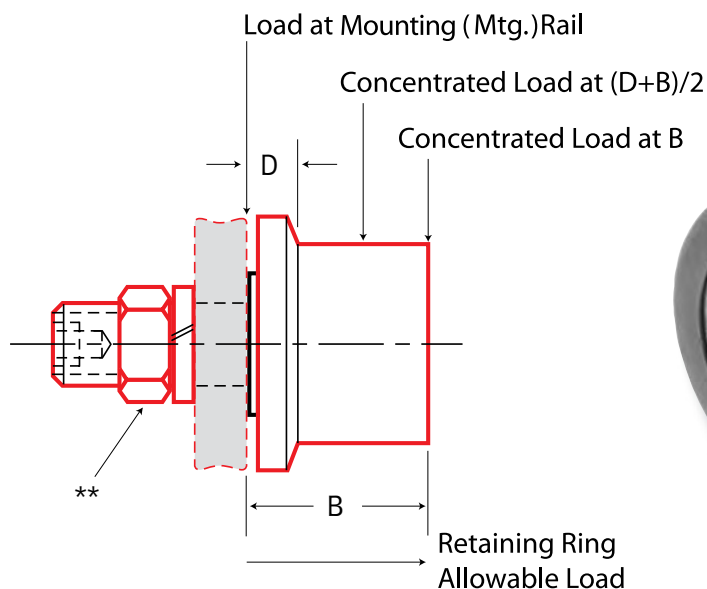
Part No.	Item No.	A	B	C	D	K	L	M	N	R	S	Rec. Mtg. Hole Size
		Roller Dia	Roller Width	Flange Dia	Flange Thickness	Stud Dia	Stud Length	Thread Length	Thread	Shoulder Dia	Shoulder Length	
FLR-1	97326	1.000	0.781	1.375	0.219	0.437	1.000	0.500	7/16-20	0.500	0.031	0.438
FLR-1-1/8	97327	1.125	0.781	1.500	0.219	0.437	1.000	0.500	7/16-20	0.500	0.031	0.438
FLR-1-1/4	97328	1.250	0.844	1.563	0.219	0.500	1.250	0.625	1/2-20	0.625	0.031	0.501
FLR-1-3/8	97329	1.375	0.844	1.688	0.219	0.500	1.250	0.625	1/2-20	0.625	0.031	0.501
FLR-1-1/2	95445	1.500	1.188	2.188	0.343	0.625	1.500	0.750	5/8-18	0.750	0.062	0.626
FLR-1-1/2-2	95446	1.500	1.063	2.000	0.343	0.500	1.375	0.750	1/2-20	0.625	0.125	0.501
FLR-1-3/4	95472	1.750	1.188	2.438	0.343	0.750	1.750	0.875	3/4-16	1.000	0.062	0.751
FLR-2	95482	2.000	1.688	2.688	0.593	0.875	2.000	1.125	7/8-14	1.000	0.062	0.876
FLR-2-1/4	95498	2.250	1.688	2.938	0.593	0.875	2.000	1.125	7/8-14	1.000	0.062	0.876
FLR-2-1/2	95502	2.500	1.688	3.188	0.593	1.000	2.250	1.500	1-14	1.250	0.062	1.001
FLR-2-1/2-1	95503	2.500	1.812	3.188	0.593	1.000	2.250	1.500	1-14	1.250	0.062	1.001
FLR-2-3/4	95515	2.750	1.688	3.438	0.593	1.000	2.250	1.500	1-14	1.250	0.062	1.001
FLR-3	95520	3.000	2.000	3.938	0.593	1.250	2.500	1.750	1-1/4-12	1.750	0.062	1.251
FLR-3-1/4	95555	3.250	2.000	4.188	0.593	1.250	2.500	1.750	1-1/4-12	1.750	0.062	1.251
FLR-3-1/2	95558	3.500	2.000	4.438	0.593	1.250	2.750	1.750	1-1/4-12	1.750	0.062	1.251
FLR-4	95562	4.000	2.000	4.938	0.593	1.250	2.750	1.750	1-1/4-12	1.750	0.062	1.251
FLR-4M	95567	4.000	2.000	4.938	1.000	1.250	2.750	1.750	1-1/4-12	1.750	0.062	1.251
FLR-4-1/2	95591	4.500	2.000	5.438	0.593	1.250	2.750	1.750	1-1/4-12	1.750	0.062	1.251
FLR-5	95601	5.000	3.000	5.938	0.718	2.000	4.500	2.500	2-12	3.250	0.062	2.001
FLR-6	95625	6.000	3.000	6.938	0.718	2.500	5.500	3.250	2-1/2-12	3.250	0.062	2.501
FLR-7	95640	7.000	3.000	7.938	0.718	2.500	5.500	3.250	2-1/2-12	3.250	0.062	2.501
FLR-8	95641	8.000	3.000	8.938	0.718	2.500	5.500	3.250	2-1/2-12	3.250	0.062	2.501

Other sizes available upon request.

\*Refer to stud hex socket size and INSTALLATION NOTES on pages 87-89.

\*\*Lock washer and jam nut available, for size see N dimension.

For special features and custom design considerations, see page 7.



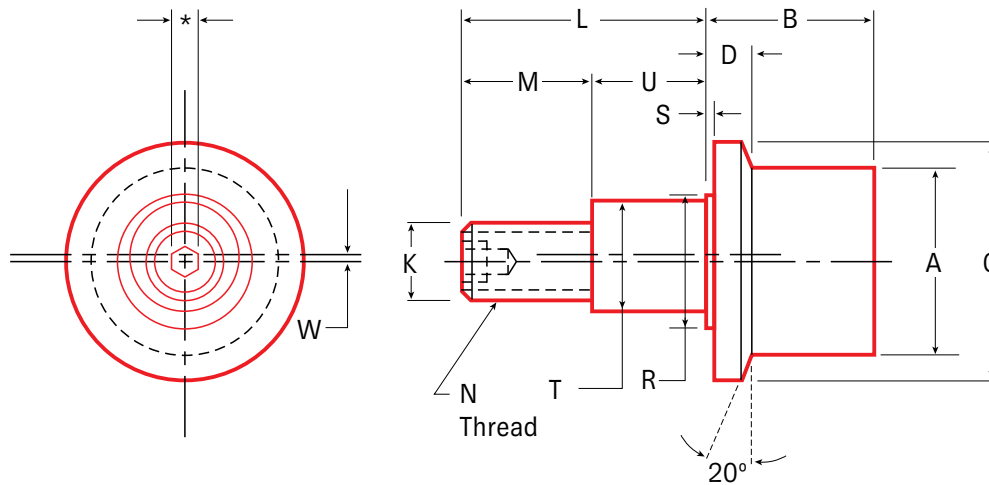
	Mounting Member Thickness		Ball or Tapered Roller Bearings	Bearing Capacity Radial Load (lbs)			Bearing Capacity, Static Thrust (lbs)	Stud Capacity (lbs)			Retaining Ring Capacity (lbs)	Approx Weight (lbs)	Part No.
	Max	Min		3000 hrs L10 life @ 100 RPM	500 hrs L10 life @ 33 1/3 RPM	Static Limit		Bending=0.75 Sy		Shear=0.75 x 0.5 x Sy			
								Concent. Load @ (D+B)/2	Concent. Load @ B				
0.625	0.500	BB	240	630	230	140	370	210	1970	380	0.3	<b>FLR-1</b>	
0.625	0.500	BB	240	630	230	140	370	210	1970	380	0.3	<b>FLR-1-1/8</b>	
0.750	0.625	BB	520	1350	600	370	710	390	3250	470	0.4	<b>FLR-1-1/4</b>	
0.750	0.625	BB	520	1350	600	370	710	390	3250	470	0.4	<b>FLR-1-3/8</b>	
1.000	0.750	BB	1050	2760	1100	680	1100	650	5780	470	0.6	<b>FLR-1-1/2</b>	
1.000	0.750	BB	930	2430	970	600	700	420	4020	470	0.5	<b>FLR-1-1/2-2</b>	
1.125	0.875	BB	1050	2760	1100	680	1100	650	5780	470	1.0	<b>FLR-1-3/4</b>	
1.250	0.875	BB	1460	3830	1620	1000	2640	1500	11610	910	1.8	<b>FLR-2</b>	
1.250	0.875	BB	1460	3830	1620	1000	2640	1500	11610	910	2.1	<b>FLR-2-1/4</b>	
1.250	0.750	BB	1980	5190	2270	1400	2780	1770	14580	1340	2.8	<b>FLR-2-1/2</b>	
1.250	0.750	TRB	4570	10890	7630	4570	5460	3580	25920	N/A	2.8	<b>FLR-2-1/2-1</b>	
1.250	0.750	BB	1980	5190	2270	1400	2780	1770	14580	1340	3.2	<b>FLR-2-3/4</b>	
1.250	1.000	TRB	6000	14270	20000	12000	9880	6330	40500	N/A	4.7	<b>FLR-3</b>	
1.250	1.000	TRB	6000	14270	20000	12000	9880	6330	40500	N/A	5.3	<b>FLR-3-1/4</b>	
1.250	1.000	TRB	6000	14270	20000	12000	9880	6330	40500	N/A	6.2	<b>FLR-3-1/2</b>	
1.250	1.000	TRB	6000	14270	20000	12000	9880	6330	40500	N/A	7.9	<b>FLR-4</b>	
1.250	1.000	TRB	6000	14270	20000	12000	8530	6330	40500	N/A	8.1	<b>FLR-4M</b>	
1.250	1.000	TRB	6000	14270	20000	12000	9880	6330	40500	N/A	9.9	<b>FLR-4-1/2</b>	
2.750	2.000	TRB	13990	33290	51900	32500	28300	17350	103670	N/A	18.5	<b>FLR-5</b>	
3.250	2.000	TRB	15060	35840	56400	33100	55320	33910	161990	N/A	29.5	<b>FLR-6</b>	
3.250	2.000	TRB	15060	35840	56400	33100	55320	33910	161990	N/A	38.0	<b>FLR-7</b>	
3.250	2.000	TRB	15060	35840	56400	33100	55320	33910	161990	N/A	46.0	<b>FLR-8</b>	

LOAD CAPACITIES ARE BASED ON UNIFORM AND STEADY LOADING.  
1 kg = 9,81 N = 2,21 lbs



# LOAD RUNNERS

## Flanged - Eccentric Stud Style - Inch Sizes



For metric sizes, please turn to page 34

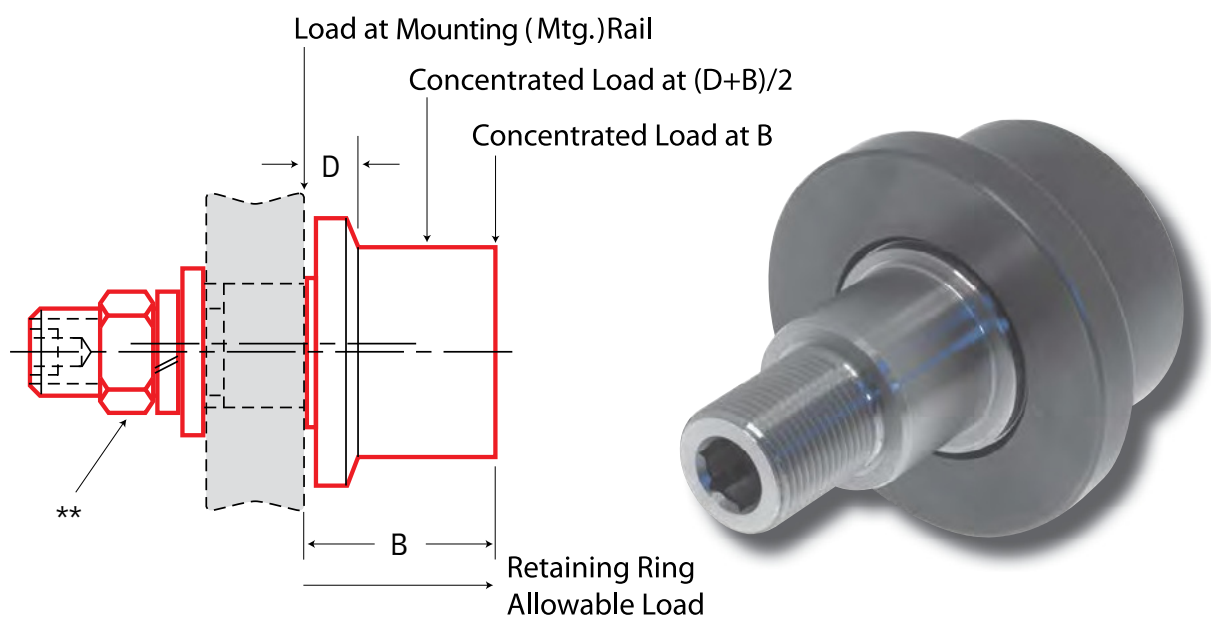
Part No.	Item No.	A	B	C	D	K	L	M	N	R	S	T	U	W
		Roller Dia	Roller Width	Flange Dia	Flange Thickness	Stud Dia	Stud Length	Thread Length	Thread	Shoulder Dia	Shoulder Length	Eccentric Dia	Eccentric Length	
FLRE-1	97330	1.000	0.781	1.375	0.219	0.437	1.000	0.500	7/16-20	0.750	0.031	0.625	0.500	0.030
FLRE-1-1/8	97331	1.125	0.781	1.500	0.219	0.437	1.000	0.500	7/16-20	0.750	0.031	0.625	0.500	0.030
FLRE-1-1/4	97332	1.250	0.844	1.563	0.219	0.500	1.250	0.625	1/2-20	0.812	0.031	0.687	0.625	0.030
FLRE-1-3/8	97333	1.375	0.844	1.688	0.219	0.500	1.250	0.625	1/2-20	0.812	0.031	0.687	0.625	0.030
FLRE-1-1/2	95917	1.500	1.187	2.188	0.343	0.625	1.500	0.770	5/8-18	1.125	0.062	0.875	0.730	0.030
FLRE-1-3/4	95922	1.750	1.187	2.438	0.343	0.750	1.750	0.895	3/4-16	1.240	0.062	1.000	0.855	0.030
FLRE-2	95924	2.000	1.688	2.688	0.593	0.875	2.000	1.020	7/8-14	1.500	0.062	1.187	0.980	0.030
FLRE-2-1/4	95927	2.250	1.688	2.938	0.593	0.875	2.000	1.020	7/8-14	1.500	0.062	1.187	0.980	0.030
FLRE-2-1/2	95928	2.500	1.688	3.188	0.593	1.000	2.250	1.145	1-14	1.687	0.062	1.375	1.105	0.030
FLRE-2-1/2-4	97604	2.500	1.812	3.188	0.593	1.000	2.250	1.145	1-14	1.687	0.062	1.375	1.105	0.030
FLRE-2-3/4	95931	2.750	1.688	3.438	0.593	1.000	2.250	1.145	1-14	1.687	0.062	1.375	1.105	0.030
FLRE-3	95932	3.000	2.000	3.938	0.593	1.250	2.500	1.270	1 1/4-12	2.312	0.062	1.750	1.230	0.060
FLRE-3-1/4	95939	3.250	2.000	4.188	0.593	1.250	2.500	1.270	1 1/4-12	2.312	0.062	1.750	1.230	0.060
FLRE-3-1/2	95940	3.500	2.000	4.438	0.593	1.250	2.750	1.395	1 1/4-12	2.312	0.062	1.812	1.355	0.060
FLRE-4	95941	4.000	2.000	4.938	0.593	1.250	2.750	1.395	1 1/4-12	2.312	0.062	1.812	1.355	0.060
FLRE-4-1/2	95946	4.500	2.000	5.438	0.593	1.250	2.750	1.395	1 1/4-12	2.312	0.062	1.812	1.355	0.060
FLRE-5	95948	5.000	3.000	5.938	0.718	2.000	4.500	2.375	2-12	3.250	0.062	2.625	2.125	0.060
FLRE-6	95949	6.000	3.000	6.938	0.718	2.500	5.500	2.625	2-1/2-12	3.625	0.062	3.125	2.875	0.060

Other sizes available upon request.

\*Refer to stud hex socket size and INSTALLATION NOTES on pages 87-89.

\*\*Lock washer and jam nut available, for size see N dimension.

For special features and custom design considerations, see page 7.



	Rec. Mtg. Hole Size	Mounting Member Thickness		Ball or Tapered Roller Bearings	Bearing Capacity Radial Load (lbs)			Bearing Capacity, Static Thrust (lbs)	Stud Capacity (lbs)			Retaining Ring Capacity (lbs)	Approx Weight (lbs)	Part No.	
		+0.001 -0.000	Max		Min	3000 hrs L10 life @ 100 RPM	500 hrs L10 life @ 33-1/3 RPM		Static Limit	Bending=0.75 Sy					Shear= 0.75 x 0.5 x Sy
										Concent. Load @ (D+B)/2	Concent. Load @B				
	0.627	0.625	0.500	BB	240	630	230	140	350	200	1970	380	0.3	<b>FLRE-1</b>	
	0.627	0.625	0.500	BB	240	630	230	140	360	210	1970	380	0.4	<b>FLRE-1-1/8</b>	
	0.689	0.750	0.625	BB	520	1350	600	370	710	390	3250	470	0.4	<b>FLRE-1-1/4</b>	
	0.689	0.750	0.625	BB	520	1350	600	370	710	390	3250	470	0.5	<b>FLRE-1-3/8</b>	
	0.877	0.875	0.750	BB	1050	2760	1100	680	1100	650	5780	470	0.8	<b>FLRE-1-1/2</b>	
	1.002	1.000	0.875	BB	1050	2760	1100	680	1130	650	5780	470	1.1	<b>FLRE-1-3/4</b>	
	1.189	1.125	1.000	BB	1460	3830	1620	1000	2640	1500	11610	910	2.1	<b>FLRE-2</b>	
	1.189	1.125	1.000	BB	1460	3830	1620	1000	2640	1500	11610	910	2.5	<b>FLRE-2-1/4</b>	
	1.377	1.250	1.125	BB	1980	5190	2270	1400	2780	1770	14580	1340	3.0	<b>FLRE-2-1/2</b>	
	1.377	1.250	1.125	TRB	4570	10880	7630	4570	5340	3650	29920	N/A	3.0	<b>FLRE-2-1/2-4</b>	
	1.377	1.250	1.125	BB	1980	5190	2270	1400	2780	1770	14580	1340	3.5	<b>FLRE-2-3/4</b>	
	1.752	1.375	1.250	TRB	6000	14270	20000	12000	9980	6370	40500	N/A	5.1	<b>FLRE-3</b>	
	1.752	1.375	1.250	TRB	6000	14270	20000	12000	9980	6370	40500	N/A	5.8	<b>FLRE-3-1/4</b>	
	1.814	1.500	1.375	TRB	6000	14270	20000	12000	9980	6370	40500	N/A	6.8	<b>FLRE-3-1/2</b>	
	1.814	1.500	1.375	TRB	6000	14270	20000	12000	9980	6370	40500	N/A	8.5	<b>FLRE-4</b>	
	1.814	1.500	1.375	TRB	6000	14270	20000	12000	9980	6370	40500	N/A	10.5	<b>FLRE-4-1/2</b>	
	2.627	2.500	2.250	TRB	13990	33290	51900	32500	28300	17350	103670	N/A	19.5	<b>FLRE-5</b>	
	3.127	3.250	3.000	TRB	15060	35840	56400	33100	55320	33910	161990	N/A	32.0	<b>FLRE-6</b>	

LOAD CAPACITIES ARE BASED ON UNIFORM AND STEADY LOADING.  
1 kg = 9,81 N = 2,21 lbs