



# LOAD RUNNERS

## High Temp Concentric Stud Plain Style, Flanged, V-Grooved - Inch Sizes

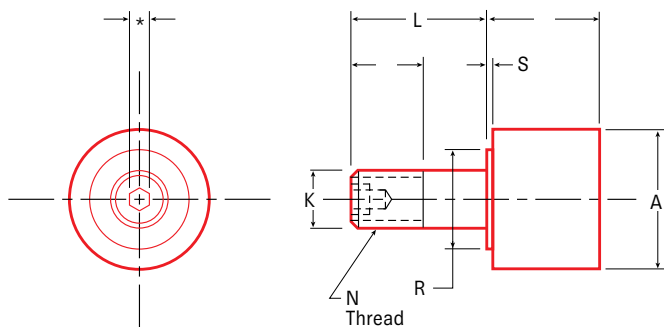
For ovens, galvanizing lines, heat treat furnaces, and industrial dryers.

- Resists 325°F / 162°C Max (continuous)  
High Temp Seals and Lubricants

Applications:

- Paper Mills
- Steel Mills
- Aluminum Mills
- Foundries
- Food Processing
- Aerospace

Plain Concentric Stud



### PLAIN

Part No.	Item No.	A	B	K	L	M	N	R	S
		Roller Dia +0.000 -0.001	Roller Width	Stud Dia +0.000 -0.001	Stud Length	Thread Length	Thread	Shoulder Dia	Shoulder Length
PLRH-1	97724	1.000	0.781	0.437	1.000	0.500	7/16-20	0.500	0.031
PLRH-1-1/4	97725	1.250	0.844	0.500	1.250	0.625	1/2-20	0.625	0.031
PLRH-1-1/2	97726	1.500	1.187	0.625	1.500	0.750	5/8-18	0.750	0.062
PLRH-2	97727	2.000	1.687	0.875	2.000	1.125	7/8-14	1.000	0.062
PLRH-2-1/2	97728	2.500	1.687	1.000	2.250	1.500	1-14	1.250	0.062

### FLANGED

Part No.	Item No.	A	B	C	D	K	L	M	N	R	S
		Roller Dia	Roller Width	Flange Dia	Flange Thickness	Stud Dia +0.000 -0.001	Stud Length	Thread Length	Thread	Shoulder Dia	Shoulder Length
FLRH-1	97729	1.000	0.781	1.375	0.219	0.437	1.000	0.500	7/16-20	0.500	0.031
FLRH-1-1/4	97730	1.250	0.844	1.563	0.219	0.500	1.250	0.625	1/2-20	0.625	0.031
FLRH-1-1/2	97731	1.500	1.188	2.188	0.343	0.625	1.500	0.750	5/8-18	0.750	0.062
FLRH-2	97732	2.000	1.688	2.688	0.593	0.875	2.000	1.125	7/8-14	1.000	0.062
FLRH-2-1/2	97733	2.500	1.688	3.188	0.593	1.000	2.250	1.500	1-14	1.250	0.062

### V-GROOVED

Part No.	Item No.	A	B	F	G	K	L	M	N	R	S
		Roller Dia	Roller Width	Point Dia	Groove Location	Stud Dia +0.000 -0.001	Stud Length	Thread Length	Thread	Shoulder Dia	Shoulder Length
VLRH-1-1/2	90048	1.50	0.781	1.125	0.391	0.437	1.00	0.500	7/16-20	0.500	0.031
VLRH-2	90072	2.00	0.844	1.375	0.422	0.50	1.25	0.625	1/2-20	0.625	0.031
VLRH-2-1/2	90049	2.50	1.312	1.500	0.687	0.75	1.75	0.875	3/4-16	1.000	0.062

Other sizes available upon request.

\*Refer to stud hex socket size and INSTALLATION NOTES on pages 87-89.

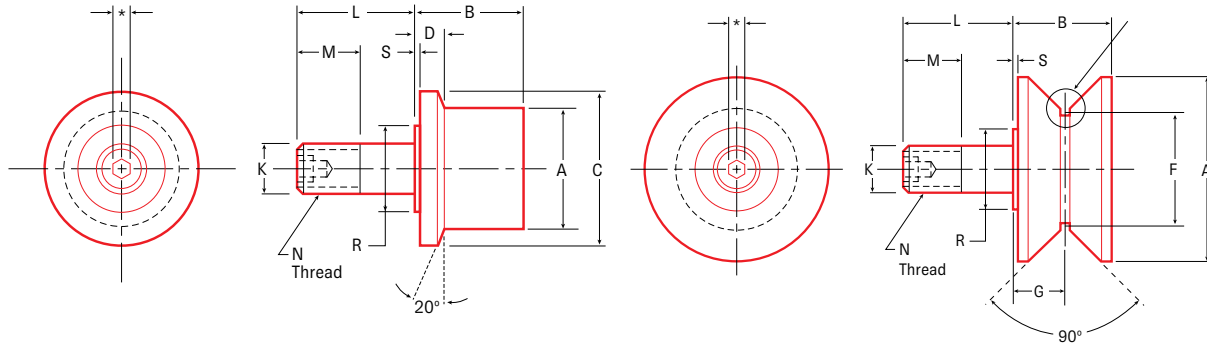
Assemblies are provided with lock washer and jam nut.



Flanged Concentric Stud

V-Grooved Concentric Stud

See page 83 for details of design recommendations for roller on rail.



PLAIN

Rec. Mtg. Hole Size	Mounting Member Thickness		Bearing Capacity Radial Load (lbs)			Thrust Capacity, Static Limit (lbs)	Stud Capacity (lbs)			Retaining Ring Capacity (lbs)	Approx Weight (lbs)	Part No.
			3000 hrs L10 life @ 100 RPM	500 hrs L10 life @ 33-1/3 RPM	Radial Static Limit		Bending=0.75 Sy		Shear= 0.75 x 0.5 x Sy			
							Bend @ End of Roller	Bend @ B/2				
+0.001 -0.000	Max	Min										
0.438	0.625	0.500	350	920	390	240	210	480	1970	380	0.2	<b>PLRH-1</b>
0.501	0.750	0.625	480	1250	520	320	390	880	3250	470	0.3	<b>PLRH-1-1/4</b>
0.626	1.000	0.750	940	2470	1110	690	650	1390	5780	470	0.4	<b>PLRH-1-1/2</b>
0.876	1.250	0.875	1330	3480	1750	1080	1500	4010	11610	910	1.3	<b>PLRH-2</b>
1.001	1.250	0.750	1330	3480	1750	1080	1500	4010	11610	910	2.3	<b>PLRH-2-1/2</b>

FLANGED

Rec. Mtg. Hole Size	Mounting Member Thickness		Bearing Capacity Radial Load (lbs)			Thrust Capacity, Static Limit (lbs)	Stud Capacity (lbs)			Retaining Ring Capacity (lbs)	Approx Weight (lbs)	Part No.
			3000 hrs L10 life @ 100 RPM	500 hrs L10 life @ 33 1/3 RPM	Radial Static Limit		Bending=0.75 Sy		Shear= 0.75 x 0.5 x Sy			
							Bend @ End of Roller	Bend @ D+B/2				
+0.001 -0.000	Max	Min										
0.438	0.625	0.500	350	920	390	240	210	370	1970	380	0.3	<b>FLRH-1</b>
0.501	0.750	0.625	480	1250	520	320	390	710	3250	470	0.4	<b>FLRH-1-1/4</b>
0.626	1.000	0.750	940	2470	1110	690	810	1100	5780	470	0.6	<b>FLRH-1-1/2</b>
0.876	1.250	0.875	1330	3480	1750	1080	1500	2640	11610	910	1.8	<b>FLRH-2</b>
1.001	1.250	0.750	1330	3480	1750	1080	1500	2650	11610	910	2.8	<b>FLRH-2-1/2</b>

V-GROOVED

Rec. Mtg. Hole Size	Mounting Member Thickness		Bearing Capacity Radial Load (lbs)			Thrust Capacity, Static Limit (lbs)	Stud Capacity (lbs)		Retaining Ring Capacity (lbs)	Approx Weight (lbs)	Part No.
			3000 hrs L10 life @ 100 RPM	500 hrs L10 life @ 33-1/3 RPM	Radial Static Limit		Bending = 0.75 Sy @ Center of V	Shear = 0.75 x 0.5 x Sy			
0.438	0.750	0.625	350	920	390	240	500	1970	380	0.5	<b>VLRH-1-1/2</b>
0.500	0.875	0.750	480	1250	520	320	920	3250	470	0.6	<b>VLRH-2</b>
0.751	1.250	1.000	940	2470	1110	690	1310	6230	470	14	<b>VLRH-2-1/2</b>

LOAD CAPACITIES ARE BASED ON UNIFORM AND STEADY LOADING.  
1 kg = 9,81 N = 2,21 lbs