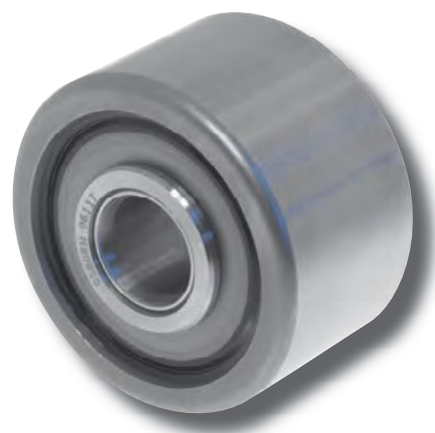
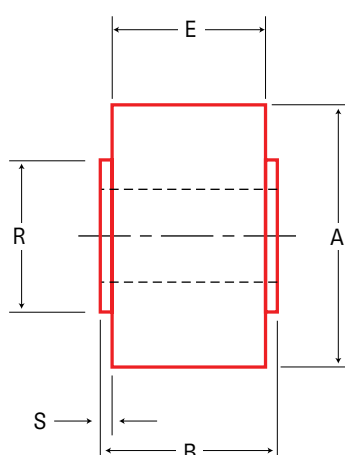
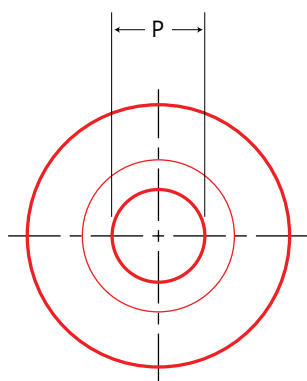




# LOAD RUNNERS

## Plain Yoke Style - Inch Sizes



For metric sizes, please turn to page 40

Part No.	Item No.	A	B	E	P		R	S	Ball or Tapered Roller Bearing	Bearing Capacity Radial Load (lbs)			Bearing Static Thrust Capacity (lbs)	Approx Weight (lbs)		
		Roller Dia	Roller Width	Tread Width	Bore					Shldr Dia	Shldr Length	3000 hrs L10 life @ 100 RPM			500 hrs L10 life @ 33-1/3 RPM	Static Limit
		+0.000 -0.001	+0.005 -0.010		Nom	Tol										
PLRY-1-1/2	90254	1.500	0.937	0.875	0.437		0.875	0.031	BB	710	1850	780	480	0.3		
PLRY-1-3/4	90255	1.750	1.063	1.000	0.500		1.000	0.031	BB	710	1850	780	480	0.7		
PLRY-2	90256	2.000	1.313	1.250	0.625		1.125	0.031	BB	1300	3400	1810	1120	0.9		
PLRY-2-1/4	90257	2.250	1.313	1.250	0.625		1.125	0.031	BB	1300	3400	1810	1120	1.4		
PLRY-2-1/2	96117	2.500	1.562	1.500	0.750		1.250	0.031	TRB	4570	10880	7630	4570	2.0		
PLRY-2-1/2-7	90107	2.500	1.562	1.500	0.750		1.250	0.031	BB	2130	5590	2530	1560	2.0		
PLRY-2-3/4-7	90108	2.750	1.562	1.500	0.750		1.250	0.031	BB	2130	5590	2530	1560	2.3		
PLRY-3	96118	3.000	1.812	1.750	1.000		1.750	0.031	TRB	6000	14270	20000	12000	2.6		
PLRY-3-1/4	96133	3.250	1.812	1.750	1.000		1.750	0.031	TRB	6000	14270	20000	12000	3.4		
PLRY-3-1/2	96138	3.500	2.062	2.000	1.125		2.000	0.031	TRB	7390	17590	27200	13100	4.2		
PLRY-4	96144	4.000	2.312	2.250	1.250		2.250	0.031	TRB	7390	17590	27200	13100	6.6		
PLRY-5	96154	5.000	2.875	2.750	1.750		3.250	0.062	TRB	13990	33290	51900	32500	11.3		
PLRY-6	96165	6.000	3.375	3.250	2.250		3.500	0.062	TRB	15060	35840	56400	33100	19.4		
PLRY-7	96177	7.000	3.875	3.750	2.750		4.250	0.062	TRB	17830	42430	79800	48400	29.3		
PLRY-8	96184	8.000	4.500	4.250	3.255		4.750	0.125	TRB	35250	83890	159800	110000	43.9		
PLRY-9	96194	9.000	5.000	4.750	3.755		5.500	0.125	TRB	56400	134230	250000	147000	51.6		
PLRY-10	96197	10.000	5.500	5.250	4.255		6.500	0.125	TRB	58080	138240	276000	196000	80.0		

Other sizes available upon request

For HEAVY DUTY SHAFTS see pages 74-75

Refer to INSTALLATION NOTES on pages 87-89

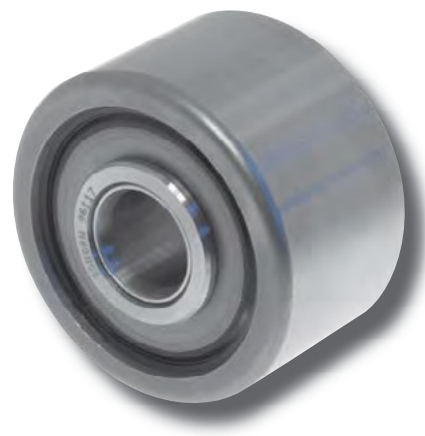
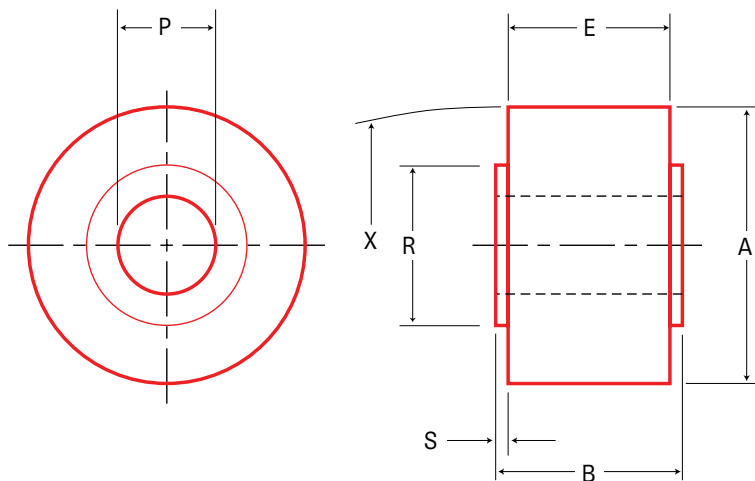
LOAD CAPACITIES ARE BASED ON UNIFORM AND STEADY LOADING.

1 kg = 9,81 N = 2,21 lbs



# LOAD RUNNERS

## Crowned Yoke Style - Inch Sizes



Part No.	Item No.	A	B	E	P		R	S	X	Ball or Tapered Roller Bearing	Bearing Capacity Radial Load (lbs)			Bearing Static Thrust Capacity (lbs)	Approx Weight (lbs)
		Roller Dia	Roller Width	Tread Width	Bore		Shldr Dia	Shldr Length	Crown Radius		3000 hrs L10 life @ 100 RPM	500 hrs L10 life @ 33-1/3 RPM	Static Limit		
		+0.000 -0.001	+0.005 -0.010		Norm	Tol									
<b>CLRY-1-1/2</b>	90265	1.5	0.937	0.875	0.437		0.875	0.031	20	BB	710	1850	780	480	0.3
<b>CLRY-1-3/4</b>	90266	1.750	1.063	1.000	0.500		1.000	0.031	20	BB	710	1850	780	480	0.7
<b>CLRY-2</b>	90267	2.000	1.313	1.250	0.625		1.125	0.031	24	BB	1300	3400	1810	1120	0.9
<b>CLRY-2-1/4</b>	90268	2.250	1.313	1.250	0.625		1.125	0.031	24	BB	1300	3400	1810	1120	1.4
<b>CLRY-2-1/2</b>	90269	2.500	1.562	1.500	0.750		1.250	0.031	30	TRB	4570	10880	7630	4570	2.0
<b>CLRY-2-1/2-7</b>	90270	2.500	1.562	1.500	0.750		1.250	0.031	30	BB	2130	5590	2530	1560	2.0
<b>CLRY-3</b>	96307	3.000	1.812	1.750	1.000		1.750	0.031	30	TRB	6000	14270	^13030	12000	2.6
<b>CLRY-3-1/4</b>	97204	3.250	1.812	1.750	1.000		1.750	0.031	30	TRB	6000	14270	^14120	12000	3.4
<b>CLRY-3-1/2</b>	97568	3.500	2.062	2.000	1.125		2.000	0.031	30	TRB	7390	17590	^15200	13100	4.2
<b>CLRY-4</b>	96312	4.000	2.312	2.250	1.250		2.250	0.031	30	TRB	7390	17590	^17730	13100	6.6
<b>CLRY-5</b>	97569	5.000	2.875	2.750	1.750		3.250	0.062	48	TRB	13990	33290	^27450	^27450	11.3
<b>CLRY-6</b>	96320	6.000	3.375	3.250	2.250		3.500	0.062	56	TRB	15060	35840	^35610	33100	19.4
<b>CLRY-7</b>	97570	7.000	3.875	3.750	2.750		4.250	0.062	60	TRB	17830	42430	^43000	^43000	29.3
<b>CLRY-8</b>	96327	8.000	4.500	4.250	3.255		4.750	0.125	40	TRB	35250	83890	^40110	^40110	43.9
<b>CLRY-9</b>	97571	9.000	5.000	4.750	3.755		5.500	0.125	40	TRB	56400	134230	^45130	^45130	51.6
<b>CLRY-10</b>	97572	10.000	5.500	5.250	4.255		6.500	0.125	40	TRB	58080	138240	^50140	^50140	80.0

^Surface strength of roller OD

Other sizes available upon request

For HEAVY DUTY SHAFTS see pages 74-75

Refer to INSTALLATION NOTES on pages 87-89

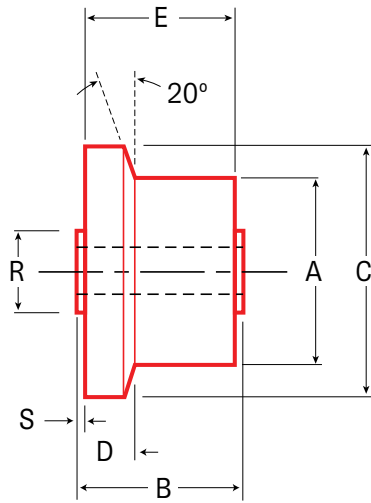
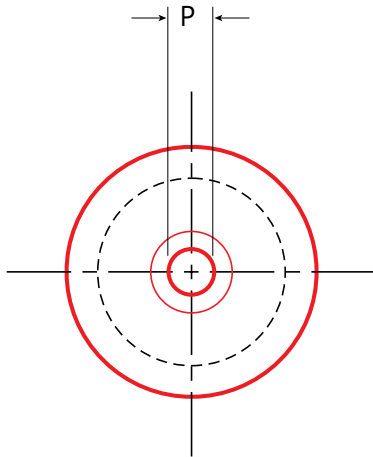
LOAD CAPACITIES ARE BASED ON UNIFORM AND STEADY LOADING.

1 kg = 9,81 N = 2,21 lbs



**LOAD RUNNERS**

**Flanged Yoke Style - Inch Sizes**



For metric sizes, please turn to page 41

Part No.	Item No.						P		R	S	Ball or Tapered Roller Bearing	Bearing Capacity Radial Load (lbs)			Bearing Static Thrust Capacity (lbs)	Approx Weight (lbs)		
		A	B	C	D	E	Bore					Shldr Dia	Shldr Length	3000 hrs L10 life @ 100 RPM			500 hrs L10 life @ 33-1/3 RPM	Static Limit
		Roller Dia	Roller Width +0.005 -0.010	Flange Dia	Flange Thickness	Tread Width	Nom	Tol										
<b>FLRY-1-1/2</b>	90258	1.500	0.937	2.188	0.218	0.872	0.437	+0.0005 -0.0000	0.875	0.031	BB	710	1850	780	480	0.4		
<b>FLRY-1-3/4</b>	90259	1.750	1.063	2.438	0.250	1.000	0.500		1.000	0.031	BB	710	1850	780	480	0.8		
<b>FLRY-2</b>	90260	2.000	1.313	2.688	0.312	1.250	0.625		1.125	0.031	BB	1300	3400	1810	1120	1.4		
<b>FLRY-2-1/4</b>	90261	2.250	1.313	2.938	0.312	1.250	0.625		1.125	0.031	BB	1300	3400	1810	1120	1.7		
<b>FLRY-2-1/2</b>	96652	2.500	1.562	3.187	0.500	1.500	0.750		1.250	0.031	TRB	4570	10880	7630	4570	2.4		
<b>FLRY-2-1/2-7</b>	90105	2.500	1.562	3.187	0.500	1.500	0.750		1.250	0.031	BB	2130	5590	2530	1560	2.4		
<b>FLRY-2-3/4-7</b>	90106	2.750	1.562	3.437	0.500	1.500	0.750		1.250	0.031	BB	2130	5590	2530	1560	2.9		
<b>FLRY-3</b>	96220	3.000	1.812	3.937	0.590	1.750	1.000		1.750	0.031	TRB	6000	14270	20000	12000	3.5		
<b>FLRY-3-1/4</b>	96225	3.250	1.812	4.187	0.590	1.750	1.000		1.750	0.031	TRB	6000	14270	20000	12000	4.3		
<b>FLRY-3-1/2</b>	96227	3.500	2.062	4.437	0.590	2.000	1.125		2.000	0.031	TRB	7390	17590	27200	13100	5.2		
<b>FLRY-4</b>	96229	4.000	2.312	4.937	0.590	2.250	1.250	2.250	0.031	TRB	7390	17590	27200	13100	7.7			
<b>FLRY-5</b>	96231	5.000	2.875	5.937	0.720	2.750	1.750	3.500	0.062	TRB	13990	33290	^50020	32500	12.9			
<b>FLRY-6</b>	96237	6.000	3.375	6.937	0.720	3.250	2.250	3.500	0.062	TRB	15060	35840	56400	33100	21.4			
<b>FLRY-7</b>	96241	7.000	3.875	7.937	0.720	3.750	2.750	4.250	0.062	TRB	17830	42430	79800	48400	31.7			
<b>FLRY-8</b>	96243	8.000	4.500	8.937	0.720	4.250	3.255	4.750	0.125	TRB	35250	83890	159800	110000	46.6			
<b>FLRY-9</b>	96246	9.000	5.000	9.937	0.720	4.750	3.755	5.500	0.125	TRB	56400	134230	^225560	147000	54.6			
<b>FLRY-10</b>	96250	10.000	5.500	10.937	0.720	5.250	4.255	6.500	0.125	TRB	58080	138240	276000	196000	83.4			

^Surface strength of roller OD

Other sizes available upon request

For HEAVY DUTY SHAFTS see pages 74-75

Refer to INSTALLATION NOTES on pages 87-89

LOAD CAPACITIES ARE BASED ON UNIFORM AND STEADY LOADING.

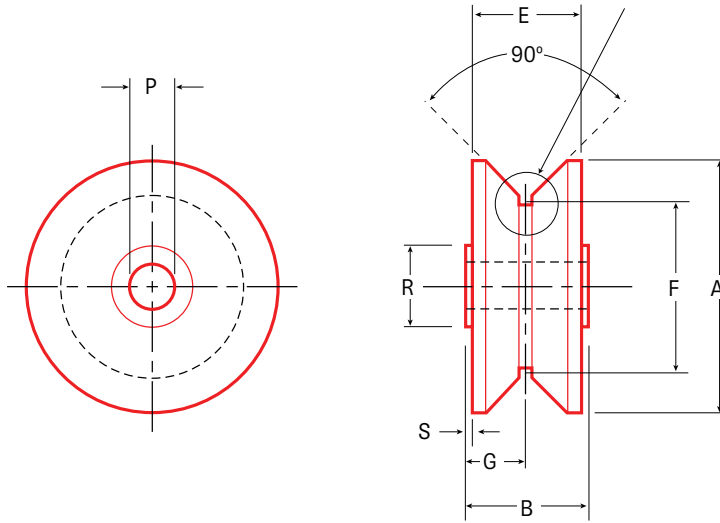
1 kg = 9,81 N = 2,21 lbs



**LOAD RUNNERS**

**V-Grooved Yoke Style - Inch Sizes**

See page 83 for details of design recommendations for roller on rail.



For metric sizes, please turn to page 42

Part No.	Item No.	A	B	E	F	G	P		R	S	Ball or Tapered Roller Bearing	Bearing Capacity Radial Load (lbs)			Bearing Static Thrust Capacity (lbs)	Approx Weight (lbs)
							Bore					3000 hrs L10 life @ 100 RPM	500 hrs L10 life @ 33-1/3 RPM	Static Limit		
							Norm	Tol								
VLRY-2-1/2	90262	2.500	0.937	0.875	1.750	0.468	0.437	+0.0005 -0.0000	0.875	0.031	BB	710	1850	780	480	1.0
VLRY-3	90263	3.000	1.312	1.250	2.062	0.656	0.625		1.125	0.031	BB	1300	3400	1810	1120	2.1
VLRY-3-1/2-7	90109	3.500	1.562	1.500	2.250	0.781	0.750		1.250	0.031	BB	1560	4090	1810	1120	2.8
VLRY-3-3/4	96655	3.750	1.562	1.500	2.500	0.785	0.750		1.250	0.031	TRB	4570	10880	7630	4570	3.1
VLRY-4-1/2	96266	4.500	1.812	1.750	3.000	0.906	1.000		1.750	0.031	TRB	6000	14270	20000	12000	5.0
VLRY-5	96279	5.000	2.062	2.000	3.500	1.030	1.125		2.000	0.031	TRB	7390	17590	27200	13100	7.6
VLRY-5-1/2	96283	5.500	2.312	2.250	4.000	1.156	1.250		2.250	0.031	TRB	7390	17590	27200	13100	11.2
VLRY-6-1/2	96287	6.500	2.875	2.750	5.000	1.437	1.750		3.500	0.062	TRB	15060	35840	^46030	^23010	18.8
VLRY-7-1/2	96291	7.500	3.375	3.250	6.000	1.687	2.250		3.500	0.062	TRB	15060	35840	^53860	^26930	30.5
VLRY-8-1/2	96292	8.500	3.875	3.750	7.000	1.937	2.750		4.250	0.062	TRB	17830	42430	^61710	^30850	44.7
VLRY-9-1/2	96297	9.500	4.500	4.250	8.000	2.250	3.255		4.750	0.125	TRB	35250	*83890	^69540	^34770	64.2
VLRY-10-1/2	96300	10.500	5.000	4.750	9.000	2.500	3.755	5.500	0.125	TRB	56400	*134230	^77380	^38690	77.5	
VLRY-11-1/2	96302	11.500	5.500	5.250	10.000	2.750	4.255	6.500	0.125	TRB	58080	*138240	^85220	^42610	112.2	

^Surface strength of roller OD

\*Exceeds surface strength of roller OD

Other sizes available upon request

For HEAVY DUTY SHAFTS see pages 74-75

Refer to INSTALLATION NOTES on pages 87-89

LOAD CAPACITIES ARE BASED ON UNIFORM AND STEADY LOADING.

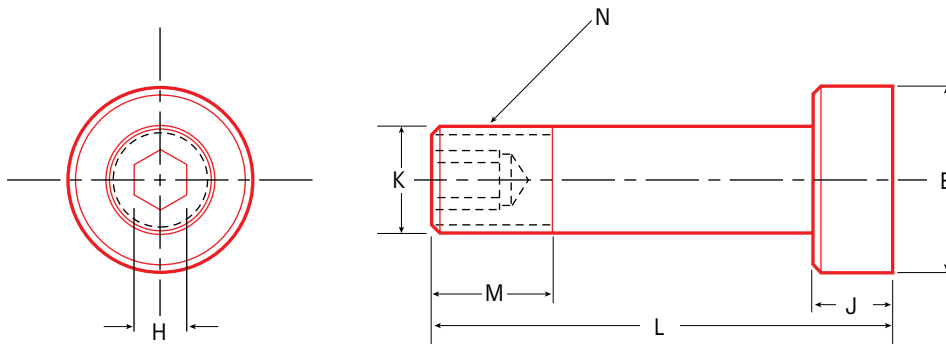
1 kg = 9,81 N = 2,21 lbs



# LOAD RUNNERS

## Heavy-Duty Concentric Shafts for Yoke Style Idler-Rollers - Inch Sizes

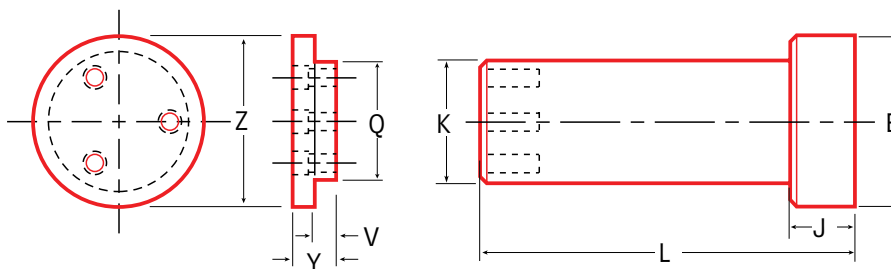
Shaft Style A includes jam nut and lock washer



For metric sizes, please turn to page 43

Part No.	Item No.	Fits PLRY & CLRY	Fits FLRY	Fits VLRY	E		H	J	K	L	M	N	Approx Weight (lbs)
					Head Dia	Hex Size	Head Length	Shaft Dia	Shaft Length	Thread Length	Thread		
					-0.0002 -0.0012			-0.0002 -0.0012					
SHA-437	90282	1-1/2	1 1/2	2-1/2	0.750	0.157	0.375	0.4375	2.062	0.625	7/16"-20	0.7	
SHA-500	90283	1-3/4	1 3/4	-	0.875	0.250	0.437	0.500	2.375	0.750	1/2"-20	0.8	
SHA-625	90284	2 & 2-1/4	2 & 2-1/4	3	1.125	0.312	0.500	0.625	3.000	0.875	5/8"-18	1.0	
SHA-750	95006	2-1/2	2-1/2	3-1/2-7 +3-3/4	1.250	0.312	0.625	0.750	3.687	1.000	3/4"-16	1.2	
SHA-1000	95008	3 & 3-1/4	3 & 3-1/4	4-1/2	1.750	0.500	0.750	1.000	4.312	1.125	1"-14	1.5	
SHA-1125	95020	3-1/2	3-1/2	5	2.000	0.500	0.875	1.125	4.875	1.187	1-1/8"-12	2.1	
SHA-1250	95023	4	4	5-1/2	2.250	0.500	0.875	1.250	5.250	1.312	1-1/4"-12	2.7	
SHA-1750	95028	5	5	6-1/2	3.500	0.500	1.250	1.750	7.000	1.875	1-3/4"-12	8.3	
SHA-2250	95036	6	6	7-1/2	3.500	0.625	1.250	2.250	7.750	2.125	2-1/4"-12	12.6	
SHA-2750	95042	7	7	8-1/2	4.250	0.625	1.375	2.750	9.000	2.625	2-3/4"-12	22.3	

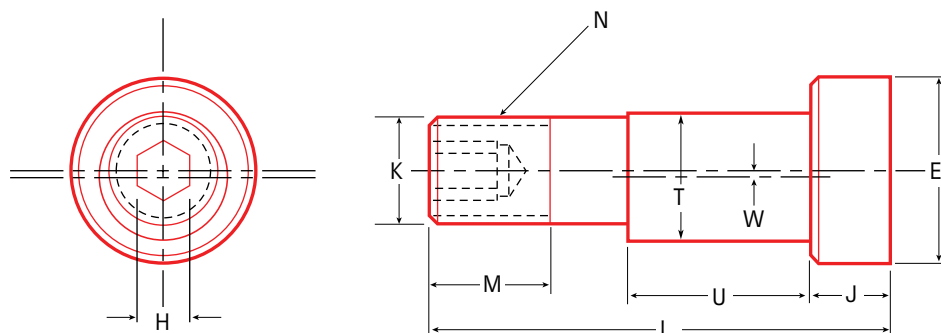
Shaft Style B includes shaft retainers, socket head cap screws and lock washers



Part No.	Item No.	Fits FLRY	Fits PLRY	Fits VLRY	E		J	K	L	Q	V	Y	Z	Approx Weight (lbs)
					Head Dia	Head Length	Head Length	Shaft Dia	Shaft Length	Retainer Mount Dia	Retainer Mount Length	Retainer Length	Retainer Dia	
					-0.0002 -0.0012			-0.0002 -0.0012						
SHB-3250	95045	8	8	9-1/2	4.750	1.875	3.254	7.625	3.250	0.500	1.000	4.000	25.3	
SHB-3750	95049	9	9	10-1/2	5.500	2.125	3.754	8.625	3.750	0.500	1.125	4.500	38.3	
SHB-4250	95050	10	10	11-1/2	6.500	2.250	4.254	9.375	4.250	0.500	1.125	5.000	54.6	

**Heavy-Duty Eccentric Shafts for Yoke Style Idler-Rollers - Inch Sizes**

Shaft Style E includes flat washer, jam nut and lock washer



Part No.	Item No.	Fits PLRY & CLRY	Fits FLRY	Fits VLRY	E	H	J	K	L	M	N	T	U	W	Approx Weight (lbs)
					Head Dia -0.0002 -0.0012	Hex Size	Head Length	Shaft Dia -0.0002 -0.0012	Shaft Length	Thread Length	Thread	Eccentric Dia +0.001 -0.001	Eccentric Length +0.000 -0.010	Eccentricity	
<b>SHE-437</b>	90285	1-1/2	1-1/2	2-1/2	0.750	0.156	0.375	0.313	2.062	3/8	5/16-18	0.438	0.843	0.030	0.700
<b>SHE-500</b>	90286	1-3/4	1-3/4	-	0.875	0.156	0.437	0.375	2.375	9/16	3/8-24	0.500	0.968	0.030	1.000
<b>SHE-625</b>	90287	2 & 2-1/4	2 & 2-1/4	3	1.125	0.250	0.500	0.500	3.000	9/16	1/2-20	0.625	1.187	0.030	1.200
<b>SHE-750</b>	97507	2-1/2	2-1/2	3-1/2-7 +3-3/4	1.250	0.312	0.625	0.625	3.687	1	5/8-18	0.750	1.495	0.030	1.500
<b>SHE-1000</b>	95056	3 & 3-1/4	3 & 3-1/4	4-1/2	1.750	0.312	0.750	0.875	4.312	1-1/8	7/8-14	1.000	1.745	0.030	1.350
<b>SHE-1125</b>	95058	3-1/2	3-1/2	5	2.000	0.500	0.875	1.000	4.875	1-3/16	1-14	1.125	1.995	0.030	2.000
<b>SHE-1250</b>	95059	4	4	5-1/2	2.250	0.500	0.875	1.000	5.250	1-5/16	1-14	1.250	2.245	0.060	2.250
<b>SHE-1750</b>	96848	5	5	6-1/2	3.500	0.500	1.250	1.500	7.000	1-7/8	1-1/2-12	1.750	2.807	0.060	2.812
<b>SHE-2250</b>	97508	6	6	7-1/2	3.500	0.625	1.250	2.000	7.750	2-1/8	2-12	2.250	3.307	0.060	3.312
<b>SHE-2750</b>	97509	7	7	8-1/2	4.250	0.625	1.375	2.500	9.000	2-5/8	2-1/2-12	2.750	3.807	0.060	3.812