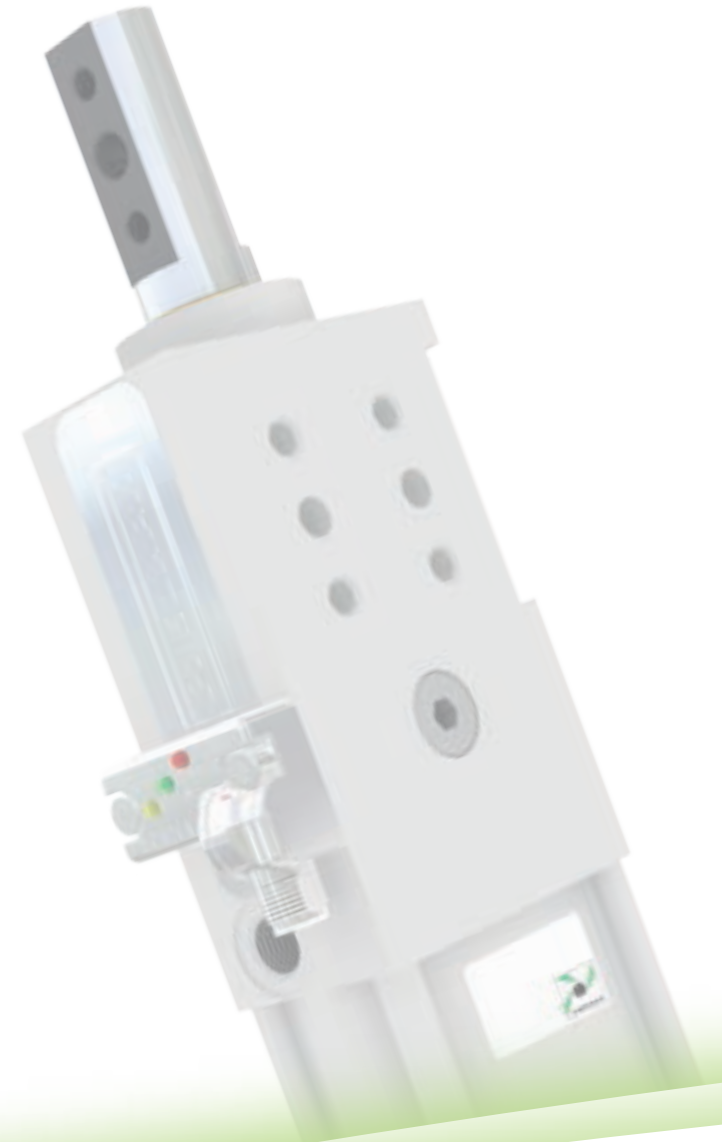




LOCATING

- R-SERIES Retractable locating pin packages
- RC-SERIES Retractable locating pin packages with CNOMO mounting pattern
- HP-SERIES High Performance retractable locating pin packages
- F-SERIES Retractable locating pin packages with dual rods



WHY PNX

POSITIONING ACCURACY

INNOVATION DOWN TO THE LAST DETAIL



- ✓ HIGH POSITIONING ACCURACY LEVEL: PRECISE GUIDING THROUGH DOUBLE BUSHINGS FOR AN OPTIMAL SUPPORT OF THE RODS > **TWIN PISTON ROD GUIDE**
- ✓ LOW DEFLECTION
- ✓ EFFICIENT ANTI ROTATION MECHANISM

MINIMAL OVERALL LENGTH

+ FLAT AND NARROW DESIGN IN ALUMINUM ALLOY

≡ EXTRA LIGHT PRODUCTS



RP32 RA32



RP50 RP63



RD50



HP50



CNOMO
RC50 RC63



FP40 FP63



WHY PNX

HIGH RESISTANCE TO WELDING DEBRIS AND CORROSION

Protection against weld spatter, dirt and coolants enabling pin packages to operate continuously in extreme environments:



CHROME ROD COATING

as a protection against adhering weld sparks

+ METAL ROD SCRAPER

to prevent welding debris from entering the pin package

IP68 for the sensor

IP56 for pin package

long life built-in protected components in **rust prevention**

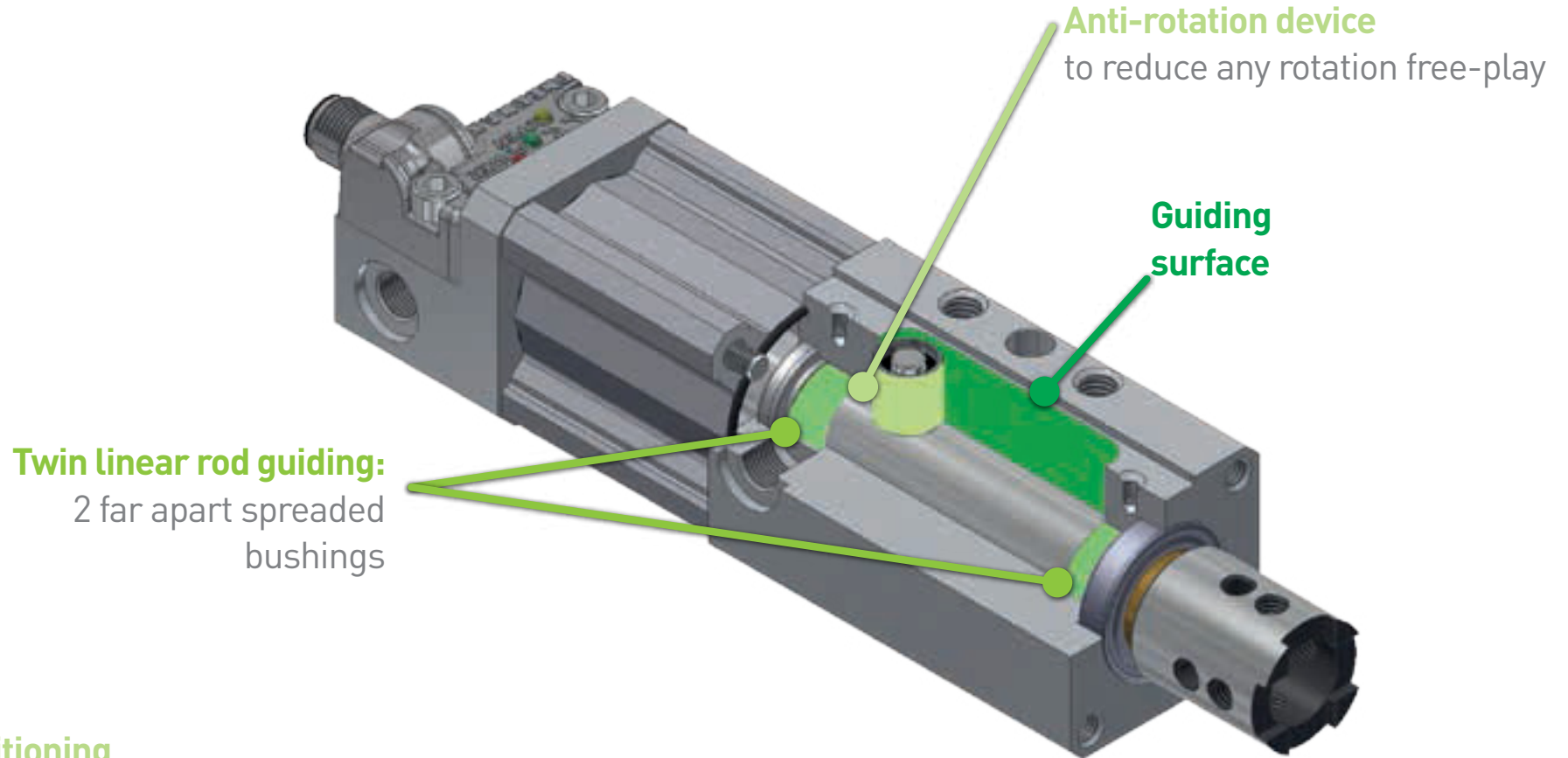
Clean design with **user-friendly surfaces**
and no dirt or welding deposit traps



WHY
PNX

Ø_32 MM PIN PACKAGE

INNOVATION DOWN TO THE LAST DETAIL



Twin linear rod guiding:
2 far apart spreaded bushings

Anti-rotation device
to reduce any rotation free-play

Guiding surface

High positioning
accuracy level

WHY PNX

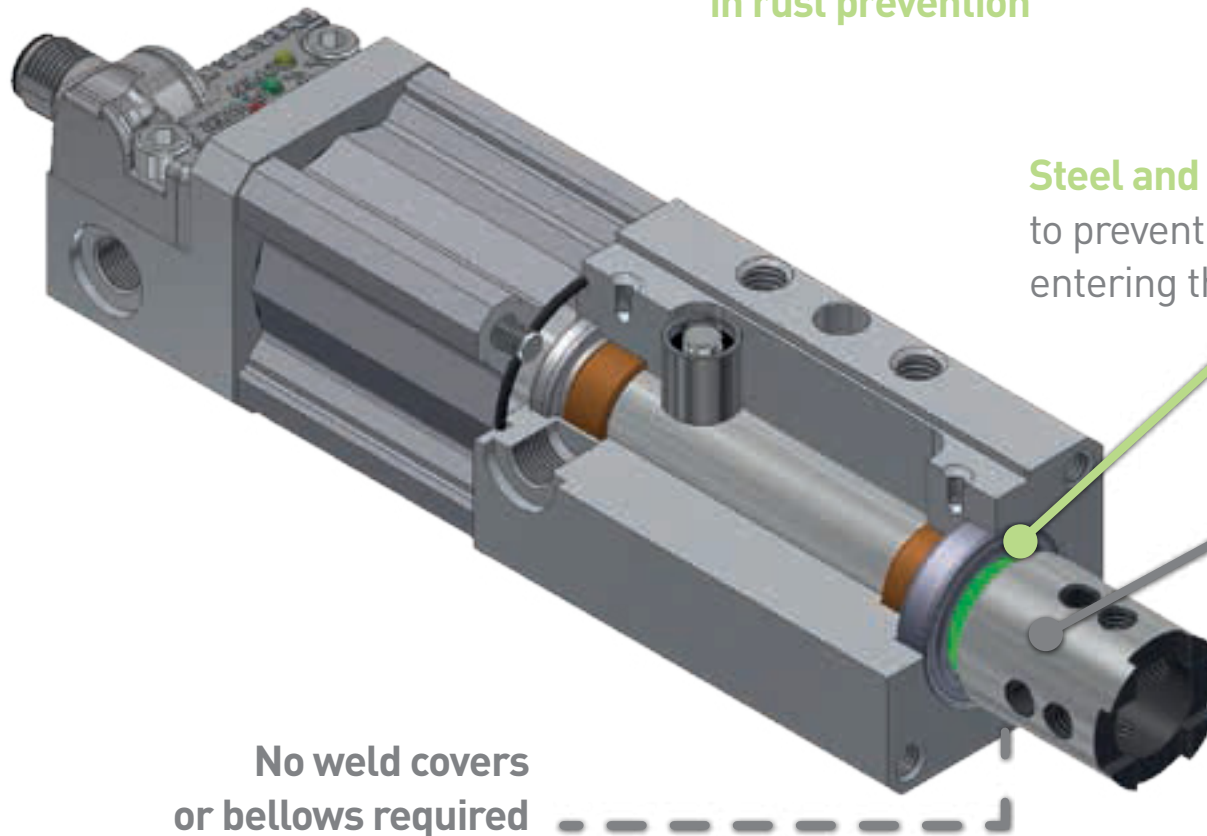
Ø_32 MM PIN PACKAGE

Long life built-in components
in rust prevention

Steel and brass rodscraper
to prevent welding debris from
entering the pin package

Chrome rod
coating
as a protection
against adhering
weld sparks

No weld covers
or bellows required



WHY PNX

Ø_32 MM PIN PACKAGE

INNOVATION DOWN TO THE LAST DETAIL



Same sensor
used on clamps
pin packages,
power pivots &
grripper clamps.

2-sided mounting option



Front mount



Rear mount

Supply ports on 3 sides



G ports on 3 sides



ORDERING STRING

R_32-SERIES

R **P** **32** **E** **20** **G** **3** **1**

VERSION

R = retractable locating pin package

OPERATION - SERIES

P = pneumatic - flat version
A = pneumatic - compact version

SIZE

32 = Ø 32 mm

SENSOR

E = electronic sensor with M12 swivel connector - PNP
A = electronic sensor with M12 swivel connector - NPN
N = no sensor
B = electronic sensor with M8 swivel connector - PNP

STROKE

20 = 20 mm
40 = 40 mm

PORTS

G = GAS

RP32



RA32

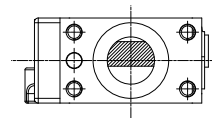


ROD TERMINATION

1 = iØ 16 mm cross-cut key rod termination
2 = iØ 10 mm cross-cut key rod termination
3 = rod termination for offset pins
4 = rod termination with key

ROD ORIENTATION (FOR TERMINATION TYPE 3)

- 1 =
- 2 =
- 3 =
- 4 =



ROD TERMINATION

Rod 1



Rod 2



Rod 3



Rod 4



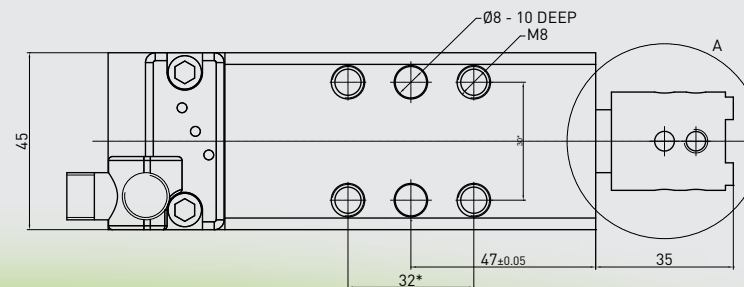
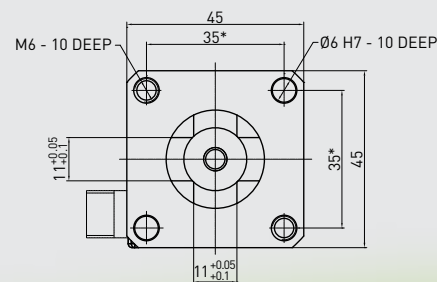
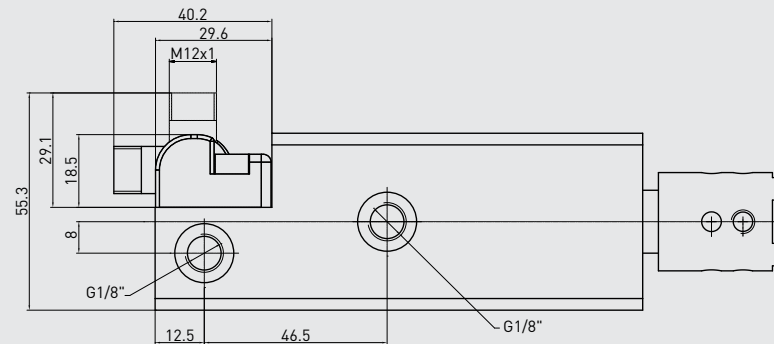
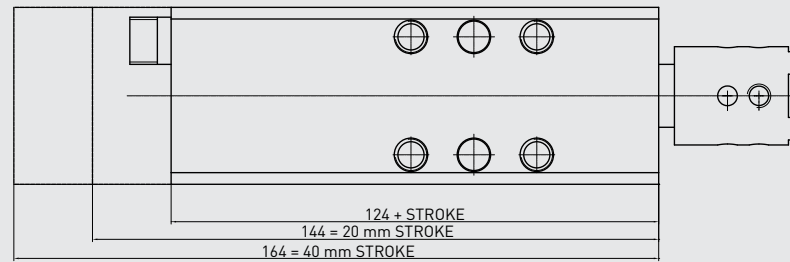
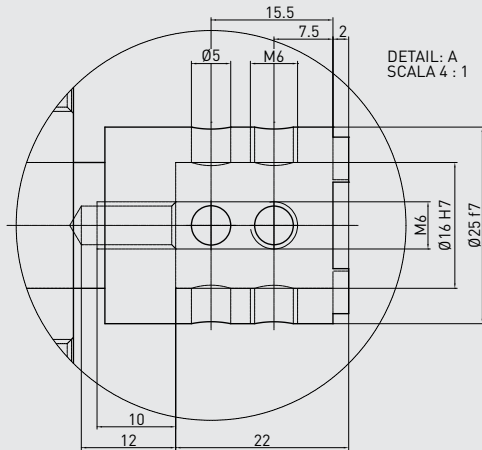
Subject to change without notice



INNOVATION DOWN TO THE LAST DETAIL

* DIMENSIONAL TOLERANCE FOR DOWEL HOLES: ± 0.02
DIMENSIONAL TOLERANCE FOR THREADED HOLES: ± 0.1

REV. 00 - 07/03/2017



WEIGHT

kg
0.88
min. stroke
version

RP32E_1

Retractable locating
pin package

Size 32 mm

$\varnothing 16$ mm cross-cut
key rod termination

Technical features

Operating features

Operating pressure from 2 to 8 bar / from 30 to 115 psi

Lubrication all the devices are lubricated for life at the factory. Inline air lubrication isn't required



WEIGHT

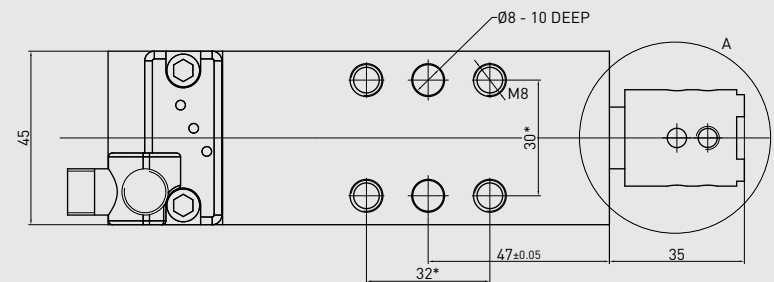
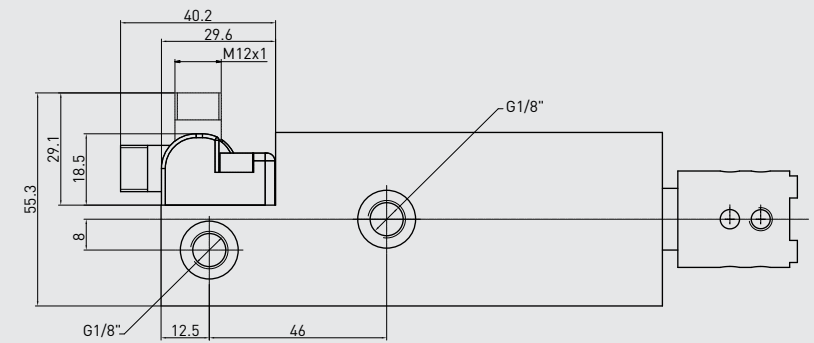
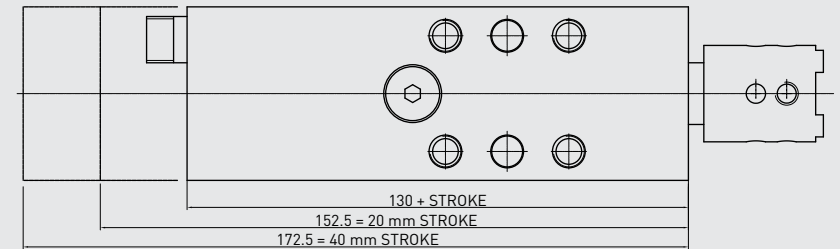
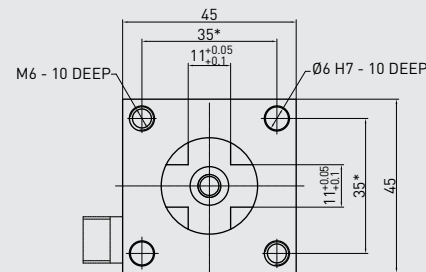
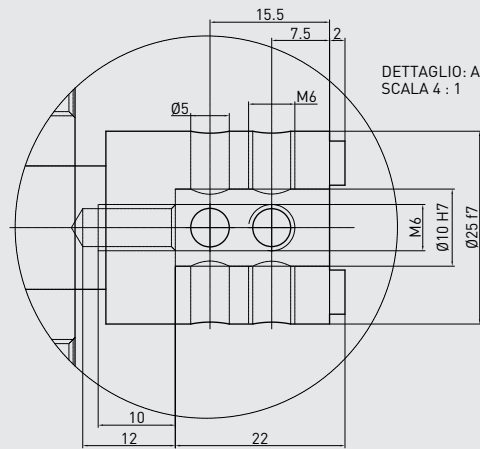
kg
0.88
min. stroke
version

RP32E_2

Retractable locating
pin package

Size 32 mm

∅ 10 mm cross-cut
key rod termination



* DIMENSIONAL TOLERANCE FOR DOWEL HOLES: ±0.02
DIMENSIONAL TOLERANCE FOR THREADED HOLES: ±0.1

REV. 00 - 00/00/0000

Technical features

Operating features	
Operating pressure	from 2 to 8 bar / from 30 to 115 psi
Lubrication	all the devices are lubricated for life at the factory. Inline air lubrication isn't required

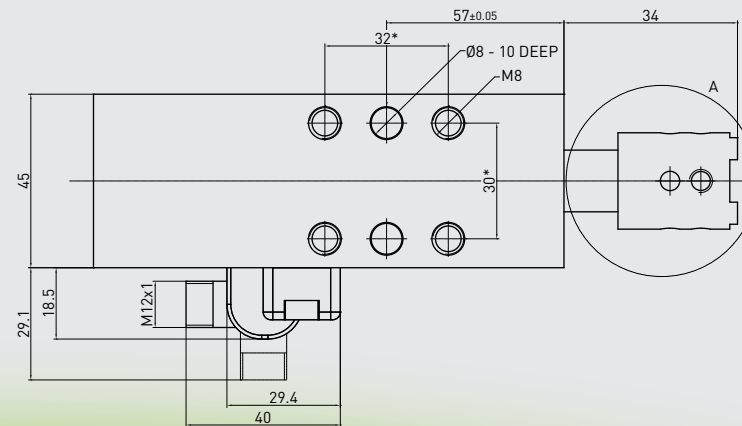
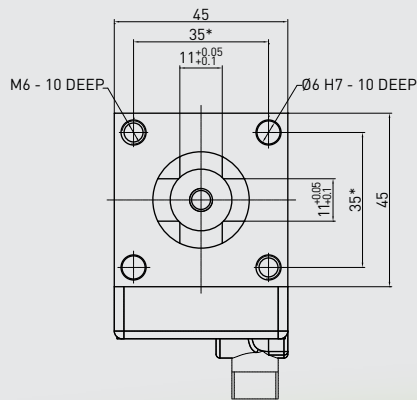
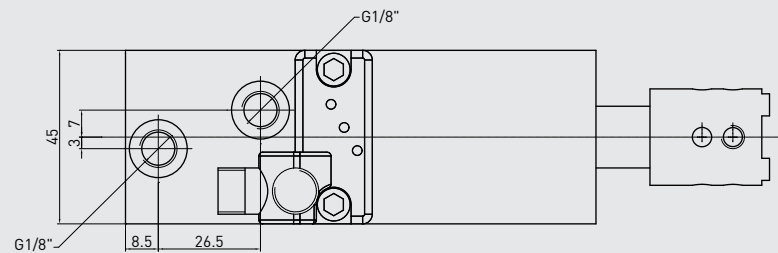
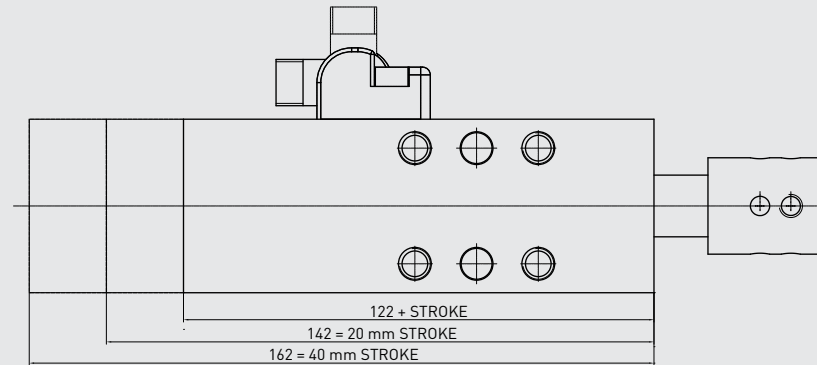
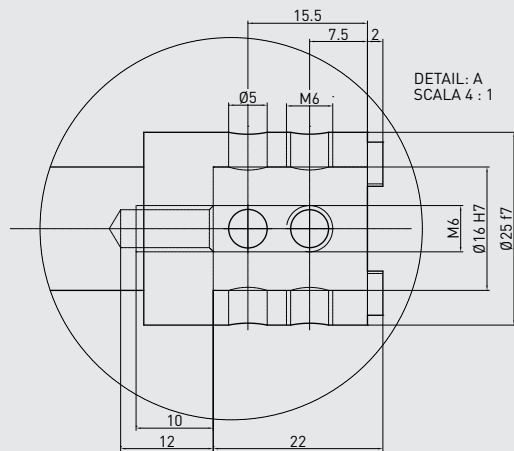
Subject to change
without notice



INNOVATION DOWN TO THE LAST DETAIL

* DIMENSIONAL TOLERANCE FOR DOWEL HOLES: ± 0.02
DIMENSIONAL TOLERANCE FOR THREADED HOLES: ± 0.1

REV. 02 - 12/01/2018



WEIGHT

kg
0.94
min. stroke
version

RA32E_1

Retractable locating
pin package

Size 32 mm

$\varnothing 16$ mm cross-cut
key rod termination

Technical features

Operating features	
Operating pressure	from 2 to 8 bar / from 30 to 115 psi
Lubrication	all the devices are lubricated for life at the factory. Inline air lubrication isn't required



WEIGHT

kg
0.94
min. stroke
version

RA32E_2

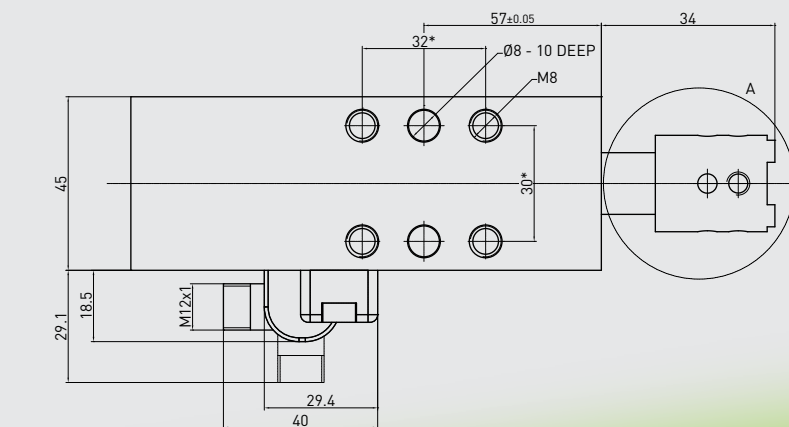
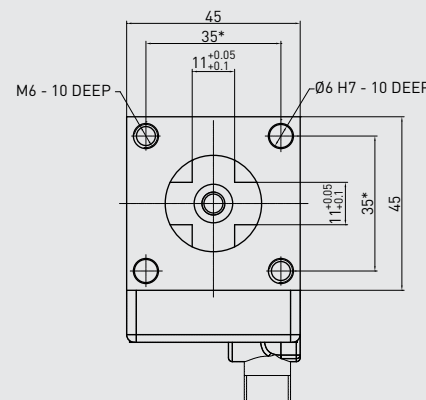
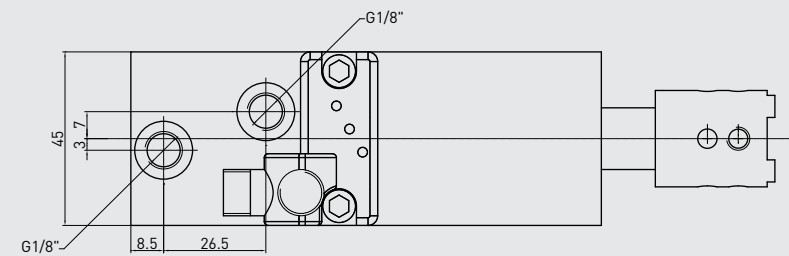
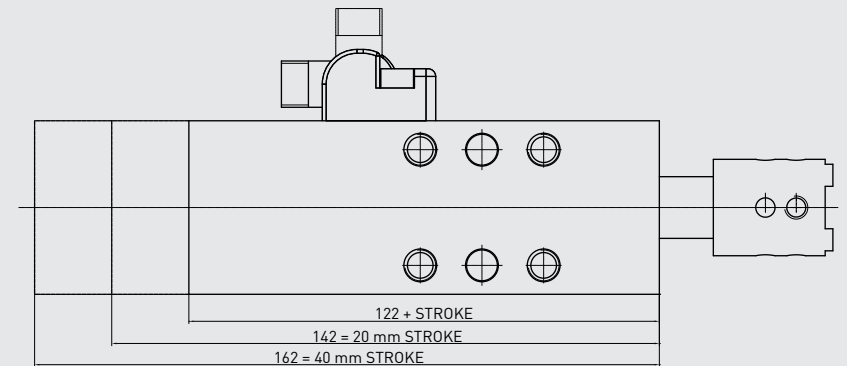
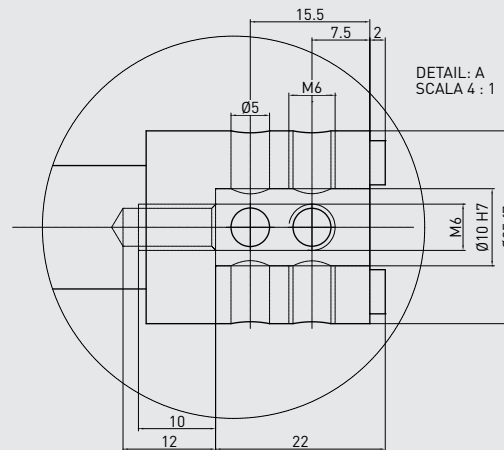
Retractable locating
pin package

Size 32 mm

∅ 10 mm cross-cut
key rod termination

* DIMENSIONAL TOLERANCE FOR DOWEL HOLES: ±0.02
DIMENSIONAL TOLERANCE FOR THREADED HOLES: ±0.1

REV. 02 - 12/01/2018



Technical features

Operating features

Operating pressure from 2 to 8 bar / from 30 to 115 psi

Lubrication all the devices are lubricated for life at the factory. Inline air lubrication isn't required

Subject to change
without notice



INNOVATION DOWN TO THE LAST DETAIL



ORDERING STRING R-SERIES

R **P** **50** **E** **40** **D** **3** **1**

VERSION

R = retractable locating pin package

OPERATION

P = pneumatic
D = pneumatic with manual operation



SIZE

50 = Ø 50 mm
63 = Ø 63 mm

SENSOR

E = electronic sensor with M12 swivel connector - PNP
A = electronic sensor with M12 swivel connector - NPN
N = no sensor
B = electronic sensor with M8 swivel connector - PNP

STROKE

15 = 15 mm
25 = 25 mm
40 = 40 mm
50 = 50 mm
60 = 60 mm

PORTS

G = GAS
D = dual GAS ports on rear end cap

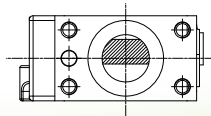


ROD TERMINATION

1 = iØ 16 mm cross-cut key rod termination
2 = iØ 10 mm cross-cut key rod termination
3 = rod termination for offset pins
4 = rod termination with key
5 = rod with flat termination dia. 10 mm
6 = rod with flat termination dia. 12 mm
7 = iØ 12 mm CNOMO termination
8 = iØ 20 mm CNOMO termination

ROD ORIENTATION (FOR TERMINATION TYPE 3)

- 1 =
- 2 =
- 3 =
- 4 =



ROD TERMINATION





RP50E_1

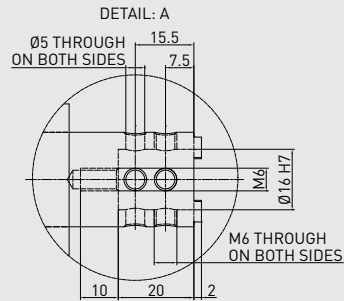
Retractable locating pin package

Size 50 mm

∅16 mm cross-cut key rod termination

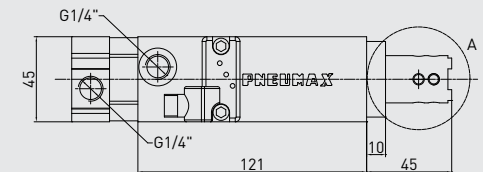
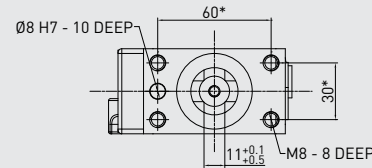
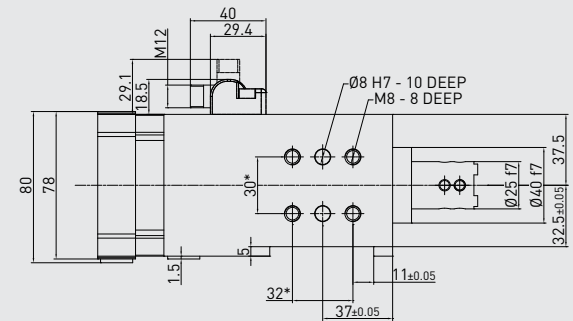
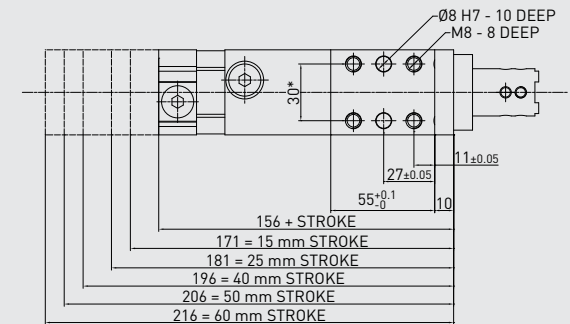
WEIGHT

kg	kg
1.85	2.1
min. stroke version	max. stroke version



* DIMENSIONAL TOLERANCE FOR DOWEL HOLES: ±0.02
DIMENSIONAL TOLERANCE FOR THREADED HOLES: ±0.1

REV. 01 - 26/02/2016



Technical features

Operating features	
Operating pressure	from 2 to 8 bar / from 30 to 115 psi
Lubrication	all the devices are lubricated for life at the factory. Inline air lubrication isn't required

Subject to change without notice



* DIMENSIONAL TOLERANCE FOR DOWEL HOLES: ± 0.02
DIMENSIONAL TOLERANCE FOR THREADED HOLES: ± 0.1

REV. 01 - 26/02/2016

INNOVATION DOWN TO THE LAST DETAIL

WEIGHT

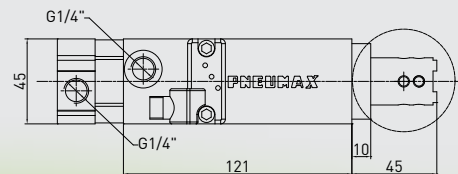
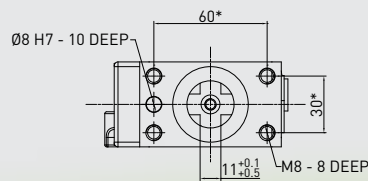
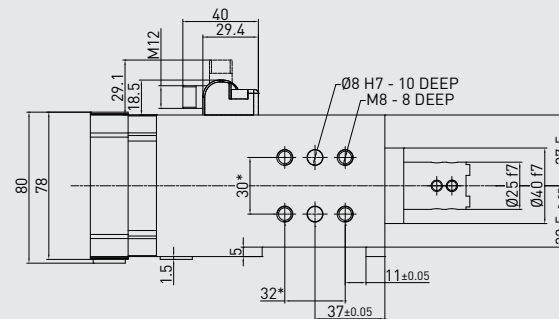
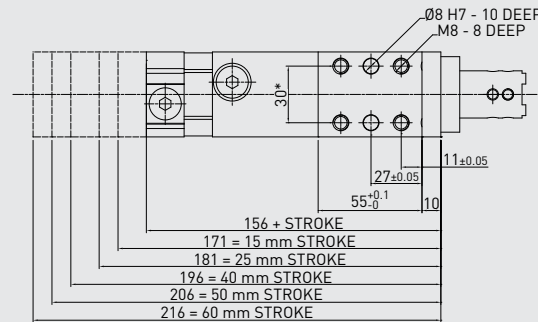
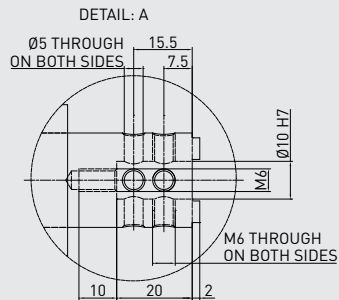
kg 1.85 min. stroke version
kg 2.1 max. stroke version

RP50E_2

Retractable locating pin package

Size 50 mm

$\varnothing 10$ mm cross-cut key rod termination



Technical features	
Operating features	
Operating pressure	from 2 to 8 bar / from 30 to 115 psi
Lubrication	all the devices are lubricated for life at the factory. Inline air lubrication isn't required





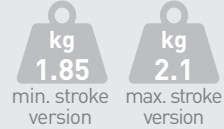
RP50E_3

Retractable locating
pin package

Size 50 mm

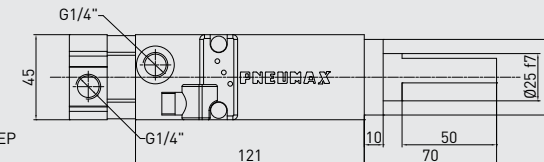
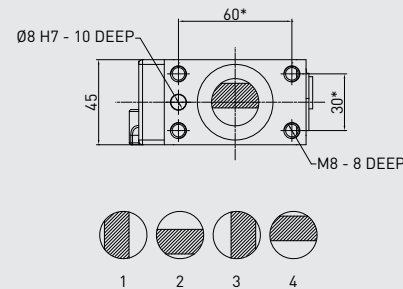
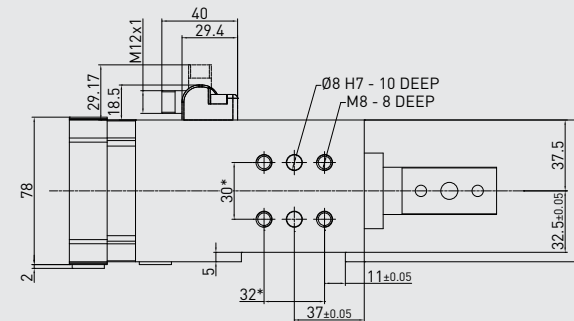
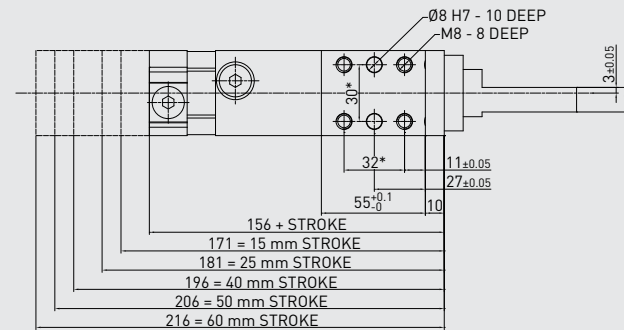
Rod termination
for offset pins

WEIGHT



* DIMENSIONAL TOLERANCE FOR DOWEL HOLES: ± 0.02
DIMENSIONAL TOLERANCE FOR THREADED HOLES: ± 0.1

REV. 00 - 31/03/2015



Technical features

Operating features

Operating pressure from 2 to 8 bar / from 30 to 115 psi

Lubrication all the devices are lubricated for life at the factory. Inline air lubrication isn't required

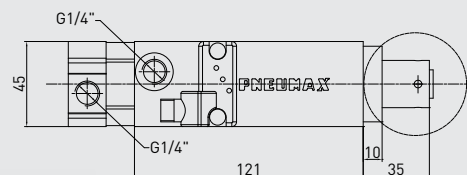
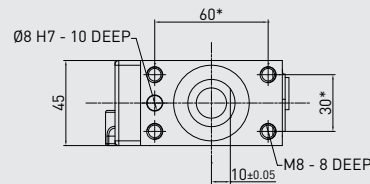
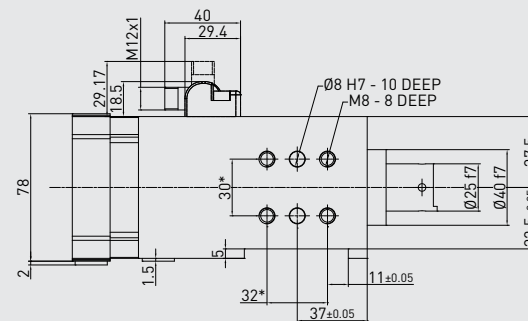
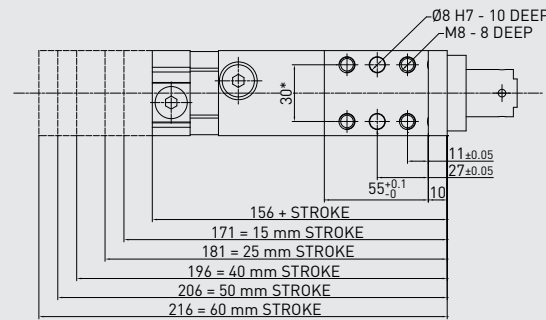
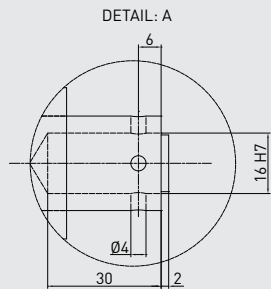
Subject to change
without notice



INNOVATION DOWN TO THE LAST DETAIL

* DIMENSIONAL TOLERANCE FOR DOWEL HOLES: ± 0.02
 DIMENSIONAL TOLERANCE FOR THREADED HOLES: ± 0.1

REV. 00 - 31/03/2015



WEIGHT

kg
1.85
min. stroke
version

kg
2.1
max. stroke
version

RP50E_4

Retractable locating
pin package

Size 50 mm

Rod termination with key

Technical features

Operating features	
Operating pressure	from 2 to 8 bar / from 30 to 115 psi
Lubrication	all the devices are lubricated for life at the factory. Inline air lubrication isn't required



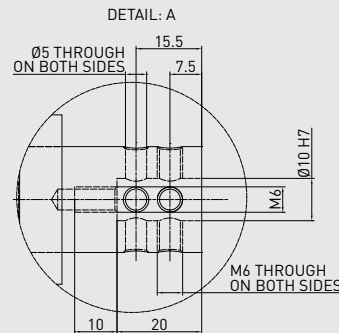
RP50E_5

Retractable locating
pin package

Size 50 mm

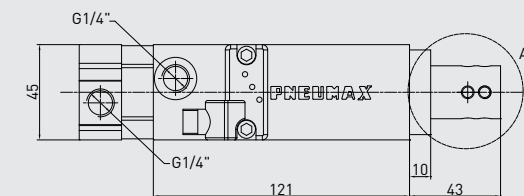
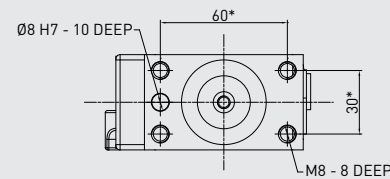
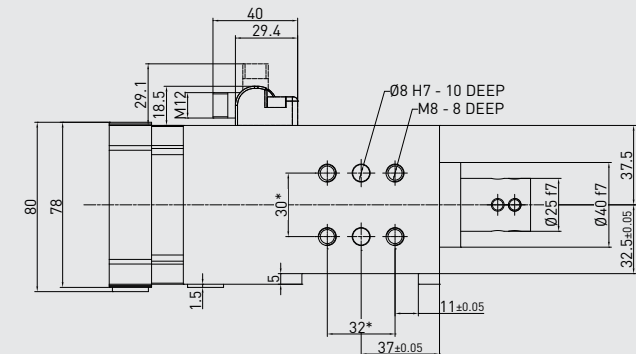
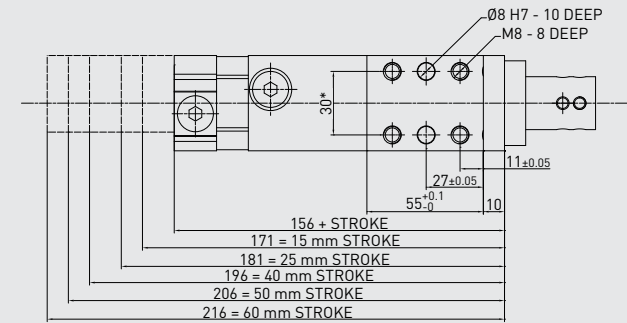
∅ 10 mm flat termination

WEIGHT



* DIMENSIONAL TOLERANCE FOR DOWEL HOLES: ± 0.02
DIMENSIONAL TOLERANCE FOR THREADED HOLES: ± 0.1

REV. 00 - 14/03/2016



Technical features

Operating features	
Operating pressure	from 2 to 8 bar / from 30 to 115 psi
Lubrication	all the devices are lubricated for life at the factory. Inline air lubrication isn't required

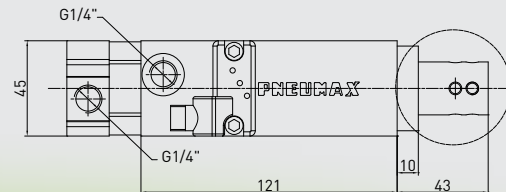
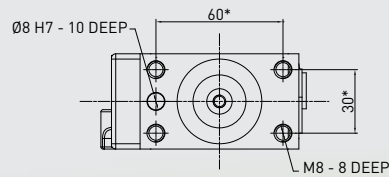
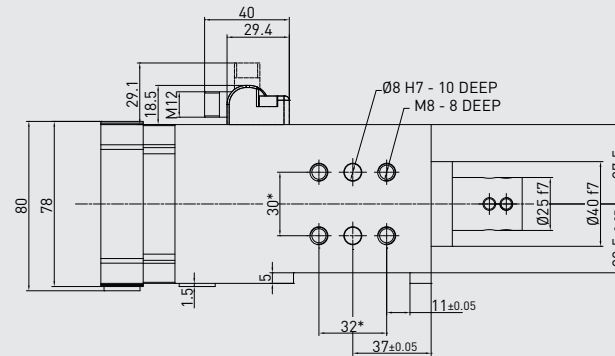
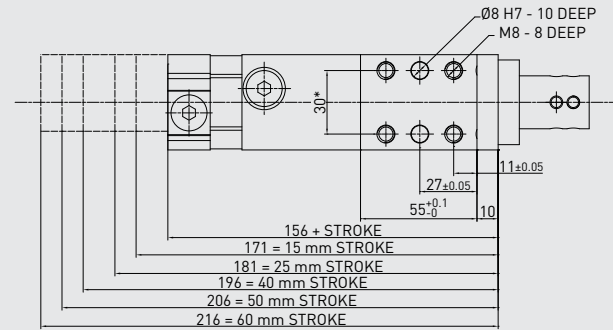
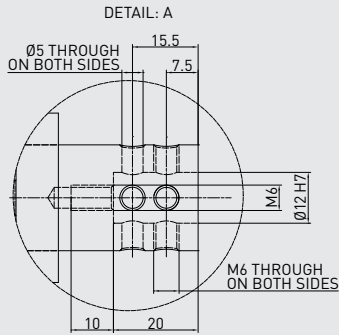
Subject to change
without notice



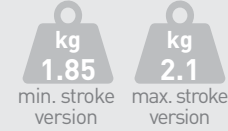
INNOVATION DOWN TO THE LAST DETAIL

* DIMENSIONAL TOLERANCE FOR DOWEL HOLES: ± 0.02
DIMENSIONAL TOLERANCE FOR THREADED HOLES: ± 0.1

REV. 00 - 14/03/2016



WEIGHT



RP50E_6

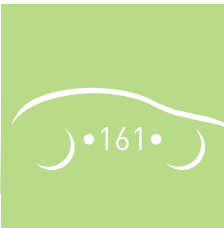
Retractable locating pin package

Size 50 mm

\varnothing 12 mm flat termination

Technical features

Operating features	
Operating pressure	from 2 to 8 bar / from 30 to 115 psi
Lubrication	all the devices are lubricated for life at the factory. Inline air lubrication isn't required





RD150E_1

Retractable locating pin package

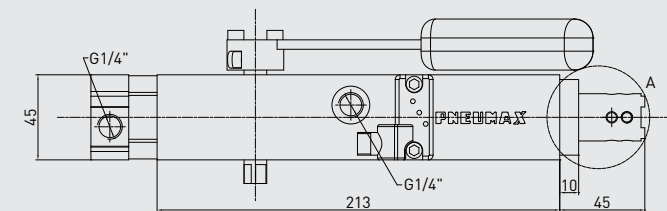
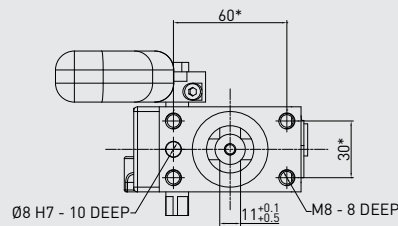
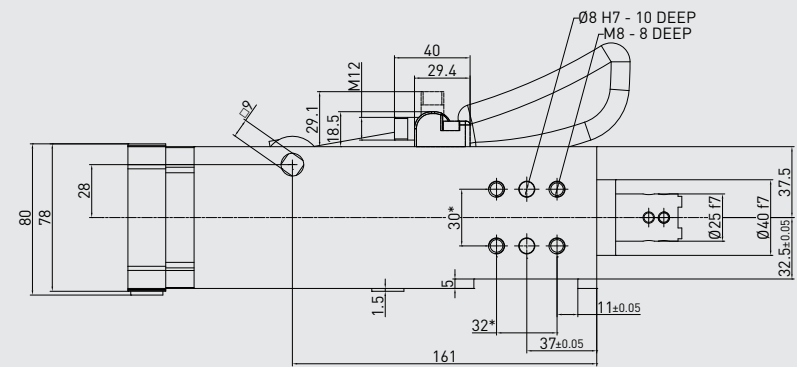
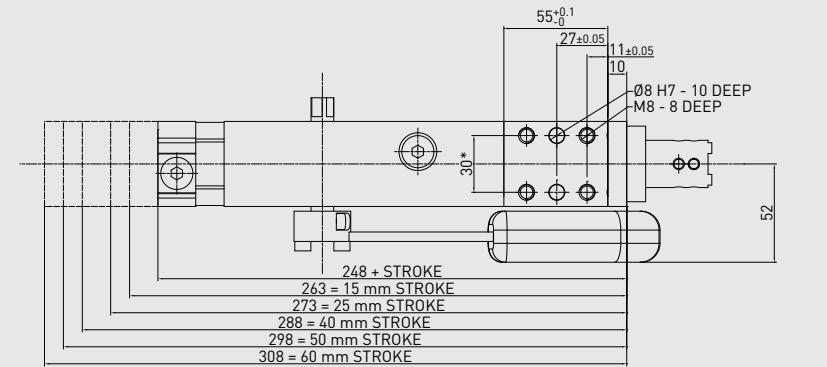
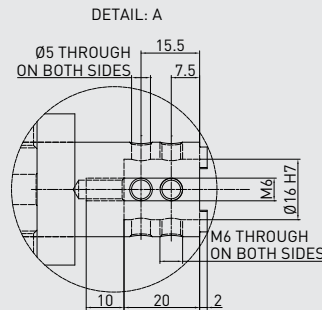
Size 50 mm

∅ 16 mm cross-cut key rod termination

With manual operation

WEIGHT
D1 handle included

kg 2.85	kg 3.1
min. stroke version	max. stroke version



* DIMENSIONAL TOLERANCE FOR DOWEL HOLES: ±0.02
DIMENSIONAL TOLERANCE FOR THREADED HOLES: ±0.1

REV. 02 - 26/02/2016

Handle swivel angle

Stroke	Maximum handle swivel angle	Minimum handle swivel angle
15	108°	89.2°
25	108°	71°
40	108°	41.4°
50	108°	25.5°
60	108°	0°

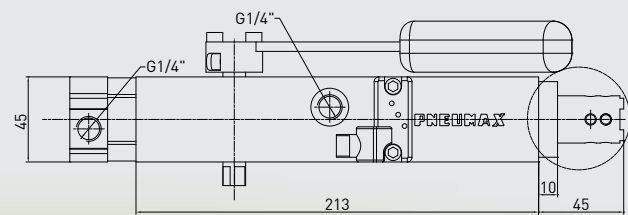
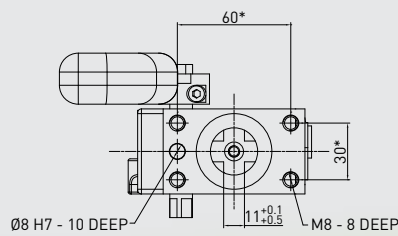
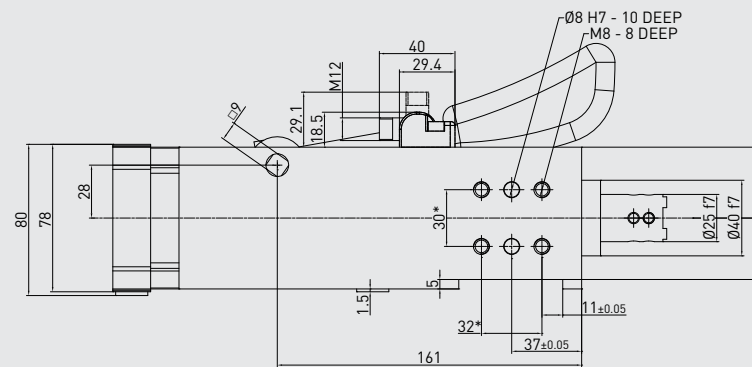
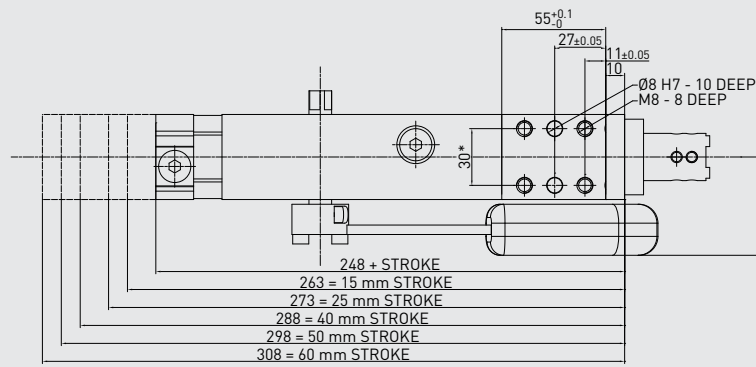
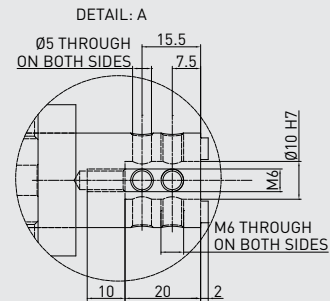
Subject to change without notice



INNOVATION DOWN TO THE LAST DETAIL

* DIMENSIONAL TOLERANCE FOR DOWEL HOLES: ± 0.02
DIMENSIONAL TOLERANCE FOR THREADED HOLES: ± 0.1

REV. 02 - 26/02/2016



WEIGHT

D1 handle included

kg
2.85
min. stroke
version

kg
3.1
max. stroke
version

RD150E_2

Retractable locating
pin package

Size 50 mm

Ø 10 mm cross-cut
key rod termination

With manual operation

Handle swivel angle

Stroke	Maximum handle swivel angle	Minimum handle swivel angle
15	108°	89.2°
25	108°	71°
40	108°	41.4°
50	108°	25.5°
60	108°	0°



RD150E_3

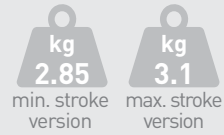
Retractable locating pin package

Size 50 mm

Rod termination for offset pins

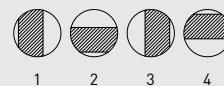
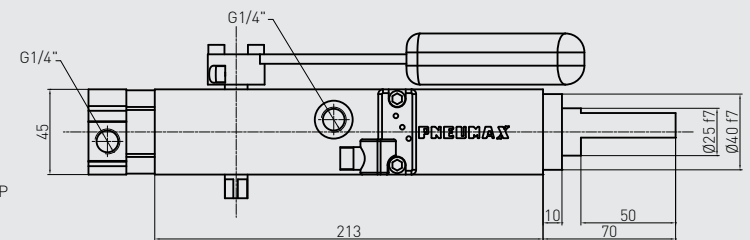
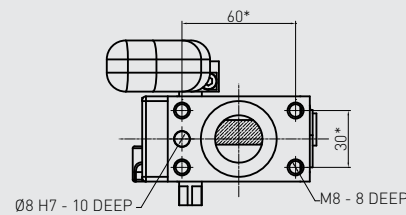
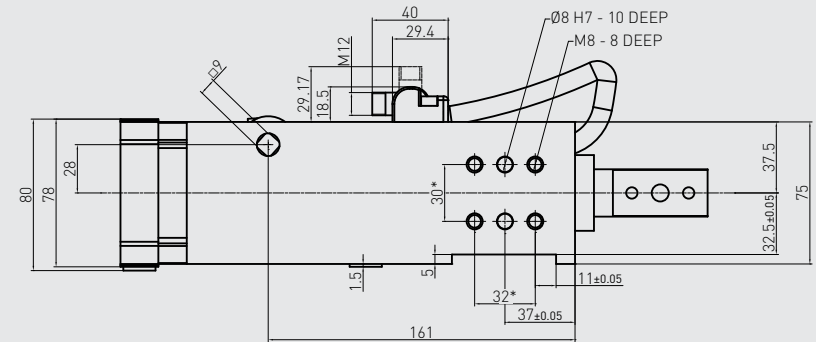
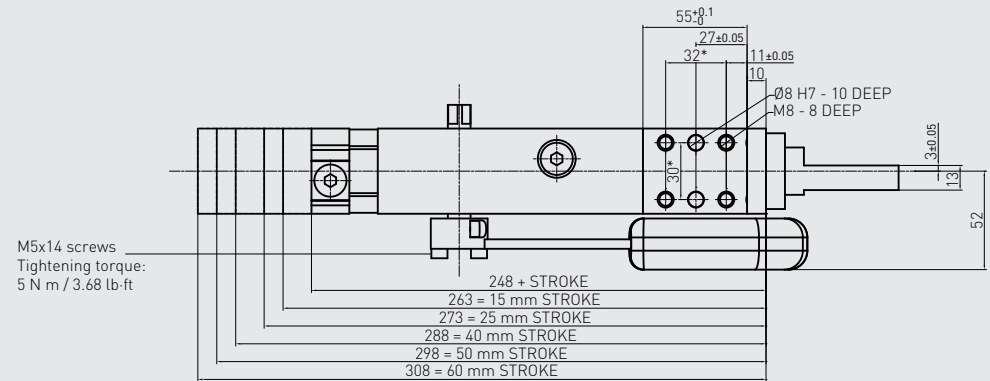
With manual operation

WEIGHT
D1 handle included



* DIMENSIONAL TOLERANCE FOR DOWEL HOLES: ± 0.02
DIMENSIONAL TOLERANCE FOR THREADED HOLES: ± 0.1

REV. 01 - 17/02/2016



Handle swivel angle

Stroke	Maximum handle swivel angle	Minimum handle swivel angle
15	108°	89.2°
25	108°	71°
40	108°	41.4°
50	108°	25.5°
60	108°	0°

Subject to change without notice



* DIMENSIONAL TOLERANCE FOR DOWEL HOLES: ± 0.02
DIMENSIONAL TOLERANCE FOR THREADED HOLES: ± 0.1

REV. 01 - 17/02/2016

INNOVATION DOWN TO THE LAST DETAIL

WEIGHT

D1 handle included

kg
2.85
min. stroke
version

kg
3.1
max. stroke
version

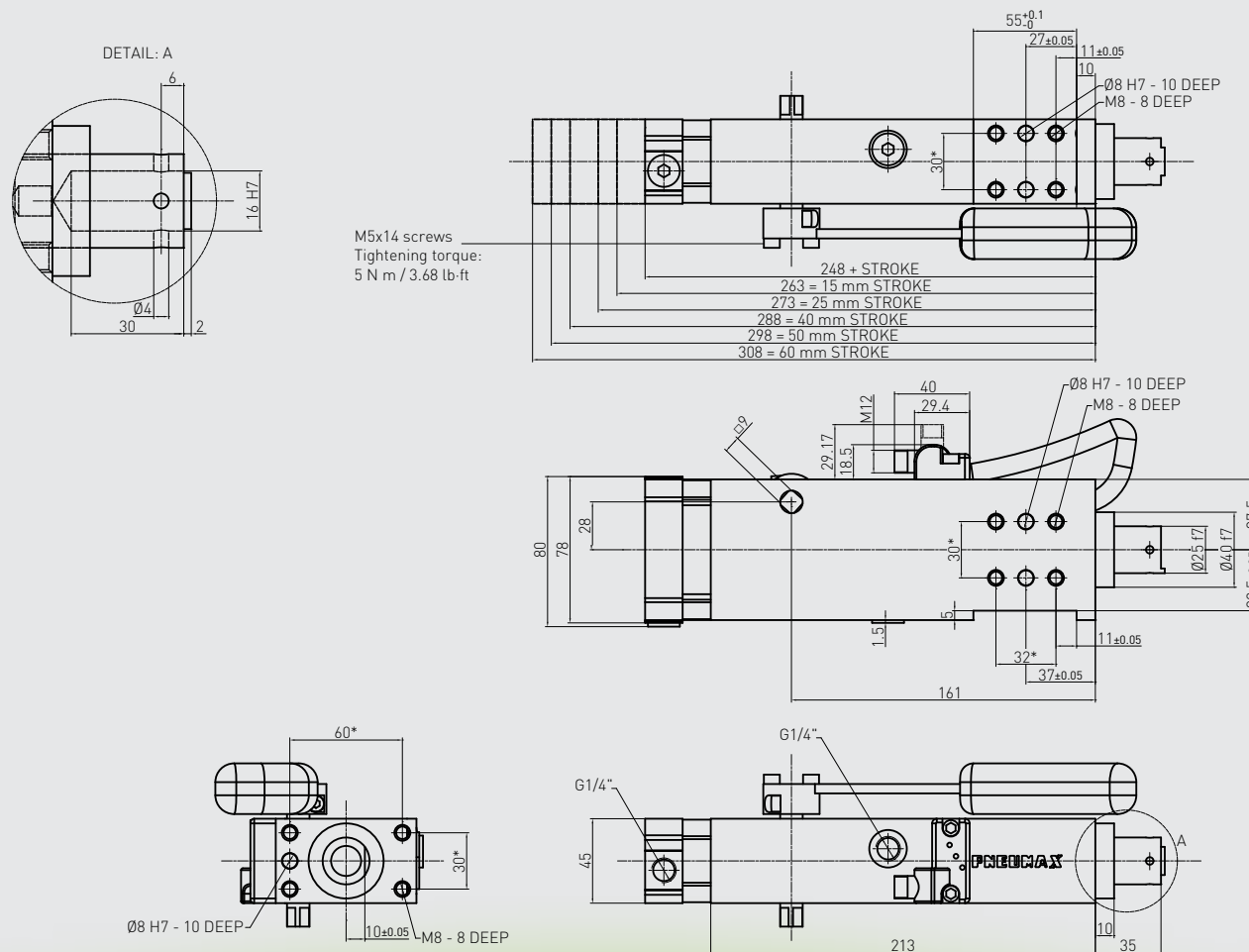
RD150E_4

Retractable locating
pin package

Size 50 mm

Rod termination with key

With manual operation



Handle swivel angle

Stroke	Maximum handle swivel angle	Minimum handle swivel angle
15	108°	89.2°
25	108°	71°
40	108°	41.4°
50	108°	25.5°
60	108°	0°





FUNCTIONAL CHARTS

SIZE 50 mm

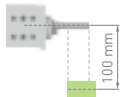
Load position A

horizontal mounting position of the retractable locating pin/load centre on the rod



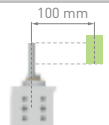
Load position B

horizontal mounting position of the retractable locating pin/load centre at 100 mm from the rod axis



Load position C

vertical mounting position of the retractable locating pin/load centre at 100 mm from the rod axis



Please get in touch with our technical representatives for any application which exceeds the above values, to find the appropriate solution for your application.

Subject to change without notice

Max deflection

Stroke	Load (kg)	Load position A deviation (mm)	Load position B deviation (mm)	Load position C deviation (mm)
60 mm	0.5	0.007	0.012	0.01
	1	0.013	0.025	0.023
	1.5	0.02	0.04	0.036
	2	0.03	0.053	0.049
	2.5	0.038	0.067	0.064
50 mm	0.5	0.006	0.009	0.007
	1	0.013	0.02	0.018
	1.5	0.021	0.032	0.028
	2	0.026	0.047	0.043
	2.5	0.032	0.66	0.057
40 mm	0.5	0.004	0.009	0.004
	1	0.009	0.02	0.009
	1.5	0.013	0.032	0.013
	2	0.018	0.047	0.018
	2.5	0.022	0.66	0.022
25 mm	0.5	0	0.005	0
	1	0.005	0.015	0.005
	1.5	0.007	0.032	0.007
	2	0.011	0.047	0.011
	2.5	0.012	0.66	0.012
15 mm	0.5	0	0.005	0
	1	0.002	0.018	0
	1.5	0.004	0.025	0.002
	2	0.007	0.033	0.006
	2.5	0.012	0.043	0.009
3	0.014	0.052	0.013	

Functional data (at 5 bar / 72.5 psi)

Thrust force	825 N
Pull force	980 N
Max bending moment	3 N m / 2.21 lb-ft
Max distance from the load centre to the rod	200 mm

Cycle time for max stroke

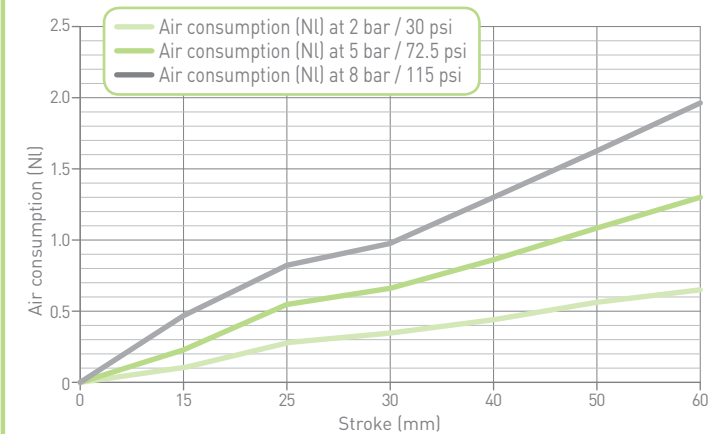
< 0.8 s

NO FLOW VALVE REQUIRED

Air consumption

Air consumption for complete cycle

REV. 00 - 18/06/2015





INNOVATION DOWN TO THE LAST DETAIL

* DIMENSIONAL TOLERANCE FOR DOWEL HOLES: ± 0.02
DIMENSIONAL TOLERANCE FOR THREADED HOLES: ± 0.1

REV. 01 - 29/02/2016

WEIGHT

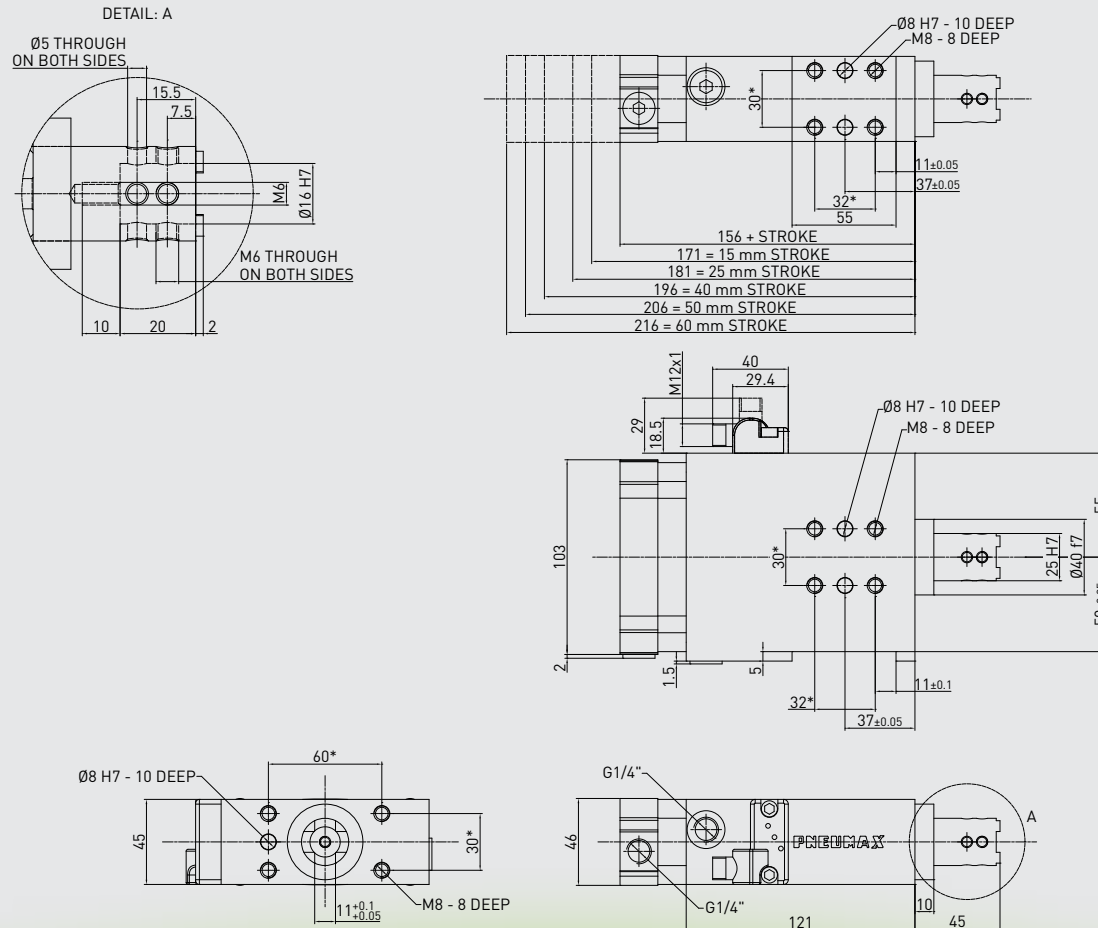
kg 2.45 min. stroke version
kg 2.75 max. stroke version

RP63E_1

Retractable locating pin package

Size 63 mm

$\varnothing 16$ mm cross-cut key rod termination



Technical features

Operating features	
Operating pressure	from 2 to 8 bar / from 30 to 115 psi
Lubrication	all the devices are lubricated for life at the factory. Inline air lubrication isn't required



RP63E_2

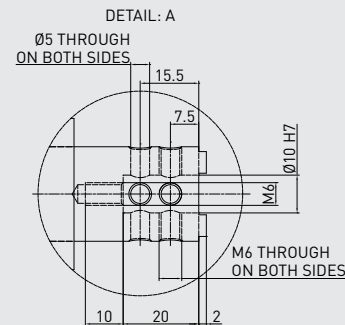
Retractable locating pin package

Size 63 mm

∅ 10 mm cross-cut key rod termination

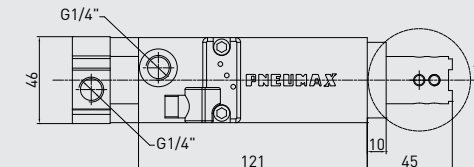
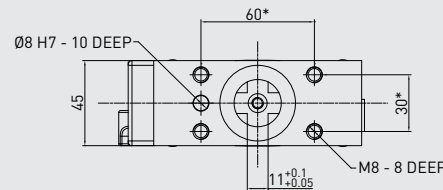
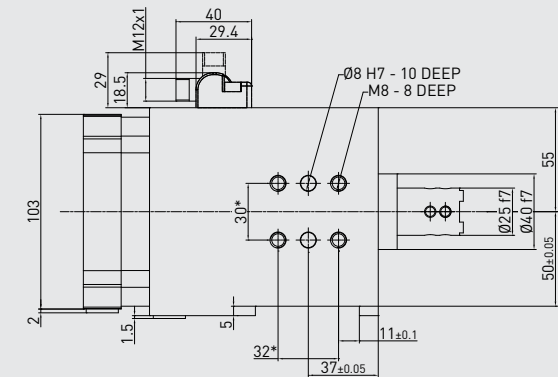
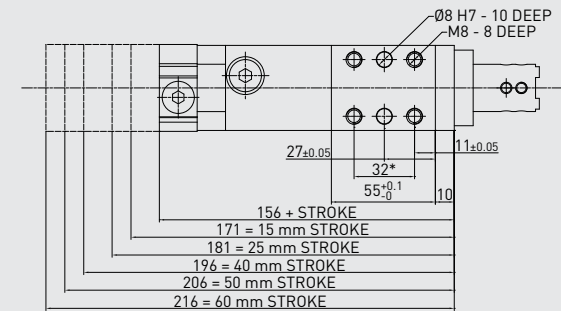
WEIGHT

kg	kg
2.45	2.75
min. stroke version	max. stroke version



* DIMENSIONAL TOLERANCE FOR DOWEL HOLES: ± 0.02
DIMENSIONAL TOLERANCE FOR THREADED HOLES: ± 0.1

REV. 01 - 29/02/2016



Technical features

Operating features	
Operating pressure	from 2 to 8 bar / from 30 to 115 psi
Lubrication	all the devices are lubricated for life at the factory. Inline air lubrication isn't required

Subject to change without notice

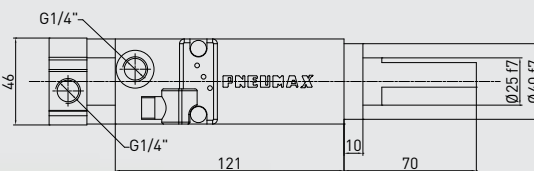
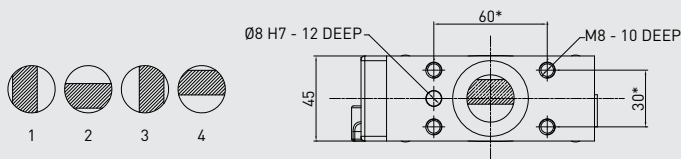
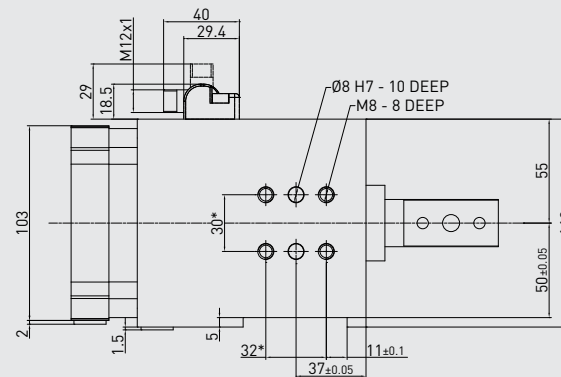
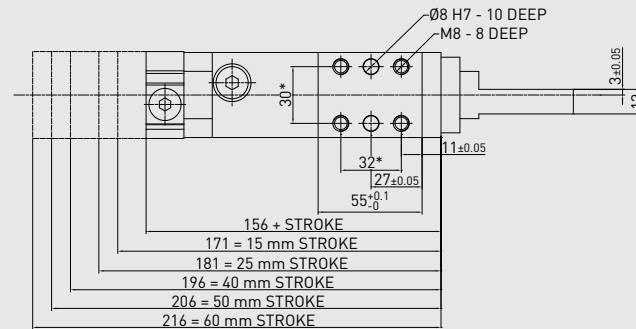


INNOVATION DOWN TO THE LAST DETAIL

* DIMENSIONAL TOLERANCE FOR DOWEL HOLES: ± 0.02
DIMENSIONAL TOLERANCE FOR THREADED HOLES: ± 0.1
REV. 00 - 31/03/2015

WEIGHT

kg 2.45 min. stroke version
kg 2.75 max. stroke version



RP63E_3

Retractable locating pin package

Size 63 mm

Rod termination for offset pins

Technical features

Operating features	
Operating pressure	from 2 to 8 bar / from 30 to 115 psi
Lubrication	all the devices are lubricated for life at the factory. Inline air lubrication isn't required



RP63E_4

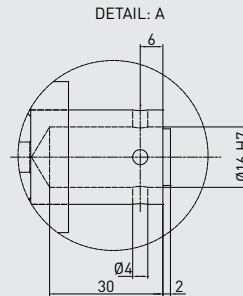
Retractable locating
pin package

Size 63 mm

Rod termination with key

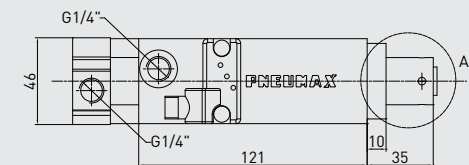
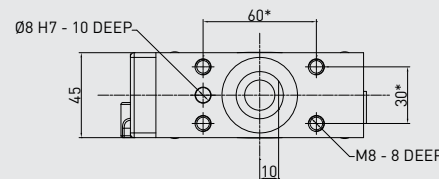
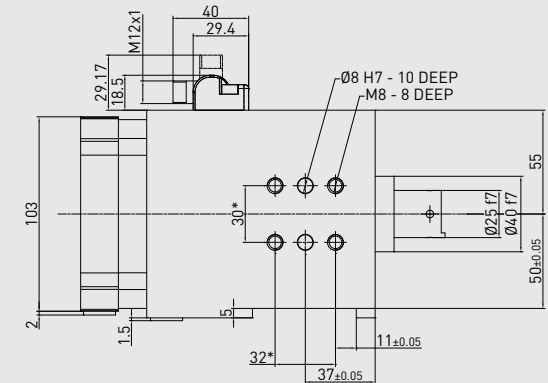
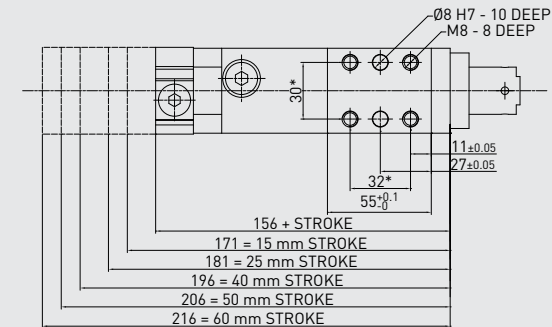
WEIGHT

kg	kg
2.45	2.75
min. stroke version	max. stroke version



* DIMENSIONAL TOLERANCE FOR DOWEL HOLES: ± 0.02
DIMENSIONAL TOLERANCE FOR THREADED HOLES: ± 0.1

REV. 00 - 31/03/2015



Technical features

Operating features	
Operating pressure	from 2 to 8 bar / from 30 to 115 psi
Lubrication	all the devices are lubricated for life at the factory. Inline air lubrication isn't required

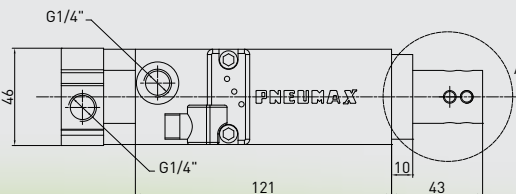
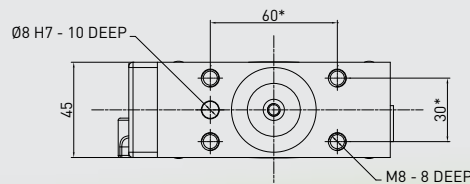
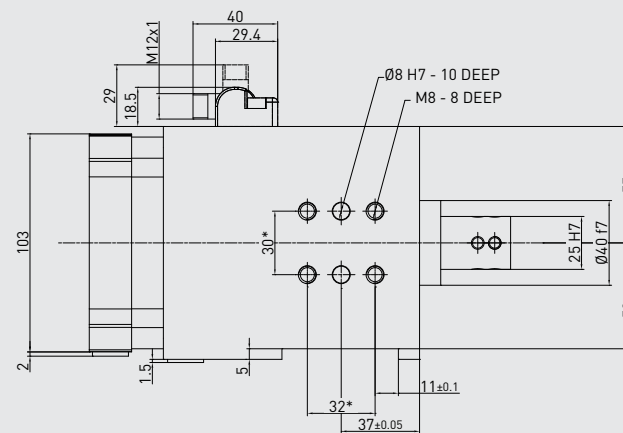
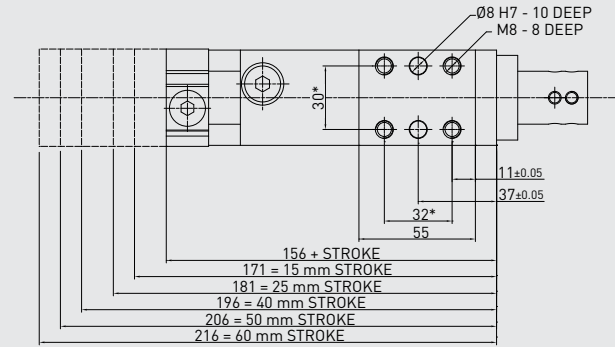
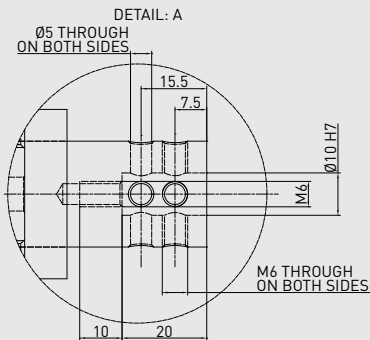
Subject to change
without notice



INNOVATION DOWN TO THE LAST DETAIL

* DIMENSIONAL TOLERANCE FOR DOWEL HOLES: ± 0.02
DIMENSIONAL TOLERANCE FOR THREADED HOLES: ± 0.1

REV. 00 -15/03/2016



WEIGHT

kg
2.45
min. stroke
version

kg
2.75
max. stroke
version

RP63E_5

Retractable locating
pin package

Size 63 mm

∅ 10 mm flat termination

Technical features

Operating features

Operating pressure from 2 to 8 bar / from 30 to 115 psi

Lubrication all the devices are lubricated for life at the factory. Inline air lubrication isn't required





RP63E_6

Retractable locating
pin package

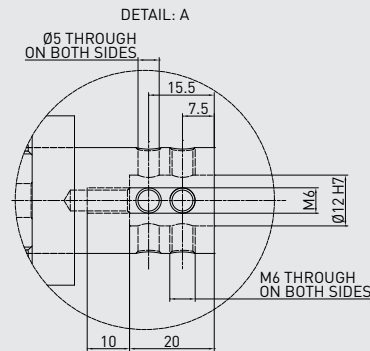
Size 63 mm

∅ 12 mm flat termination

WEIGHT

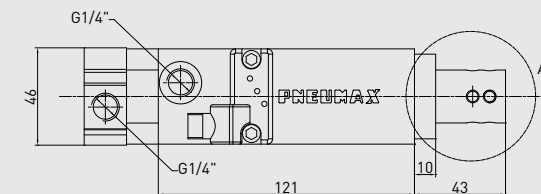
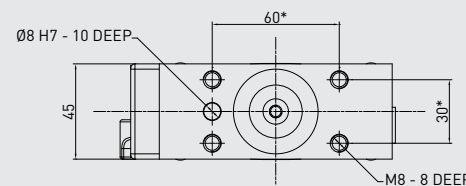
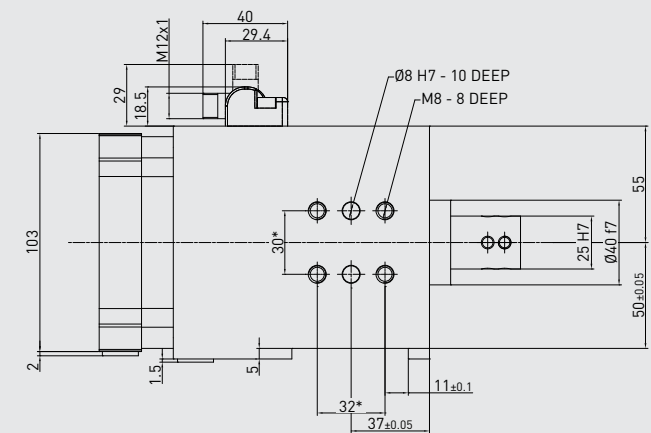
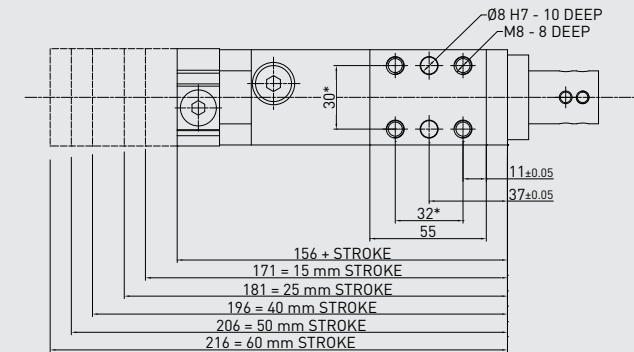
kg 2.45
min. stroke
version

kg 2.75
max. stroke
version



* DIMENSIONAL TOLERANCE FOR DOWEL HOLES: ± 0.02
DIMENSIONAL TOLERANCE FOR THREADED HOLES: ± 0.1

REV. 00 - 15/03/2016



Technical features

Operating features	
Operating pressure	from 2 to 8 bar / from 30 to 115 psi
Lubrication	all the devices are lubricated for life at the factory. Inline air lubrication isn't required

Subject to change
without notice



FUNCTIONAL CHARTS

SIZE 63 mm

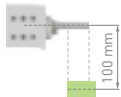
Load position A

horizontal mounting position of the retractable locating pin/load centre on the rod



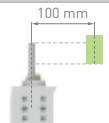
Load position B

horizontal mounting position of the retractable locating pin/load centre at 100 mm from the rod axis



Load position C

vertical mounting position of the retractable locating pin/load centre at 100 mm from the rod axis



Please get in touch with our technical representatives for any application which exceeds the above values, to find the appropriate solution for your application.

Max deflection

Stroke	Load (kg)	Load position A deviation (mm)	Load position B deviation (mm)	Load position C deviation (mm)
60 mm	0.5	0.007	0.012	0.01
	1	0.013	0.025	0.023
	1.5	0.02	0.04	0.036
	2	0.03	0.053	0.049
	2.5	0.038	0.067	0.064
50 mm	0.5	0.006	0.009	0.007
	1	0.013	0.02	0.018
	1.5	0.021	0.032	0.028
	2	0.026	0.047	0.043
	2.5	0.032	0.66	0.057
40 mm	0.5	0.004	0.009	0.004
	1	0.009	0.02	0.009
	1.5	0.013	0.032	0.013
	2	0.018	0.047	0.018
	2.5	0.022	0.66	0.022
25 mm	0.5	0	0.005	0
	1	0.005	0.015	0.005
	1.5	0.007	0.032	0.007
	2	0.011	0.047	0.011
	2.5	0.012	0.66	0.012
15 mm	0.5	0	0.005	0
	1	0.002	0.018	0
	1.5	0.004	0.025	0.002
	2	0.007	0.033	0.006
	2.5	0.012	0.043	0.009
3	0.014	0.052	0.013	

Functional data (at 5 bar / 72.5 psi)

Thrust force	1,400 N
Pull force	1,555 N
Max bending moment	3 N m / 2.21 lb-ft
Max distance from the load centre to the rod	200 mm

Cycle time for max stroke

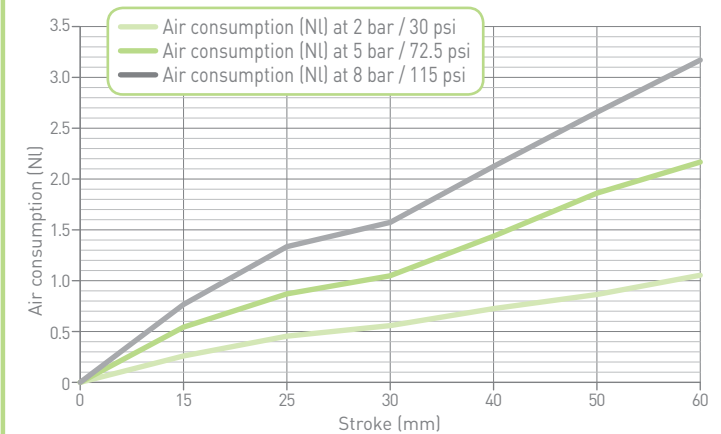
< 0.8 s



Air consumption

Air consumption for complete cycle

REV. 00 - 31/03/2015



Subject to change without notice



WHY PNX

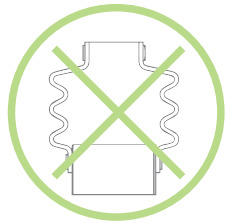
RC-SERIES



Retractable locating pin packages
with **CNOMO** mounting pattern



✓ Accurate positioning devices with
**TWIN LINEAR ROD
GUIDING BUSHINGS**



✓ HIGH PROTECTION AGAINST WELD
SPATTER, DIRT AND COOLANTS
> NO BELLOWS REQUIRED

✓ MAINTENANCE FREE DEVICES





ORDERING STRING

RC-SERIES CNOMO

RC 50 C 25 1 G

VERSION

RC = retractable locating pin package with CNOMO mounting pattern

SIZE

50 = Ø 50 mm
63 = Ø 63 mm

SENSOR

C = CNOMO sensor
N = no sensor

STROKE

25 = 25 mm
50 = 50 mm

ROD TERMINATION

1 = iØ 12 mm rod termination
2 = iØ 20 mm rod termination

PORTS

G = GAS
D = dual GAS ports on rear end cap



Subject to change without notice



CNOMO

RC50__1

Retractable locating pin package with CNOMO mounting pattern

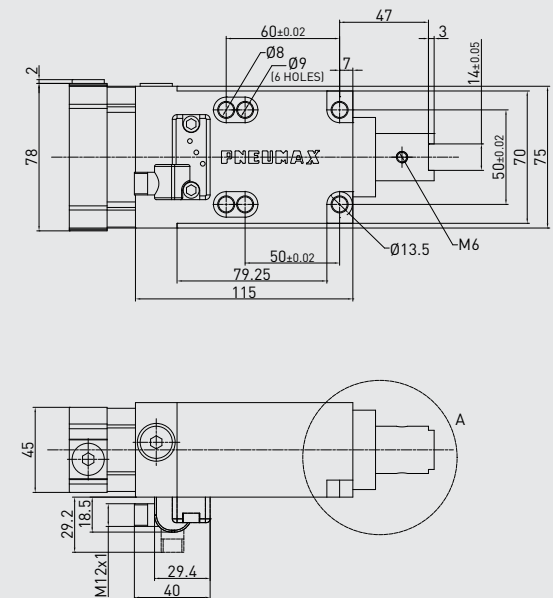
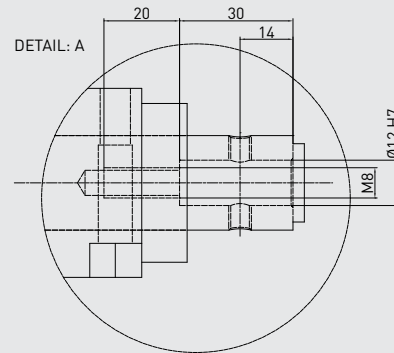
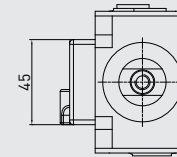
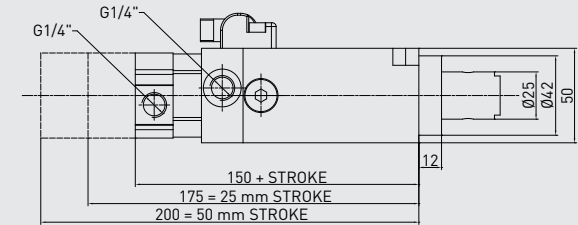
Size 50 mm

∅ 12 mm rod termination

WEIGHT

kg 1.8 min. stroke version

kg 1.9 max. stroke version



Technical features

Operating features	
Operating pressure	from 2 to 8 bar / from 30 to 115 psi
Lubrication	all the devices are lubricated for life at the factory. Inline air lubrication isn't required

Subject to change without notice



REV. 01 - 22/10/2015

INNOVATION DOWN TO THE LAST DETAIL

WEIGHT

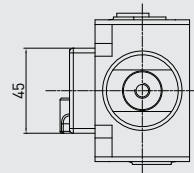
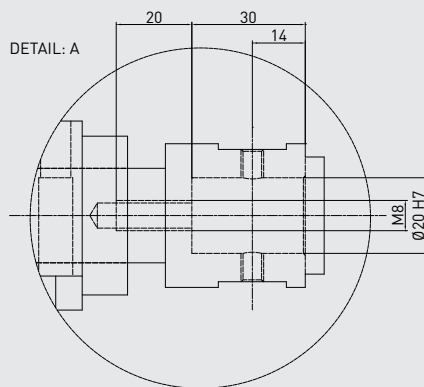
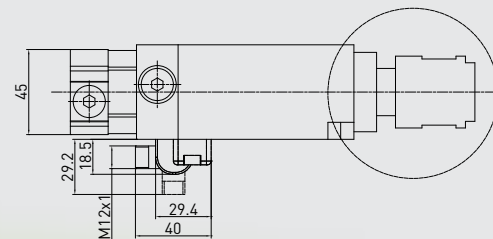
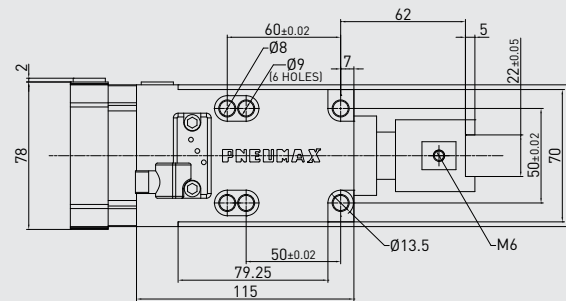
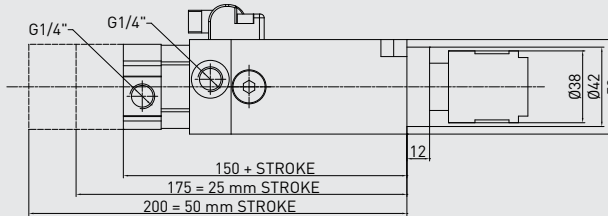


RC50__2

Retractable locating pin package with CNOMO mounting pattern

Size 50 mm

∅ 20 mm rod termination



Technical features

Operating features	
Operating pressure	from 2 to 8 bar / from 30 to 115 psi
Lubrication	all the devices are lubricated for life at the factory. Inline air lubrication isn't required

Subject to change without notice





CNOMO

RC63__1

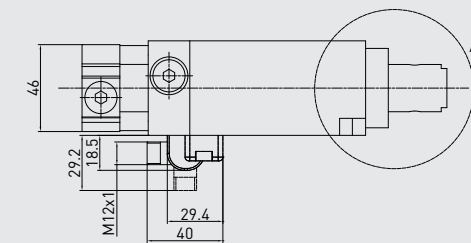
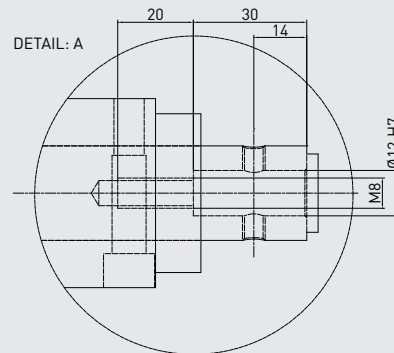
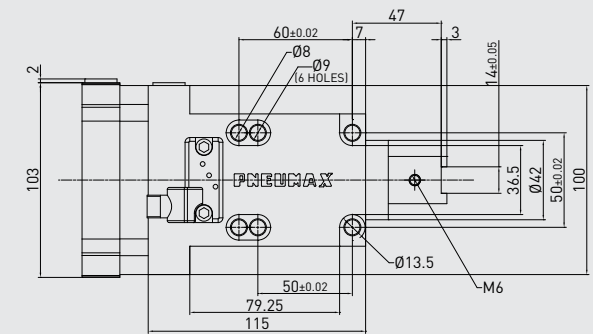
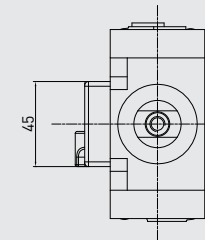
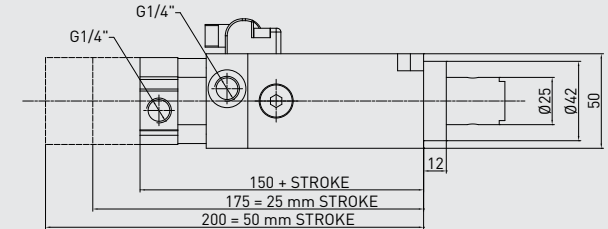
Retractable locating pin package with CNOMO mounting pattern

Size 63 mm

∅ 12 mm rod termination

WEIGHT

min. stroke version	max. stroke version



Technical features

Operating features	
Operating pressure	from 2 to 8 bar / from 30 to 115 psi
Lubrication	all the devices are lubricated for life at the factory. Inline air lubrication isn't required

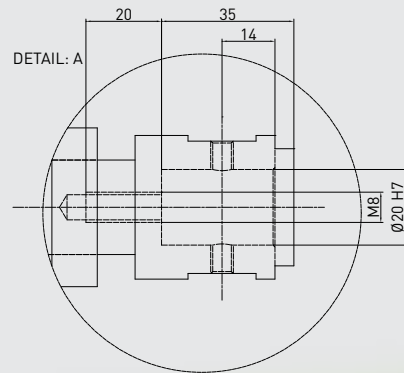
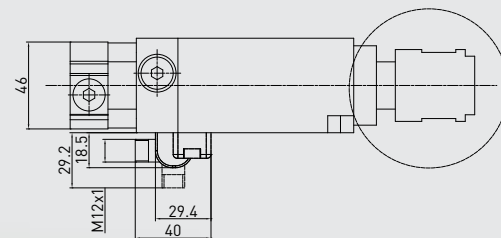
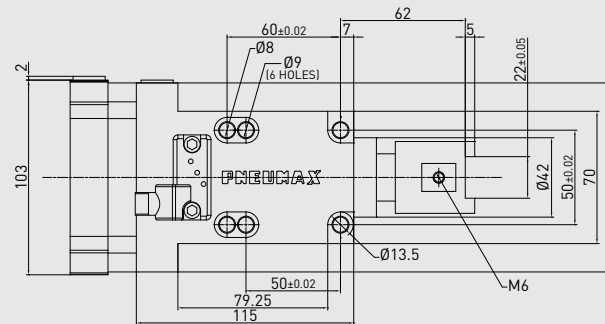
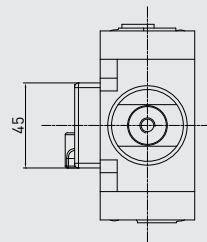
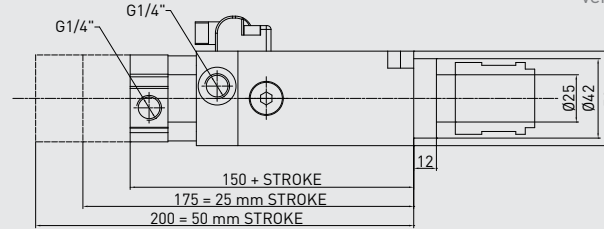
Subject to change without notice



REV. 01 - 22/10/2015

INNOVATION DOWN TO THE LAST DETAIL

WEIGHT



RC63__2

Retractable locating pin package with CNOMO mounting pattern

Size 63 mm

∅ 20 mm rod termination

Technical features

Operating features	
Operating pressure	from 2 to 8 bar / from 30 to 115 psi
Lubrication	all the devices are lubricated for life at the factory. Inline air lubrication isn't required

Subject to change without notice





FUNCTIONAL CHARTS

RC-SERIES

Load position A

horizontal mounting position of the retractable locating pin/load centre on the rod



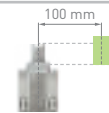
Load position B

horizontal mounting position of the retractable locating pin/load centre at 100 mm from the rod axis



Load position C

vertical mounting position of the retractable locating pin/load centre at 100 mm from the rod axis



Max deflection (RC50E - RC63E)

Stroke	Load (kg)	Load position A deviation (mm)	Load position B deviation (mm)	Load position C deviation (mm)
50 mm	0.5	0.006	0.009	0.007
	1	0.013	0.02	0.018
	1.5	0.021	0.032	0.028
	2	0.026	0.047	0.043
	2.5	0.032	0.66	0.057
	3	0.037	0.075	0.068
25 mm	0.5	0	0.005	0
	1	0.005	0.015	0.005
	1.5	0.007	0.032	0.007
	2	0.011	0.047	0.011
	2.5	0.012	0.66	0.012
	3	0.014	0.075	0.014

Functional data (at 5 bar / 72.5 psi)

	RC50E	RC63E
Thrust force	825 N	1,400 N
Pull force	980 N	1,555 N
Max bending moment	3 N m / 2.21 lb-ft	3 N m / 2.21 lb-ft
Max distance from the load centre to the rod	200 mm	200 mm

Cycle time for max stroke

< 0.8 s



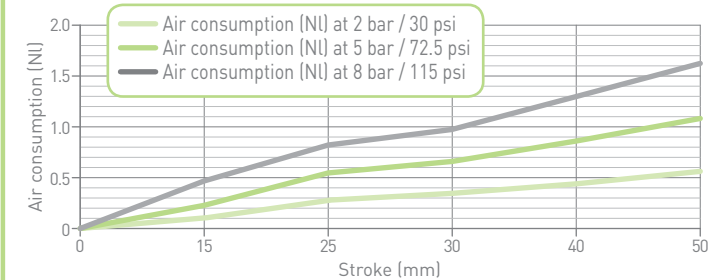
Please get in touch with our technical representatives for any application which exceeds the above values, to find the appropriate solution for your application.

Subject to change without notice

Air consumption (RC50E)

Air consumption for complete cycle

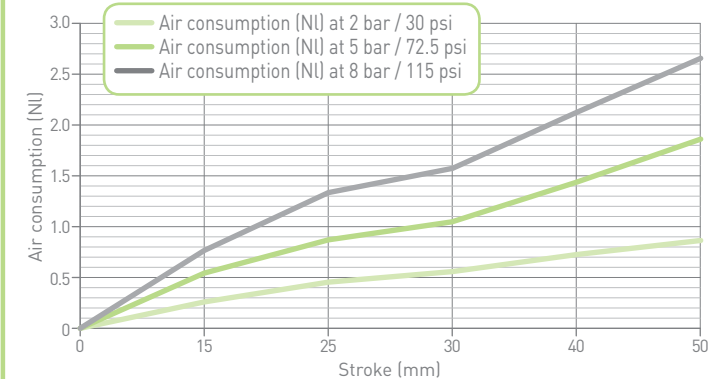
REV. 00 - 31/03/2015



Air consumption (RC63E)

Air consumption for complete cycle

REV. 00 - 31/03/2015



WHY PNX

HIGH PERFORMANCE HP-SERIES

INNOVATION DOWN TO THE LAST DETAIL



Higher level of **pull force**, for all the applications where due to metal sheet tolerances, a higher level of force is required during the retracting movement, in order to disengage to the pin.

This solution is highly efficient for all the **applications** when **tensions** arise **in the metal sheet** during the machining process. Equipped with a **tandem cylinder** to improve the pull force.

COMPACT DESIGN

Even though these pin packages are equipped with a tandem cylinder, their overall dimensions still remain in line with the state of the art.

REPETITION ACCURACY





ORDERING STRING HP-SERIES

HP | **50** | **E** | **40** | **3** | **D**

VERSION

HP = High Performance retractable locating pin package

SIZE

50 = Ø 50 mm

SENSOR

E = electronic sensor with M12 swivel connector - PNP
A = electronic sensor with M12 swivel connector - NPN
N = no sensor
B = electronic sensor with M8 swivel connector - PNP

STROKE

15 = 15 mm
25 = 25 mm
40 = 40 mm
50 = 50 mm
60 = 60 mm

ROD TERMINATION





1 = iØ 16 mm cross-cut key rod termination
2 = iØ 10 mm cross-cut key rod termination
3 = rod termination for offset pins
4 = rod termination with key
5 = iØ 10 mm flat termination
6 = iØ 12 mm flat termination

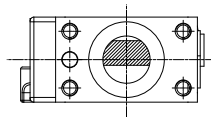
PORTS

G = GAS
D = dual GAS ports on rear end cap



ROD ORIENTATION (FOR TERMINATION TYPE 3)

1 = 
2 = 
3 = 
4 = 

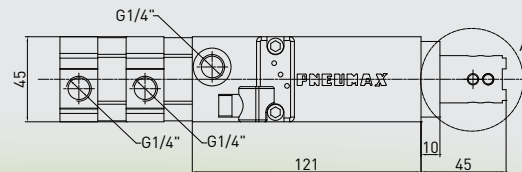
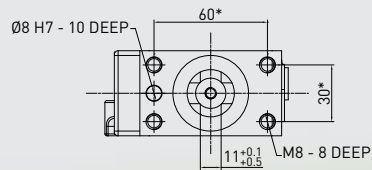
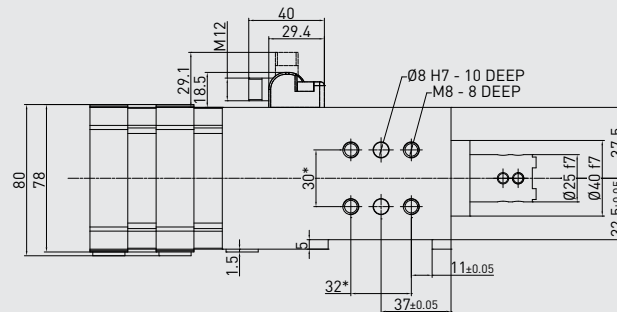
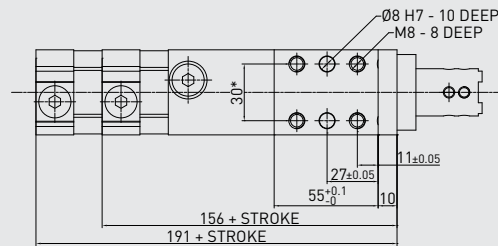
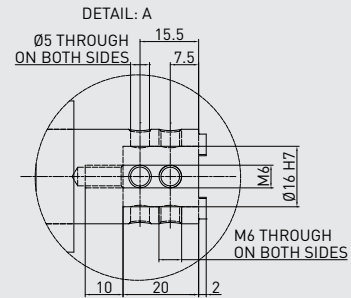


Subject to change without notice



* DIMENSIONAL TOLERANCE FOR DOWEL HOLES: ± 0.02
DIMENSIONAL TOLERANCE FOR THREADED HOLES: ± 0.1

REV. 01 - 26/02/2016



INNOVATION DOWN TO THE LAST DETAIL

WEIGHT



HP50E_1

High Performance
retractable locating
pin package

Size 50 mm

\varnothing 16 mm cross-cut
key rod termination

Technical features

Operating features	
Operating pressure	from 2 to 8 bar / from 30 to 115 psi
Lubrication	all the devices are lubricated for life at the factory. Inline air lubrication isn't required

Subject to change
without notice





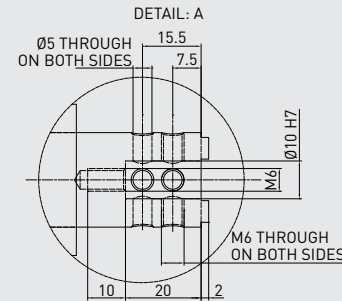
HP50E_2

High Performance retractable locating pin package

Size 50 mm

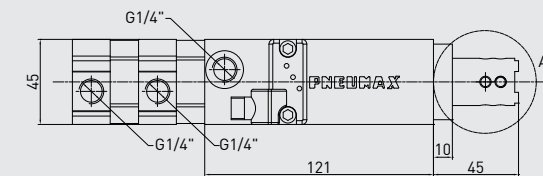
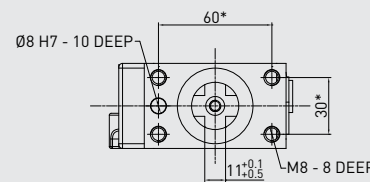
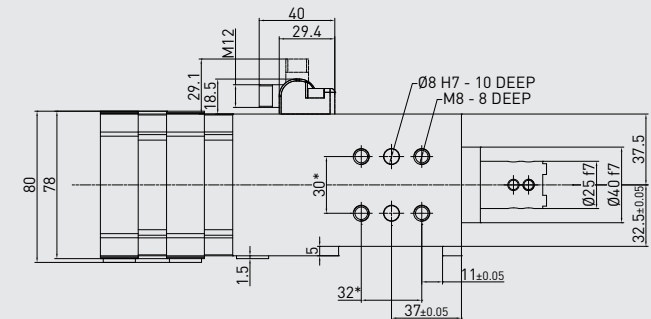
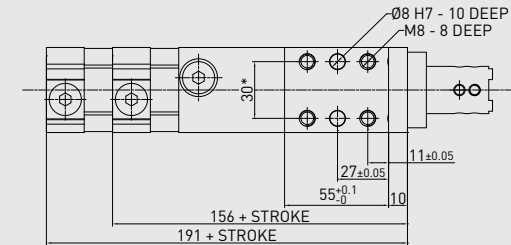
∅ 10 mm cross-cut key rod termination

WEIGHT
kg
2.2
 min. stroke version
kg
2.5
 max. stroke version



* DIMENSIONAL TOLERANCE FOR DOWEL HOLES: ±0.02
 DIMENSIONAL TOLERANCE FOR THREADED HOLES: ±0.1

REV. 01 - 26/02/2016



Technical features

Operating features	
Operating pressure	from 2 to 8 bar / from 30 to 115 psi
Lubrication	all the devices are lubricated for life at the factory. Inline air lubrication isn't required

Subject to change without notice



INNOVATION DOWN TO THE LAST DETAIL

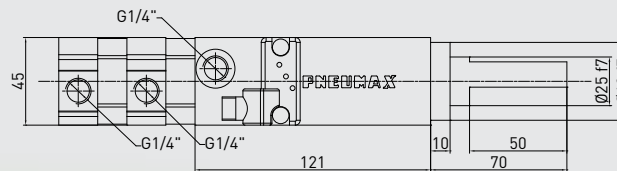
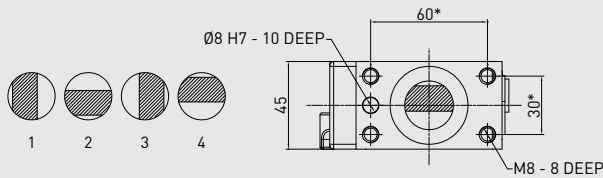
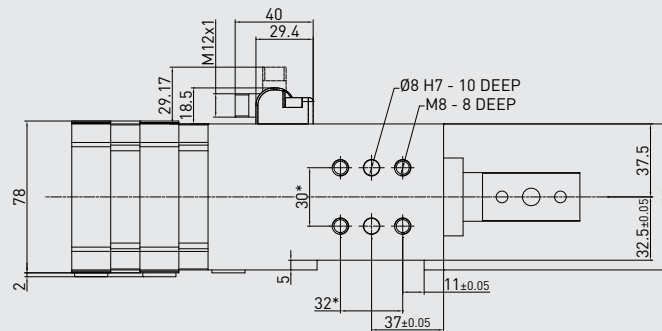
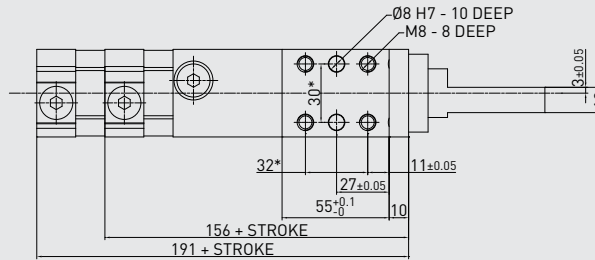
* DIMENSIONAL TOLERANCE FOR DOWEL HOLES: ± 0.02
DIMENSIONAL TOLERANCE FOR THREADED HOLES: ± 0.1
REV. 00 - 31/03/2015

WEIGHT



HP50E_3

High Performance retractable locating pin package
Size 50 mm
Rod termination for offset pins



Technical features

Operating features	
Operating pressure	from 2 to 8 bar / from 30 to 115 psi
Lubrication	all the devices are lubricated for life at the factory. Inline air lubrication isn't required

Subject to change without notice





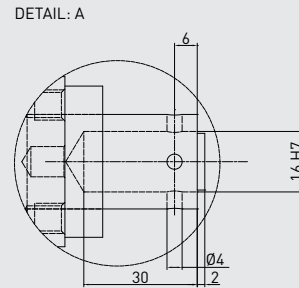
HP50E_4

High Performance retractable locating pin package

Size 50 mm

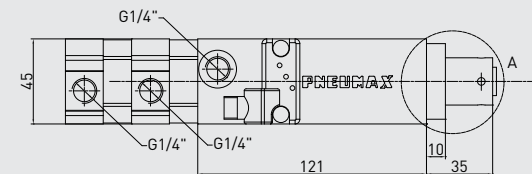
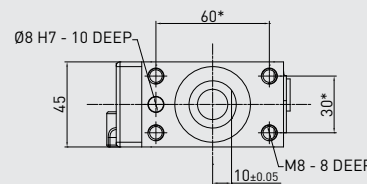
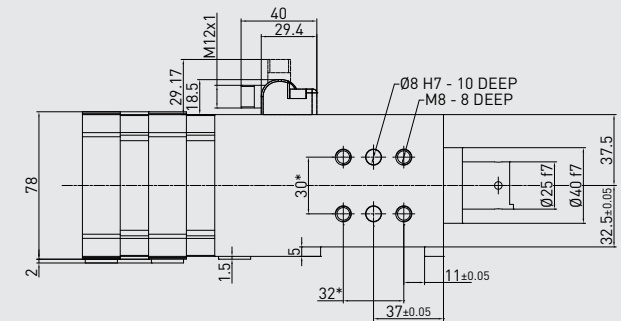
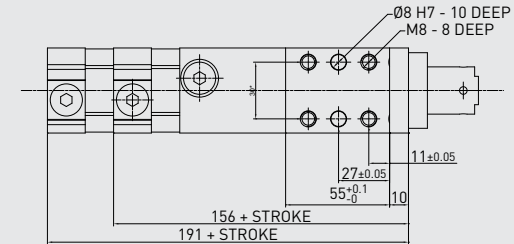
Rod termination with key

WEIGHT
 kg 2.2 min. stroke version
 kg 2.5 max. stroke version



* DIMENSIONAL TOLERANCE FOR DOWEL HOLES: ± 0.02
 DIMENSIONAL TOLERANCE FOR THREADED HOLES: ± 0.1

REV. 00 - 31/03/2015



Technical features

Operating features	
Operating pressure	from 2 to 8 bar / from 30 to 115 psi
Lubrication	all the devices are lubricated for life at the factory. Inline air lubrication isn't required

Subject to change without notice



INNOVATION DOWN TO THE LAST DETAIL



FUNCTIONAL CHARTS

SIZE 50 mm

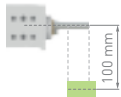
Load position A

horizontal mounting position of the retractable locating pin/load centre on the rod



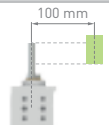
Load position B

horizontal mounting position of the retractable locating pin/load centre at 100 mm from the rod axis



Load position C

vertical mounting position of the retractable locating pin/load centre at 100 mm from the rod axis



Please get in touch with our technical representatives for any application which exceeds the above values, to find the appropriate solution for your application.

Max deflection

Stroke	Load (kg)	Load position A deviation (mm)	Load position B deviation (mm)	Load position C deviation (mm)
60 mm	0.5	0.007	0.012	0.01
	1	0.013	0.025	0.023
	1.5	0.02	0.04	0.036
	2	0.03	0.053	0.049
	2.5	0.038	0.067	0.064
50 mm	0.5	0.006	0.009	0.007
	1	0.013	0.02	0.018
	1.5	0.021	0.032	0.028
	2	0.026	0.047	0.043
	2.5	0.032	0.66	0.057
40 mm	0.5	0.004	0.009	0.004
	1	0.009	0.02	0.009
	1.5	0.013	0.032	0.013
	2	0.018	0.047	0.018
	2.5	0.022	0.66	0.022
25 mm	0.5	0	0.005	0
	1	0.005	0.015	0.005
	1.5	0.007	0.032	0.007
	2	0.011	0.047	0.011
	2.5	0.012	0.66	0.012
15 mm	0.5	0	0.005	0
	1	0.002	0.018	0
	1.5	0.004	0.025	0.002
	2	0.007	0.033	0.006
	2.5	0.012	0.043	0.009
3	0.014	0.052	0.013	

Functional data (at 5 bar / 72.5 psi)

Thrust force	825 N
Pull force	1,960 N
Max bending moment	3 N m / 2.21 lb-ft
Max distance from the load centre to the rod	200 mm

Cycle time for max stroke

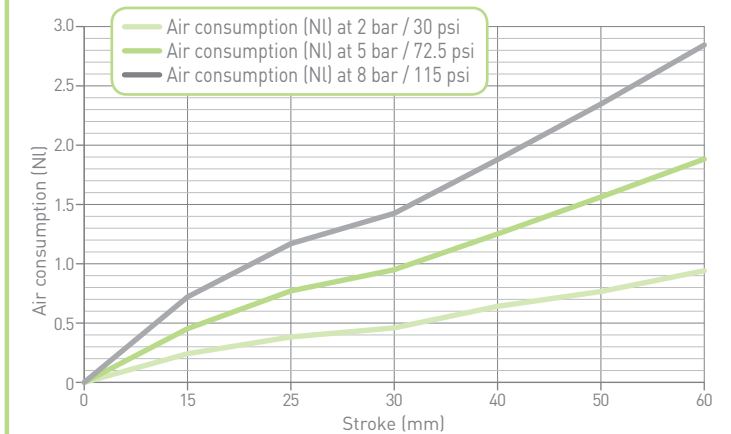
< 0.8 s



Air consumption

Air consumption for complete cycle

REV. 00 - 31/03/2015



Subject to change without notice



WHY
PNX

F-SERIES

ADVANTAGES

RETRACTABLE LOCATING PIN PACKAGES WITH DUAL RODS

- ✓ Extra light product: **20%** lighter than competing solutions
- ✓ Extremely low deflection value
- ✓ Higher side load acceptance
- ✓ Designed and manufactured to maximize durability and performance: robust and reliable
- ✓ 180° rod orientation
- ✓ Metal rod scrapers for long life in the toughest environments: for a reliable removing of any trace of weld slag from the heat treated rods
- ✓ No galling > maximum process reliability





ORDERING STRING

F-SERIES 40

F **P** **40** **E** **20** **3** **D**



VERSION

F = retractable locating pin package with dual rod

OPERATION

P = pneumatic

SIZE

40 = Ø 40 mm mounting pattern 35x25 mm

41 = Ø 40 mm mounting pattern 30x25 mm

SENSOR

E = electronic sensor with M12 swivel connector - PNP

A = electronic sensor with M12 swivel connector - NPN

N = no sensor

B = electronic sensor with M8 swivel connector - PNP

STROKE

20 = 20 mm

40 = 40 mm

ROD TERMINATION

1 = rod termination type 3 with improved radius

2 = rod termination type 7 with improved radius

3 = rod termination for offset pins

7 = rod termination for offset pins - with 4 dowel holes (see datasheet)

PORTS

G = GAS

D = dual GAS ports on rear end cap



Subject to change without notice



* DIMENSIONAL TOLERANCE FOR DOWEL HOLES: ± 0.02
DIMENSIONAL TOLERANCE FOR THREADED HOLES: ± 0.1

REV. 01 06/04/2017



FP40E__1/2/3/7

Retractable locating pin package with dual rod

Size 40 mm

Mounting pattern

35x25 mm

Rod termination for offset pins

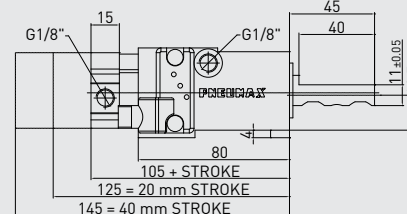
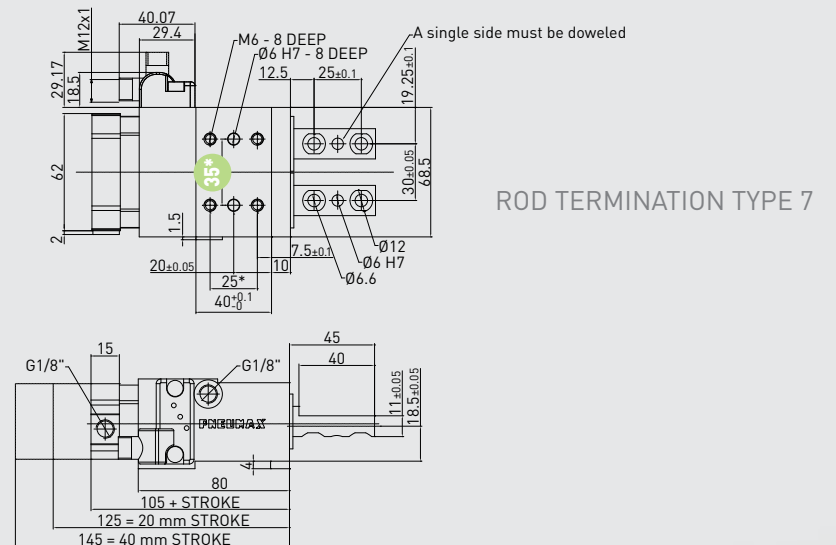
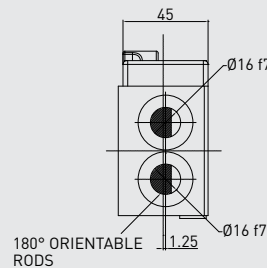
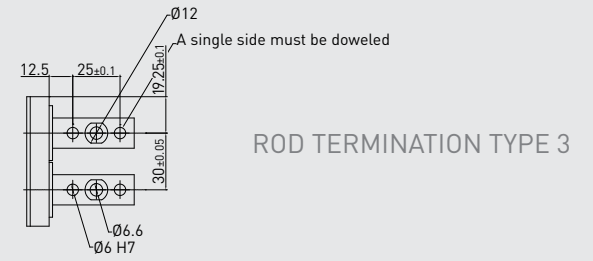
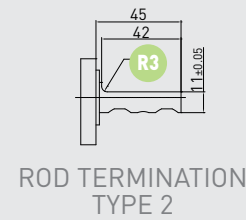
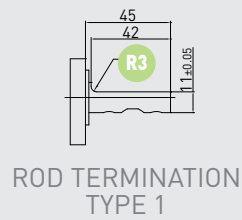


With improved radius for demanding applications

Technical features

Operating features	
Operating pressure	from 2 to 8 bar / from 30 to 115 psi
Lubrication	all the devices are lubricated for life at the factory. Inline air lubrication isn't required

Subject to change without notice

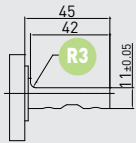




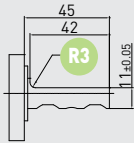
INNOVATION DOWN TO THE LAST DETAIL

* DIMENSIONAL TOLERANCE FOR DOWEL HOLES: ± 0.02
DIMENSIONAL TOLERANCE FOR THREADED HOLES: ± 0.1

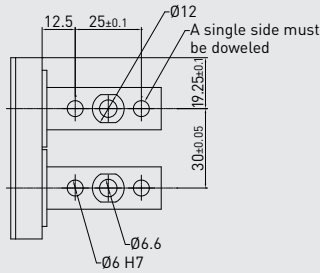
REV. 01 06/04/2017



ROD TERMINATION TYPE 1



ROD TERMINATION TYPE 2



ROD TERMINATION TYPE 3

FP41E__1/2/3/7

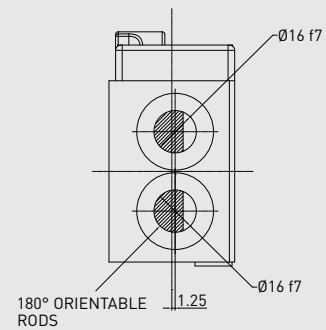
Retractable locating pin package with dual rod

Size 41 mm

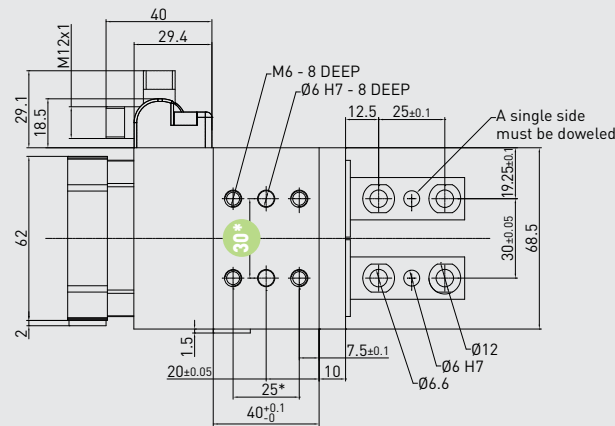
Mounting pattern

30x25 mm

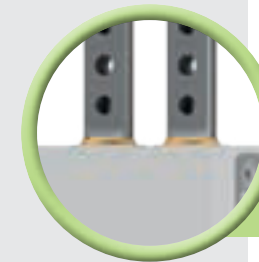
Rod termination for offset pins



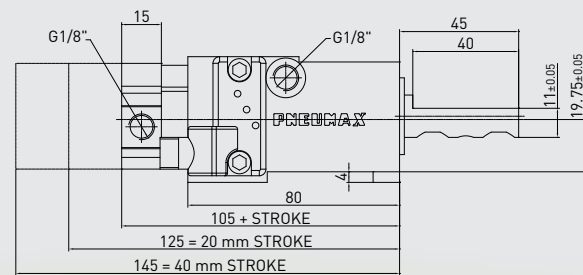
180° ORIENTABLE RODS



ROD TERMINATION TYPE 7



With improved radius for demanding applications



Technical features

Operating features	
Operating pressure	from 2 to 8 bar / from 30 to 115 psi
Lubrication	all the devices are lubricated for life at the factory. Inline air lubrication isn't required

Subject to change without notice





FUNCTIONAL CHARTS

SIZE 40-41 mm

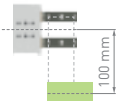
Load position A

horizontal mounting position of the retractable locating pin/load centre on the rod



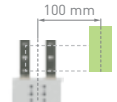
Load position B

horizontal mounting position of the retractable locating pin/load centre at 100 mm from the rod axis



Load position C

vertical mounting position of the retractable locating pin/load centre at 100 mm from the rod axis



Please get in touch with our technical representatives for any application which exceeds the above values, to find the appropriate solution for your application.

Subject to change without notice

Max deflection

Stroke	Load (kg)	Load position A deviation (mm)	Load position B deviation (mm)	Load position C deviation (mm)
40 mm	0.5	0.004	0.021	0.003
	1	0.01	0.05	0.01
	1.5	0.015	0.08	0.019
	2	0.022	0.122	0.028
	2.5	0.03	0.158	0.037
20 mm	3	0.035	0.195	0.046
	0.5	0.004	0.013	0.005
	1	0.009	0.035	0.008
	1.5	0.013	0.053	0.011
	2	0.017	0.083	0.017
	2.5	0.021	0.107	0.021
	3	0.026	0.13	0.025

Functional data (at 5 bar / 72.5 psi)

Thrust force	430 N
Pull force	630 N
Max bending moment	3 N m / 2.21 lb-ft
Max distance from the load centre to the rod	200 mm

Cycle time for max stroke

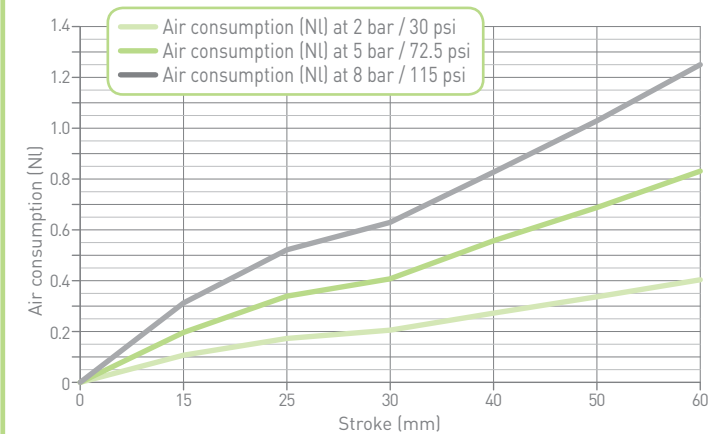
< 0.8 s

NO FLOW VALVE REQUIRED

Air consumption

Air consumption for complete cycle

REV. 00 - 31/03/2015





ORDERING STRING

F-SERIES 63

F **P** **63** **E** **60** **3** **D**

VERSION

F = retractable locating pin package with dual rod

OPERATION

P = pneumatic

SIZE

63 = $\varnothing 63$ mm

SENSOR

E = electronic sensor with M12 swivel connector - PNP
A = electronic sensor with M12 swivel connector - NPN
N = no sensor
B = electronic sensor with M8 swivel connector - PNP

STROKE

15 = 15 mm
25 = 25 mm
40 = 40 mm
50 = 50 mm
60 = 60 mm

ROD TERMINATION

1 = rod termination type 3 with improved radius
3 = rod termination for offset pins

PORTS

G = GAS
D = dual GAS ports on rear end cap



Subject to change without notice

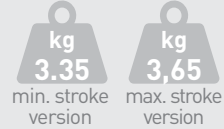


* DIMENSIONAL TOLERANCE FOR DOWEL HOLES: ± 0.02
DIMENSIONAL TOLERANCE FOR THREADED HOLES: ± 0.1

REV. 01 - 10/04/2017



WEIGHT

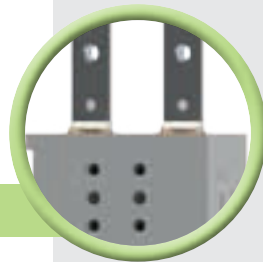


FP63E__1/3

Retractable locating pin package with dual rod

Size 63 mm

Rod termination for offset pins

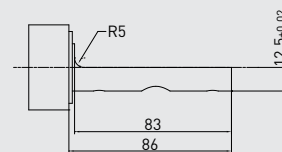
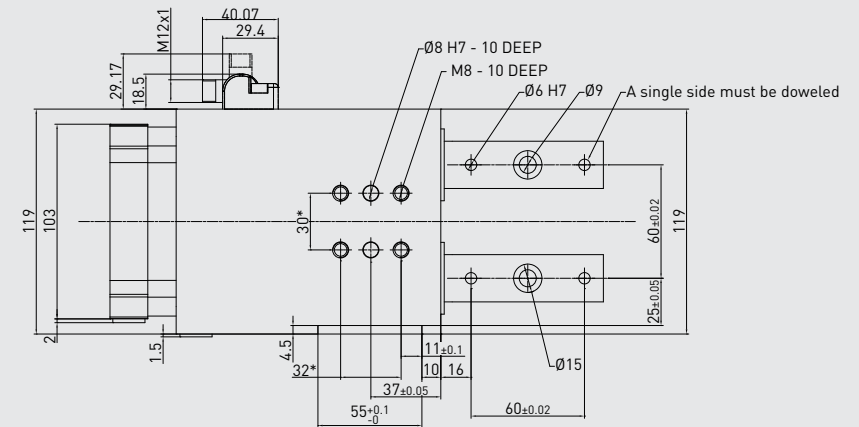
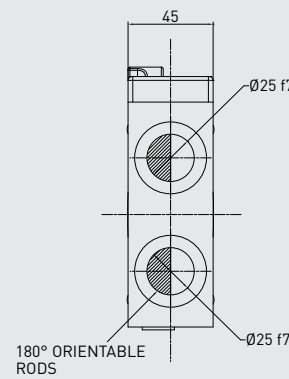
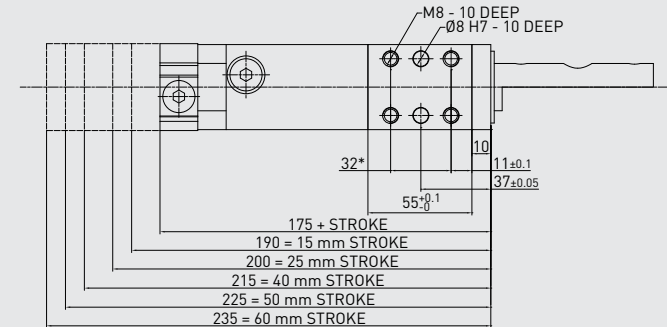


With improved radius for demanding applications

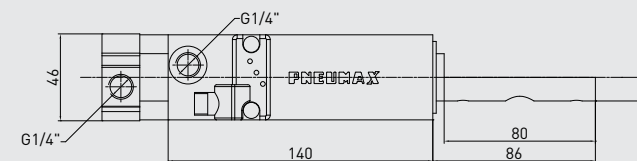
Technical features

Operating features	
Operating pressure	from 2 to 8 bar / from 30 to 115 psi
Lubrication	all the devices are lubricated for life at the factory. Inline air lubrication isn't required

Subject to change without notice



ROD TERMINATION 1



ROD TERMINATION 3



FUNCTIONAL CHARTS

SIZE 63 mm

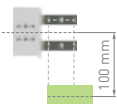
Load position A

horizontal mounting position of the retractable locating pin/load centre on the rod



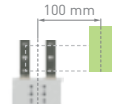
Load position B

horizontal mounting position of the retractable locating pin/load centre at 100 mm from the rod axis



Load position C

vertical mounting position of the retractable locating pin/load centre at 100 mm from the rod axis



Max deflection

Stroke	Load (kg)	Load position A deviation (mm)	Load position B deviation (mm)	Load position C deviation (mm)
60 mm	0.5	0.003	0.009	0
	1	0.007	0.026	0.001
	1.5	0.013	0.043	0.007
	2	0.017	0.063	0.009
	2.5	0.022	0.085	0.018
	3	0.026	0.109	0.023
	3.5	0.031	0.129	0.033
4	0.036	0.148	0.042	

Functional data (at 5 bar / 72.5 psi)

Thrust force	1,350 N
Pull force	1,550 N
Max bending moment	4 N m / 2.95 lb-ft
Max distance from the load centre to the rod	200 mm

Cycle time for max stroke

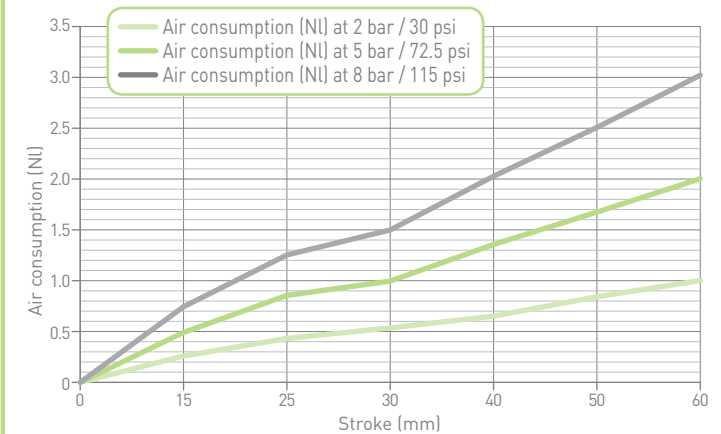
< 0.8 s

NO FLOW VALVE REQUIRED

Air consumption

Air consumption for complete cycle

REV. 00 - 31/03/2015



Please get in touch with our technical representatives for any application which exceeds the above values, to find the appropriate solution for your application.

Subject to change without notice

