



Maintenance-free rod-end bearings

Standard series SME/SFE

General mechanics
Self-lubricated

Use

- High stress, maintenance-free applications
- Usual use, general mechanics

Slip contact

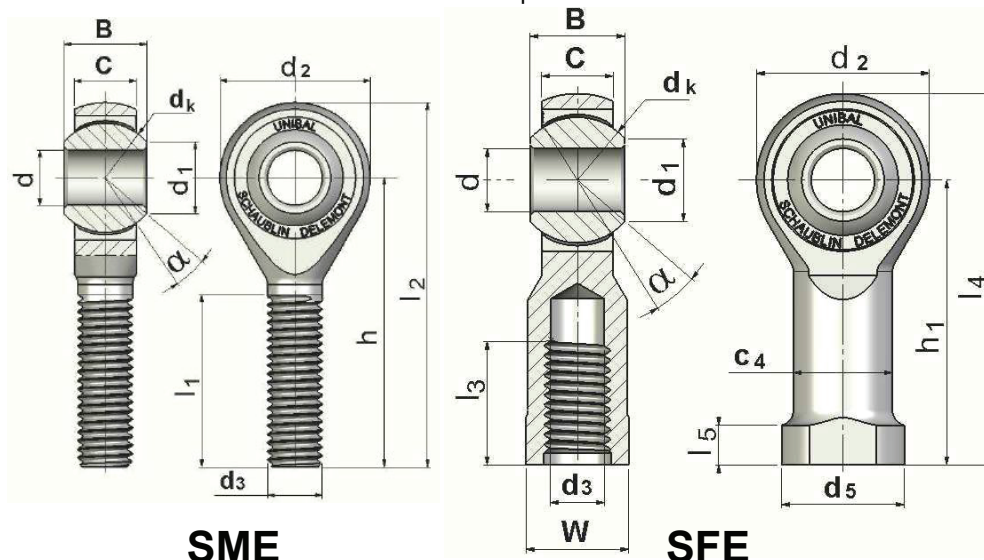
- Uniflon® Type E / bearing steel

Maintenance

- Self-lubricated, maintenance-free

Dimensions:

- Available in sizes 3 to 30
- For bore diameters over 30mm. please ask us



Type	d	B	C	dk	d1	d2	d3
	H7	$\begin{matrix} 0 \\ -0,05 \end{matrix}$	± 0.2				$\begin{matrix} \text{(SM) } 6g \\ \text{(SF) } 6H \end{matrix}$
SME 3	3	6	4.5	7.93	5.18	12	M3 x0.5
SME 4	4	7	5.25	9.52	6.46	14	M4 x0.7
SME 5	5	8	6	11.11	7.71	16	M5 x0.8
SME 6	6	9	6.75	12.70	8.96	18	M6 x1
SME 8	8	12	9	15.88	10.40	22	M8 x1.25
SME 10	10	14	10.5	19.05	12.92	26	M10 x1.5
SME 12	12	16	12	22.23	15.43	30	M12 x1.75
SME 14	14	19	13.5	25.40	16.86	34	M14 x2
SME 16	16	21	15	28.58	19.39	38	M16 x2
SME 18	18	23	16.5	31.75	21.89	42	M18 x1.5
SME 20	20	25	18	34.92	24.38	46	M20 x1.5
SME 22	22	28	20	38.10	25.84	50	M22 x1.5
SME 25	25	31	22	42.85	29.60	56	M24 x2
SME 30	30	37	25	50.80	34.80	66	M30 x2





Standard series SME/SFE

General mechanics
Self-lubricated

Special features:

- Made without play

Materials

Mount:

- Size 3 to 12: steel C35Pb (1.0502), zinc chromated blue
- Size 14 to 30: steel C35 (1.0501), zinc chromated blue

Bush:

- Bearing steel 100Cr6 (1.3505), hardened, chrome, sizes 4 to 20

Cage:

- Size 3 to 12: CuZn40MnPb, Uniflon® E self-lubricating fabric
- Size 14 to 30: CuZn40Pb3, Uniflon® E self-lubricating fabric

Notes

Left-hand thread: add the suffix L in the description

- Example: SFLE 6, SMLE 12

By request:

- Produced with special torque
- Magnetic fault inspection (suffix M – Example: SMEM10)
- Produced with special thread

d mm	d ₅	C ₄	h	h ₁	l ₁ ± 0.5	l ₂	l ₃ ± 0.5	l ₄	l ₅	W	α°	Basic static loading C ₀ (daN)	Weight (g)	
													SME	SFE
3	6.5	5.0	27	21	15	33	7.5	27	3	5.5	15	300	5	7
4	8.5	6.5	30	24	18	37	10	31	3.5	7	14	410	9	11
5	9.5	7.5	33	27	20	41	12.5	35	4	8	13	540	12	14
6	12	9.5	36	30	22	45	13	39	5	10	13	700	18	22
8	16	12.5	42	36	25	53	16	47	5	13	14	1,150	35	38
10	19	15.0	48	43	29	61	19	56	6.5	16	14	1,550	57	70
12	22	17.5	54	50	33	69	20	65	6.5	18	13	2,070	87	110
14	25	20.0	60	57	36	77	25	74	8	21	16	2,610	120	150
16	27	22.0	66	64	40	85	30	83	8	24	15	3,220	170	200
18	31	25.0	72	71	44	93	33	92	10	27	15	3,820	240	280
20	34	27.5	78	77	47	101	36	100	10	30	15	4,480	320	370
22	37	30.0	84	84	51	109	40	109	12	34	15	5,310	420	480
25	42	33.5	94	94	57	122	42	122	12	36	15	6,500	580	670
30	50	40.0	110	110	66	143	50	143	15	46	17	8,920	980	1 080



High Tensile Series SME/SFE..40

Self-lubricated

Use

- Application in all fields where static loadings are high, at reduced velocities

Slip contact

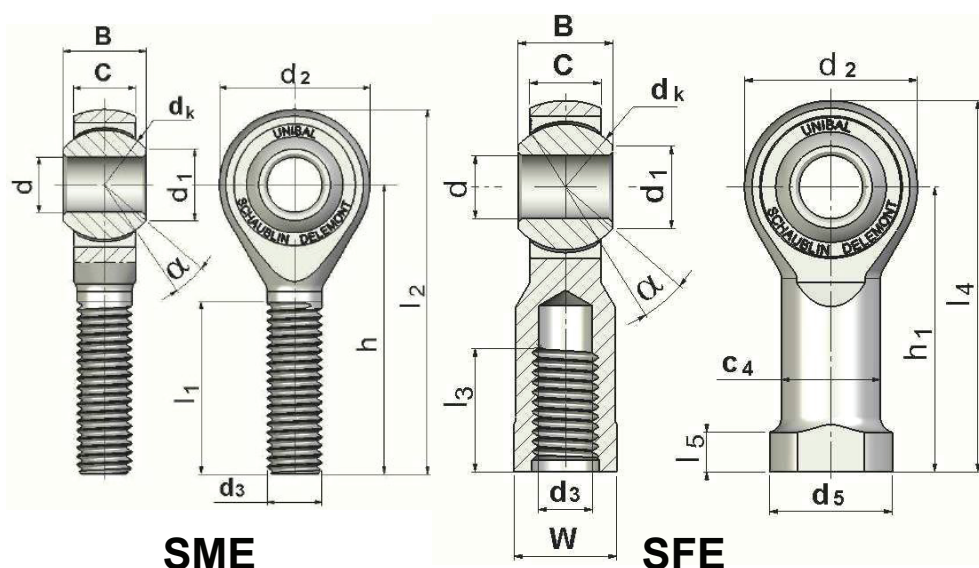
- Uniflon® E / Bearing steel bush

Maintenance

- Self-lubricated, maintenance-free

Dimensions:

- Available in sizes 5 to 30
- Please ask us for bore diameters over 30mm



Type		d	B	C	dk	d1	d2	d3
		H7	0 - 0,05	± 0.2				(SM) 6 g (SF) 6 H
SME 5..40	SFE 5..40	5	8	6	11.11	7.71	16	M5 x0.8
SME 6..40	SFE 6..40	6	9	6.75	12.70	8.96	18	M6 x1
SME 8..40	SFE 8..40	8	12	9	15.88	10.40	22	M8 x1.25
SME 10..40	SFE 10..40	10	14	10.5	19.05	12.92	26	M10 x1.5
SME 12..40	SFE 12..40	12	16	12	22.23	15.43	30	M12 x1.75
SME 14..40	SFE 14..40	14	19	13.5	25.40	16.86	34	M14 x2
SME 16..40	SFE 16..40	16	21	15	28.58	19.39	38	M16 x2
SME 18..40	SFE 18..40	18	23	16.5	31.75	21.89	42	M18 x1.5
SME 20..40	SFE 20..40	20	25	18	34.92	24.38	46	M20 x1.5
SME 22..40	SFE 22..40	22	28	20	38.10	25.84	50	M22 x1.5
SME 25..40	SFE 25..40	25	31	22	42.85	29.60	56	M24 x2
SME 30..40	SFE 30..40	30	37	25	50.80	34.80	66	M30 x2





High Tensile Series SME/SFE..40

Self-lubricated

Materials

Mount:

- Steel C45 (1.0503) treated, zinc chromated yellow

Bush:

- Bearing steel 100Cr6 (1.3505), hardened, chrome (size 5 to 20)

Cage:

- Steel C35Pb (1.0502) zinc chromated blue

Notes

Left-hand thread: add the suffix L in the description

- Example: SMLE 12.40

By request:

- Produced with reduced play
- Magnetic fault inspection (suffix M – Example: SMEM12.40)
- Hard chrome plated bush
- Quality or special thread

d mm	d ₅	C ₄	h	h ₁	l ₁ ± 0.5	l ₂	l ₃ ± 0.5	l ₄	l ₅	W	α°	Basic static loading C ₀ (daN)	Weight (g)	
													SME	SFE
5	9.5	7.5	33	27	20	41	12.5	35	4	8	13	690	12	14
6	12	9.5	36	30	22	45	13	39	5	10	13	850	18	22
8	16	12.5	42	36	25	53	16	47	5	13	14	1,330	35	38
10	19	15.0	48	43	29	61	19	56	6.5	16	14	1,790	57	70
12	22	17.5	54	50	33	69	20	65	6.5	18	13	2,390	87	110
14	25	20.0	60	57	36	77	25	74	8	21	16	3,020	120	150
16	27	22.0	66	64	40	85	30	83	8	24	15	3,730	170	200
18	31	25.0	72	71	44	93	33	92	10	27	15	4,420	240	280
20	34	27.5	78	77	47	101	36	100	10	30	15	5,190	320	370
22	37	30.0	84	84	51	109	40	109	12	34	15	6,140	420	480
25	42	33.5	94	94	57	122	42	122	12	36	15	7,530	580	670
30	50	40.0	110	110	66	143	50	143	15	46	17	10,320	980	1080



Stainless Steel Series SME/SFE..45

Use

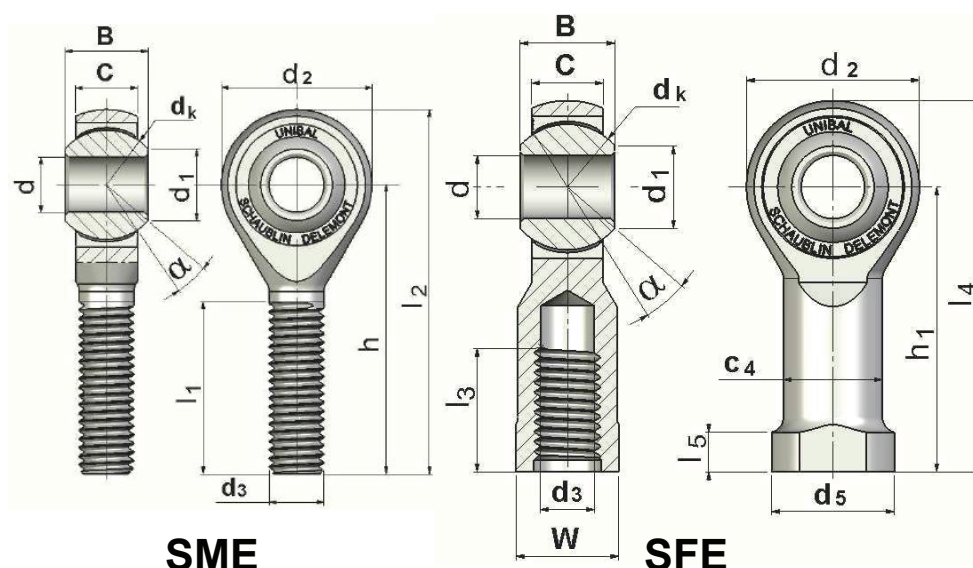
- Difficult environments, washroom fittings, laboratories, etc...
- Exposure to weather, oxidising and corrosive environments (water, humidity, etc.)

Slip contact

- Uniflon® E / Stainless steel bush

Maintenance

- Maintenance-free



SME

SFE

Type		d H 7	B 0 - 0,05	C ± 0.2	dk	d1	d2	d3 (SM) 6 g (SF) 6 H
SME 3 .45	SFE 3 .45	3	6	4.5	7.93	5.18	12	M3 x0.5
SME 4 .45	SFE 4 .45	4	7	5.25	9.52	6.46	14	M4 x0.7
SME 5 .45	SFE 5 .45	5	8	6	11.11	7.71	16	M5 x0.8
SME 6 .45	SFE 6 .45	6	9	6.75	12.70	8.96	18	M6 x1
SME 8 .45	SFE 8 .45	8	12	9	15.88	10.40	22	M8 x1.25
SME 10 .45	SFE 10 .45	10	14	10.5	19.05	12.92	26	M10 x1.5
SME 12 .45	SFE 12 .45	12	16	12	22.23	15.43	30	M12 x1.75
SME 14 .45	SFE 14 .45	14	19	13.5	25.40	16.86	34	M14 x2
SME 16 .45	SFE 16 .45	16	21	15	28.58	19.39	38	M16 x2
SME 18 .45	SFE 18 .45	18	23	16.5	31.75	21.89	42	M18 x1.5
SME 20 .45	SFE 20 .45	20	25	18	34.92	24.38	46	M20 x1.5
SME 22 .45	SFE 22 .45	22	28	20	38.10	25.84	50	M22 x1.5
SME 25 .45	SFE 25 .45	25	31	22	42.85	29.60	56	M24 x2
SME 30 .45	SFE 30 .45	30	37	25	50.80	34.80	66	M30 x2





Stainless Steel Series SME/SFE..45

Dimensions:

- Available in sizes 3 to 30

Special features:

- Made without play

Materials

Mount:

- Stainless steel X10CrNiS18-9 (1.4305) or X5CrNi18-10 (1.4301)

Bush:

- Stainless steel X46Cr13 (1.4034), hardened

Cage:

- Stainless steel X10CrNiS18-9 (1.4305), Uniflon® E

Notes

Left-hand thread: add the suffix L in the description

- Example: SMLE 12.45

By request:

- Bush stainless steel hard chrome plated
- Other steels

d mm	d ₅	C ₄	h	h ₁	l ₁ ± 0.5	l ₂	l ₃ ± 0.5	l ₄	l ₅	W	α°	Basic static loading C ₀ (daN)	Weight (g)	
													SME	SFE
3	6.5	5.0	27	21	15	33	7.5	27	3	5.5	15	160	5	7
4	8.5	6.5	30	24	18	37	10	31	3.5	7	14	210	9	11
5	9.5	7.5	33	27	20	41	12.5	35	4	8	13	300	12	14
6	12	9.5	36	30	22	45	13	39	5	10	13	380	18	22
8	16	12.5	42	36	25	53	16	47	5	13	14	610	35	38
10	19	15.0	48	43	29	61	19	56	6.5	16	14	810	57	70
12	22	17.5	54	50	33	69	20	65	6.5	18	13	1,090	87	110
14	25	20.0	60	57	36	77	25	74	8	21	16	1,370	120	150
16	27	22.0	66	64	40	85	30	83	8	24	15	1,650	170	200
18	31	25.0	72	71	44	93	33	92	10	27	15	2,010	240	280
20	34	27.5	78	77	47	101	36	100	10	30	15	2,360	320	370
22	37	30.0	84	84	51	109	40	109	12	34	15	2,790	420	480
25	42	33.5	94	94	57	122	42	122	12	36	15	3,400	580	670
30	50	40.0	110	110	66	143	50	143	15	46	17	4,690	980	1080



Competition Series SMEM..50/51/52

Self-lubricated

Use

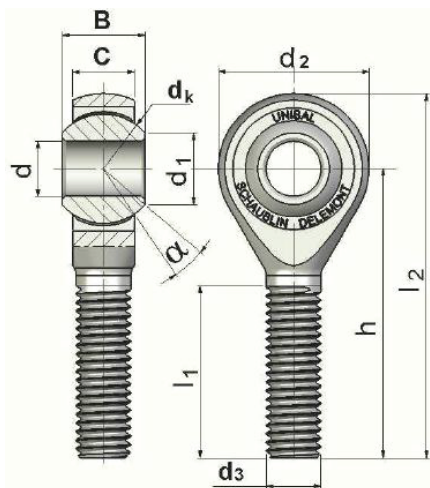
- Application in all fields where static loadings are high, at reduced velocities

Slip contact

- Uniflon® E / Chrome steel bush

Maintenance

- Self-lubricated, maintenance-free



SMEM

Type	d H7	B 0 - 0,05	C ± 0.2	dk	d1	d2	d3 6 g	h	l1	l2	α°	Basic static loading C ₀ (daN)	Weight (g)
SMEM 5.50	5	8	6	11.11	7.71	16	M5 x0.8	33	20	41	13	1,100	12
SMEM 6.50	6	9	6.75	12.70	8.96	18	M6 x1	36	22	45	13	1,360	18
SMEM 8.50	8	12	9	15.88	10.40	22	M8 x1.25	42	25	53	14	2,120	35
SMEM 10.50	10	14	10.5	19.05	12.92	26	M10 x1.5	48	29	61	14	2,850	57
SMEM 12.50	12	16	12	22.23	15.43	30	M12 x1.75	54	33	69	13	3,800	87
SMEM 14.50	14	19	13.5	25.40	16.86	34	M14 x2	60	36	77	16	4,800	120
SMEM 16.50	16	21	15	28.58	19.39	38	M16 x2	66	40	85	15	5,760	170
SMEM 18.50	18	23	16.5	31.75	21.89	42	M18 x1.5	72	44	93	15	7,040	240





Competition Series SMEM..50/51/52

Self-lubricated

Special features:

- Magnetic fault inspection as standard
- Without play
- Very high torque

Materials

Mount:

- High tensile steel 34CrNiMo6 (1.6582), blackened, oiled

Bush:

- Bearing steel 100Cr6 (1.3505), hardened, chrome

Cage:

- High tensile steel 34CrNiMo6 (1.6582)
- Uniflon® E

Notes

Left-hand thread: add the suffix L in the description

- Example: SMLEM 12.50

By request:

- Reduced torque

Series .51:

- MF thread

Type	d H7	B 0 - 0,05	C ± 0.2	d _k	d ₁	d ₂	d ₃ 6 g	h	l ₁	l ₂	α°	Basic static loading C ₀ (daN)	Weight ht (g)
SMEM 5 .51	5	8	6	11.11	7.71	16	M5 x0.5	33	20	41	13	1,100	12
SMEM 6 .51	6	9	6.75	12.70	8.96	18	M6 x0.75	36	22	45	13	1,360	18
SMEM 8 .51	8	12	9	15.88	10.40	22	M8 x1	42	25	53	14	2,120	35
SMEM 10 .51	10	14	10.5	19.05	12.92	26	M10 x1	48	29	61	14	2,850	57
SMEM 12 .51	12	16	12	22.23	15.43	30	M12 x1.5	54	33	69	13	3,800	87
SMEM 14 .51	14	19	13.5	25.40	16.86	34	M14 x1.5	60	36	77	16	4,800	120
SMEM 16 .51	16	21	15	28.58	19.39	38	M16 x1.5	66	40	85	15	5,760	170

Series .52:

Type	d H7	B 0 - 0,05	C ± 0.2	d _k	d ₁	d ₂	d ₃ 6 g	h	l ₁	l ₂	α°	Basic static loading C ₀ (daN)	Weight ht (g)
SMEM 10 .52	8	14	10.5	19.05	12.92	26	M10 x1	48	29	61	31.5	2,850	57
SMEM 12 .52	10	16	12	22.23	15.43	30	M12 x1.5	54	33	69	30.5	3,800	87
SMEM 14 .52	12	19	13.5	25.40	16.86	34	M14 x1.5	60	36	77	29.5	4,800	120
SMEM 16 .52	14	21	15	28.58	19.39	38	M16 x1.5	66	40	85	29	5,760	170
SMEM 18 .52	16	23	16.5	31.75	21.89	42	M18 x1.5	72	44	93	28	7,040	240

- MF thread and bush bore 2mm smaller than the thread.