

Cylinders to ex CETOP RP 43 P standard

series CPU

DESCRIPTION

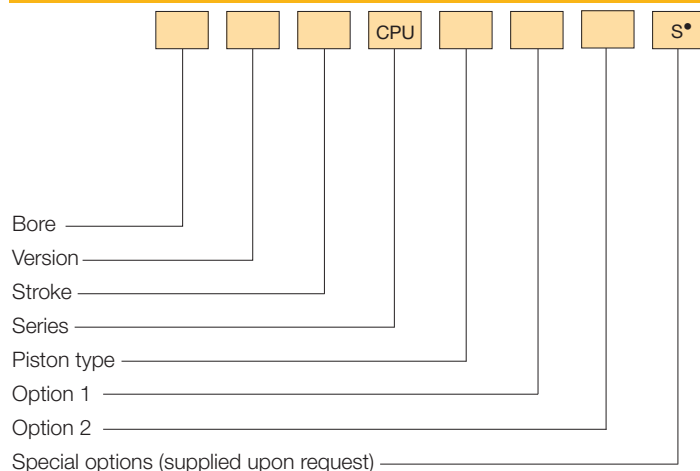
Cylinders series "CPU" comply with ex CETOP RP 43 P standard. The versions with magnetic piston type can be supplied with magnetic sensors.

TECHNICAL DATA

Operating pressure	1 ± 10 bar
Working temperature	0 ÷ +80 °C (-20 °C with dry air) 0 ÷ +150 °C with seals for high temperatures (-10 °C with dry air)
Fluid	Filtered, unlubricated, continuous lubricated or dry compressed air
Versioni	Double acting, Single acting front spring, Single acting rear spring, Through rod
Bore	Ø 32, 40, 50, 63, 80, 100
Port size	Ø 32 = G 1/8 Ø 40 - 50 = G 1/4 Ø 63 - 80 = G 3/8 Ø 100 = G 1/2
Standard strokes (mm)*	25, 50, 75, 100, 125, 150, 200, 250, 300, 350, 400, 500, 600, 700, 800, 900, 1000
Decelerators length	Ø 32 40 50 63 80 100 mm 25 30 30 35 35 40
Maximum strokes (mm)	Ø 32 ÷ 100 = 3000
Max. strokes single acting (mm)	Ø 32 ÷ 100 = 50

*Cylinders, with strokes shorter than the decelerators lengths, are NOT cushioned as standard.

ORDER KEY



• See Chapter 1, page 1.1.

ORDER EXAMPLES

Cylinder Ø 50, double acting, 100 mm stroke, non-magnetic piston type: **50/100 CPU**

Cylinder Ø 63, through rod, 150 stroke, magnetic piston type, stainless steel piston rod: **63R150 CPU/FM1**

SPARE PARTS

SEALS KIT		
Non-magnetic piston type	NBR	Ø/SG/CPU
	Through rod NBR	Ø/SG/R/CPU
	For high temperatures	Ø/SG/CPU2
	Through rod for high temperatures	Ø/SG/R/CPU2
Magnetic piston type	NBR	Ø/SG/CPU/FM
	Through rod NBR	Ø/SG/R/CPU/FM

MATERIALS

End caps	Anodized aluminium alloy
Cylinder barrel	Extruded tube, anodized aluminium alloy
Tie rods, tie and rod nuts	Steel Stainless steel (supplied upon request for tie rods and tie nuts)
Piston rod	C45 chromium-plated steel AISI 303 rolled stainless steel
Piston rod bearing	Bronze-iron 20%, sintered, self-lubricating
Decelerators ogives	Aluminium alloy
Piston	NBR rubber block (supplied with and without magnet) FKM (Viton®) supplied only with non-magnetic piston
Seals	NBR rubber FKM (Viton®)
Spring	Springs steel

VERSION

/ Double acting	Y	Single acting rear spring
S Single acting front spring	R	Through rod

PISTON TYPE

Non-magnetic	/FM	Magnetic*
--------------	-----	-----------

OPTION 1

1 Stainless steel piston rod and rod nut	3	Stainless steel piston rod and rod nut and seals for high temperatures
2 Seals for high temperatures		

OPTION 2

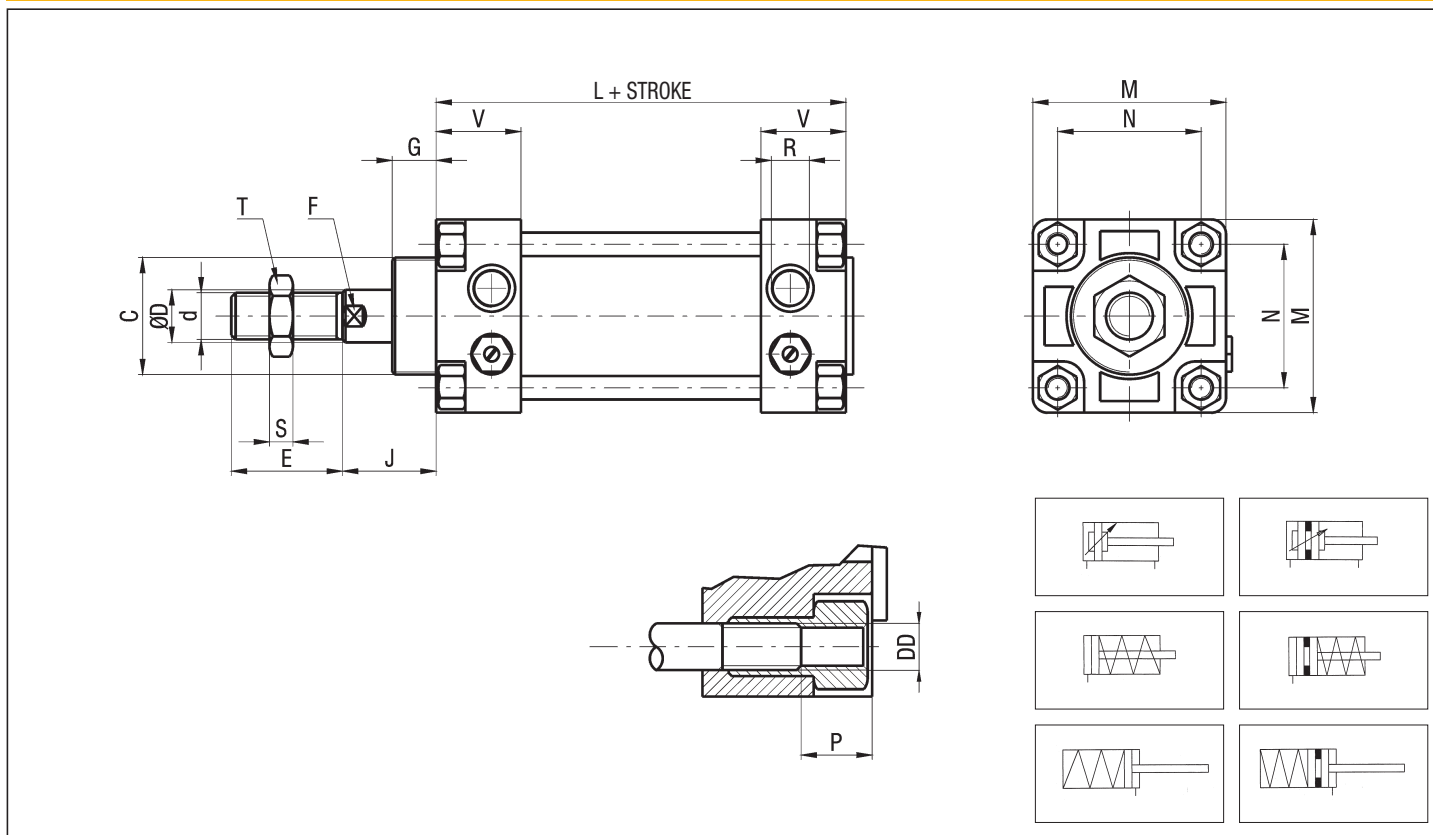
4 Brass cylinder barrel**	6	Inner chromium-plated steel cylinder barrel**
---------------------------	---	---

* Available even with "FKM" (Viton®) seals but just for applications where is needed a chemical compatibility; not available for high temperatures.
**Supplied from Ø 50 ÷ 100

series CPU

Cylinders
to ex CETOP RP 43 P standard

CPU BASIC CYLINDER

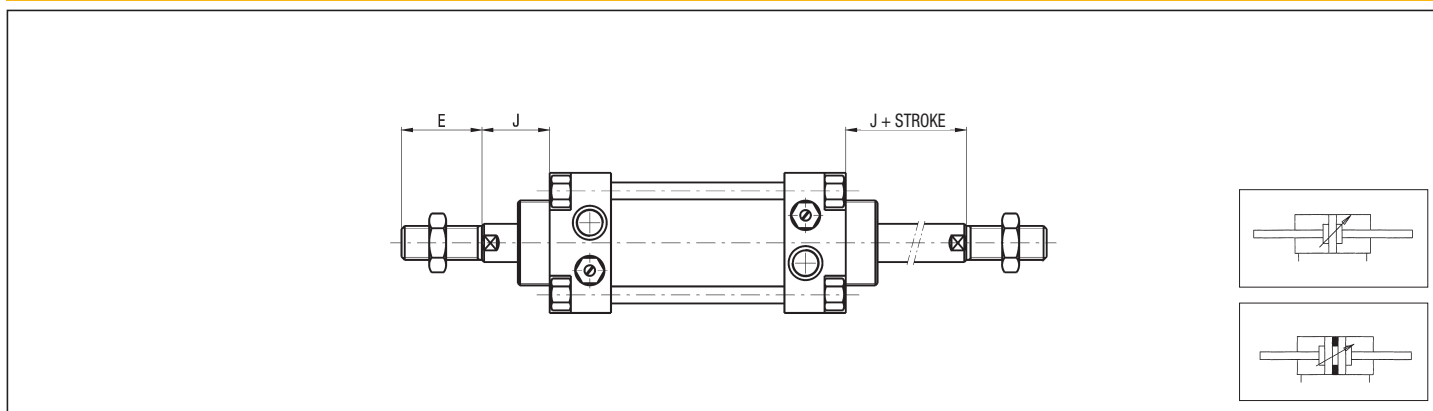


P.S.: Rod nut supplied as standard

DIMENSIONS AND WEIGHTS BASIC CYLINDER

Ø	C	d	D	DD	E	F	G	J	L	M	N	P	R	S	T	V	WEIGHT (g)	INCR. (g) x 10 mm
32	M30x1,5	M10x1,25	12	M6	20	10	15	24	98	45	33	14	G 1/8	6	17	26	517	21
40	M35x1,5	M12x1,25	18	M6	24	13	18	28	110	52	40	14	G 1/4	7	19	29	810	36
50	M40x1,5	M16x1,5	18	M8	32	16	20	35	110	65	49	15	G 1/4	8	24	29	1210	44
63	M40x1,5	M16x1,5	22	M8	32	17	20	35	125	75	59	15	G 3/8	8	24	34	1727	61
80	M45x1,5	M20x1,5	22	M10	40	20	20	42	136	95	75	16	G 3/8	9	30	35	2590	64
100	M55x2	M20x1,5	25	M10	40	22	28	47	145	115	90	16	G 1/2	9	30	39	3970	76

THROUGH ROD



P.S.: Rod nut supplied as standard

Accessories
 Fixings for cylinders
 to ex CETOP RP 43 P standard

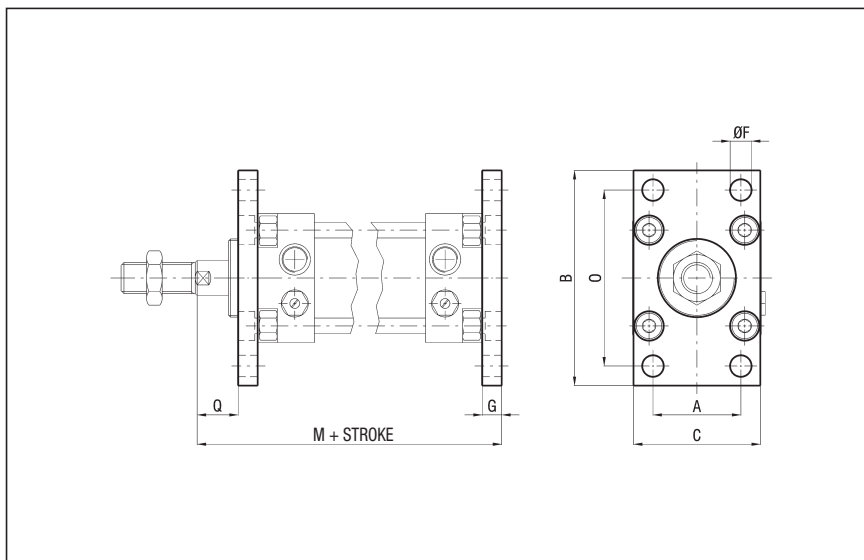
series **CPU**

1

FLANGE - STEEL - CPU/F Ø (Supplied with screws)

Ø	A	B	C	F	G	Q	M
32	32	80	45	7	8	16	130
40	36	90	52	9	8	20	146
50	45	110	65	9	10	25	155
63	50	120	75	9	10	25	170
80	63	150	95	12	12	30	190
100	75	170	115	14	12	35	204

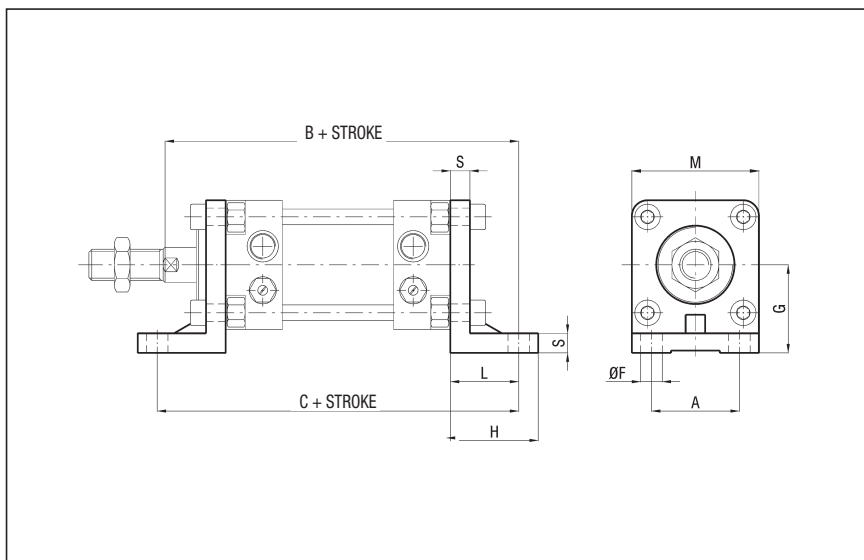
Ø	O	WEIGHT (g)
32	64	145
40	72	195
50	90	390
63	100	530
80	126	1045
100	150	1450



HIGH FOOT - ALUMINIUM - CPU/P Ø (Supplied with screws)

Ø	A	B	C	F H13	G	H	L
32	32	144	142	7	32	35	22
40	36	164	162	9	36	35	26
50	45	173	166	9	45	43	28
63	50	190	185	9	50	45	30
80	63	215	210	12	63	55	37
100	75	229	219	14	71	55	37

Ø	M	S	WEIGHT (g)
32	45	8	55
40	52	8	65
50	65	10	140
63	75	10	190
80	95	12	370
100	115	12	500

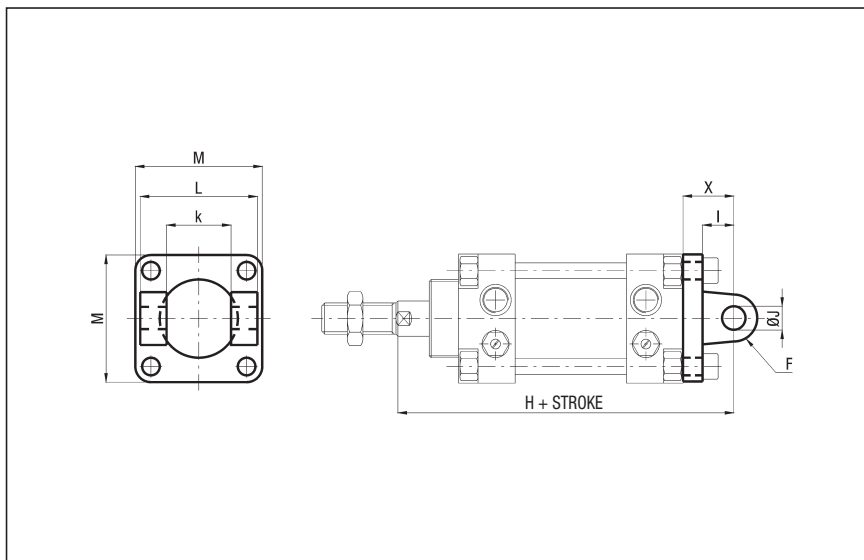


REAR FEMALE HINGE - ALUMINIUM - CPU/CF Ø (Supplied with screws)

Ø	F	I	H	J H9	k	L	M
32	9	12	142	10	26	45	45
40	12	15	161	12	28	52	52
50	12	17	172	12	32	60	65
63	17	20	190	16	40	70	75
80	17	20	210	16	50	90	95
100	21	25	229	20	60	110	115

Ø	X	WEIGHT (g)
32	20	35
40	23	55
50	27	105
63	30	170
80	32	300
100	37	455

P.S.:
 This hinge can be used also
 with square joint of series
 "X" and "XT"(see page 1.35)



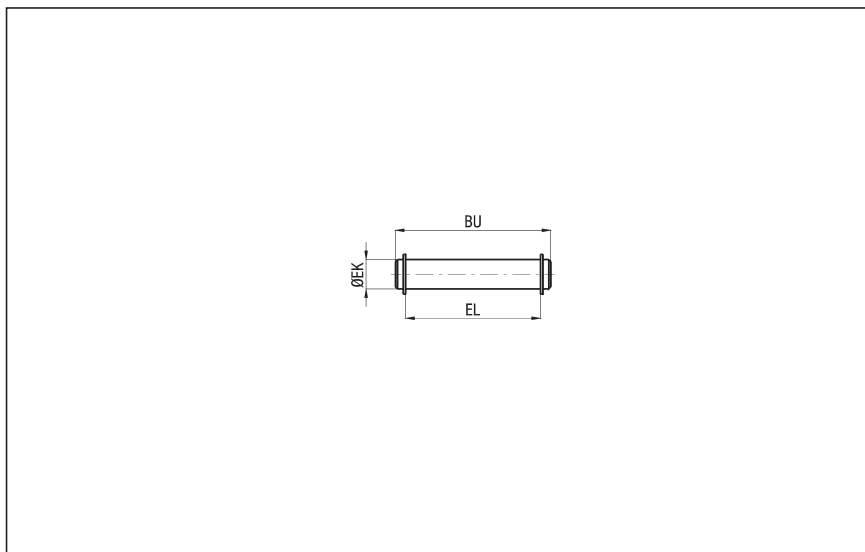
series CPU

Accessories Fixings for cylinders to ex CETOP RP 43 P standard

1

PIVOT FOR REAR FEMALE HINGE - ZINC-PLATED STEEL - CPU/CPU/SEC Ø

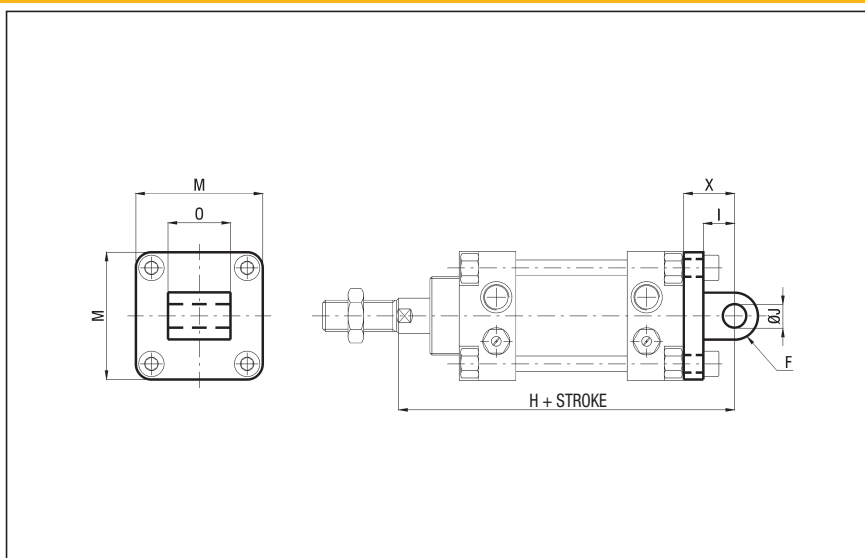
Ø	BU	EK f7	EL	WEIGHT (g)
32	53	10	46	32
40	60	12	53	52
50	68	12	61	60
63	78	16	71	122
80	98	16	91	152
100	118	20	111	290



MALE HINGE - ALUMINIUM - CPU/CM Ø

Ø	F	I	H	J H9	M	O	X
32	10	12	142	10	45	26	20
40	12	15	161	12	52	28	23
50	12	17	172	12	65	32	27
63	16	20	190	16	75	40	30
80	16	20	210	16	95	50	32
100	20	25	229	20	115	60	37

Ø	WEIGHT (g)
32	50
40	70
50	140
63	210
80	350
100	565



INTERMEDIATE HINGE - STEEL - CX/CPU/CT Ø (Supplied with dowels)

Ø	A	B h14	D e9	E h14	G	M	Q min
32	46	50	12	12	15	6,25	57,5
40	59	63	16	16	20	6,25	67
50	69	73	16	16	20	8,25	74
63	84	90	20	20	25	8,25	81,5
80	102	108	20	20	25	10,25	89,5
100	125	131	25	25	30	10,25	101

Ø	Q max	WEIGHT (g)
32	88,5	110
40	99	290
50	106	330
63	113,5	650
80	130,5	830
100	138	1560

P.S.:
- ADJUSTABLE POSITION
(fixing through dowels)

ASSEMBLY:

CX/CPU/CT Ø + cylinder CPU type M/CX/CPU/CT Ø

- FIXED POSITION

(specify dimension "Q"; fixed on cylinder with completed threaded and galvanized tie rods type "S6")
Ø32 ÷ 63 require stainless steel tube.

Please contact our sales offices.

ASSEMBLY:

CX/CPU/CT Ø + cylinder CPU S6
type MF/CX/CPU/CT Ø

