

“Mickey mouse” profile with TEE-slots cylinders to ISO 15552 standard Ø 32 ÷ 100

series XT

DESCRIPTION

Cylinders series “XT”, and their fixing accessories comply with ISO 15552 standard, being in this way completely interchangeable with the former cylinders to ISO 6431/VDMA 24562 standard. They are available in the bores from Ø 32 to Ø 100 with techno-polymer piston as standard and the barrel, a profile in extruded aluminium alloy “mickey mouse” style, has two TEE-slots on one side where it's possible to mount directly the magnetic sensors series “FM100”. Upon request, cylinders series “XT” comply with ATEX directive, 2GD category.

TECHNICAL DATA

Operating pressure	1 ÷ 10 bar
Working temperature	0 ÷ +80° C (-35° C with dry air) 0 ÷ +150° C with seals for high temperatures (-10° C with dry air)
Fluid	Compressed air, filtered, continuous lubricated, unlubricated or dry lubricated
Versions	Double acting, single acting front spring, single acting rear spring, through rod, double push tandem, double stroke tandem, opposed tandem
Bore	Ø 32, 40, 50, 63, 80, 100
Port size	Ø 32 = G 1/8 Ø 40 - 50 = G 1/4 Ø 63 - 80 = G 3/8 Ø 100 = G 1/2
Standard strokes (mm)*	25, 50, 75, 80, 100, 125, 150, 160, 200, 250, 300, 320, 350, 400, 500, 550, 600, 650, 700, 800, 900, 1000
Decelerators lenght	Ø 32 40 50 63 80 100 mm 24 29 29 35 35 40
Max strokes (mm)	Ø 32 ÷ 100 = 3000; versione T, P, V = 1000
Max strokes single act. (mm)	Ø 32 ÷ 63 = 50, Ø 80 - 100 = 100
Spring theoretical tractive force	See technical data on page 0.13

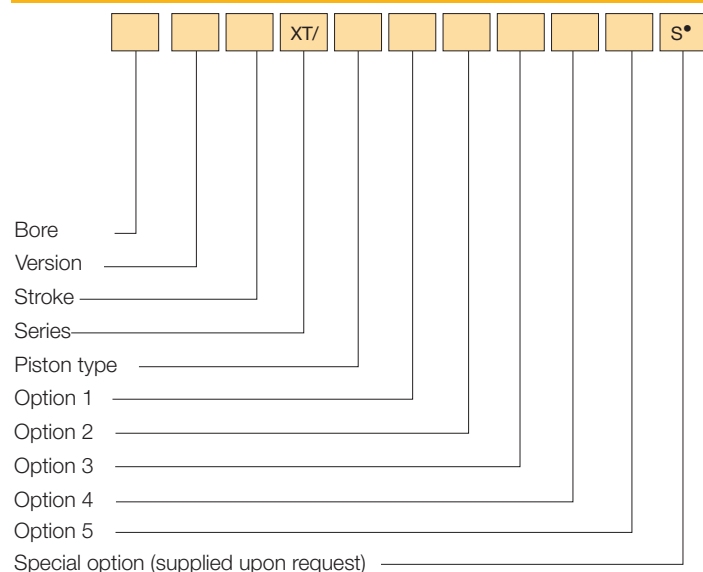
*Cylinders, with strokes shorter than the decelerators lengths, are NOT cushioned as standard.



MATERIALS

End caps	Painted die-cast aluminium alloy
Cylinder barrel	Extruded profile, 20 µm anodized aluminium alloy
Screws	Steel (self-forming)
Piston rod	C45 chromium-plated steel AISI 303 rolled stainless steel
Rod nut	Steel Stainless steel
Piston rod bearing	Bronze-iron 20%, sintered, self-lubricating
Piston	Techno-polymer (with or without magnet) Aluminium alloy (with or without magnet): for high temperatures, for applications without the effective use of the cushioning and for strokes over 1000 mm.
Seals	Polyurethane FKM (Viton®)
Cover strips	Polyvinylchloride
Springs	Spring steel

ORDER KEY



• See chapter 1, page 1.1.

VERSION

/	Double acting	T	Double push tandem*
S	Single acting front spring	P	Double stroke tandem
Y	Single acting rear spring	V	Opposed tandem
R	Through rod		

PISTON TYPE

N	Non-magnetic	M	Magnetic**
---	--------------	---	------------

OPTION 1

Z Fit for piston rod locking unit***

OPTION 2

1	Stainless steel piston rod and rod nut	3	Stainless steel piston rod, rod nut and seals for high temperatures*
2	Seals for high temperatures*		

OPTION 3

4 Cover strips for magnetic sensors slots***

OPTION 4

5 Aluminium alloy piston

OPTION 5

/EX Consistent with the ATEX directive Ex II 2GD c T5 T100°C -35°C ≤ Ta ≤ 80°C

* Supplied only with aluminium alloy piston.

** Available even with “FKM” (Viton®) seals but just for applications where is needed a chemical compatibility; not available for high temperatures and ATEX.

*** Don't use it for high temperature application and ATEX.

SPARE PARTS

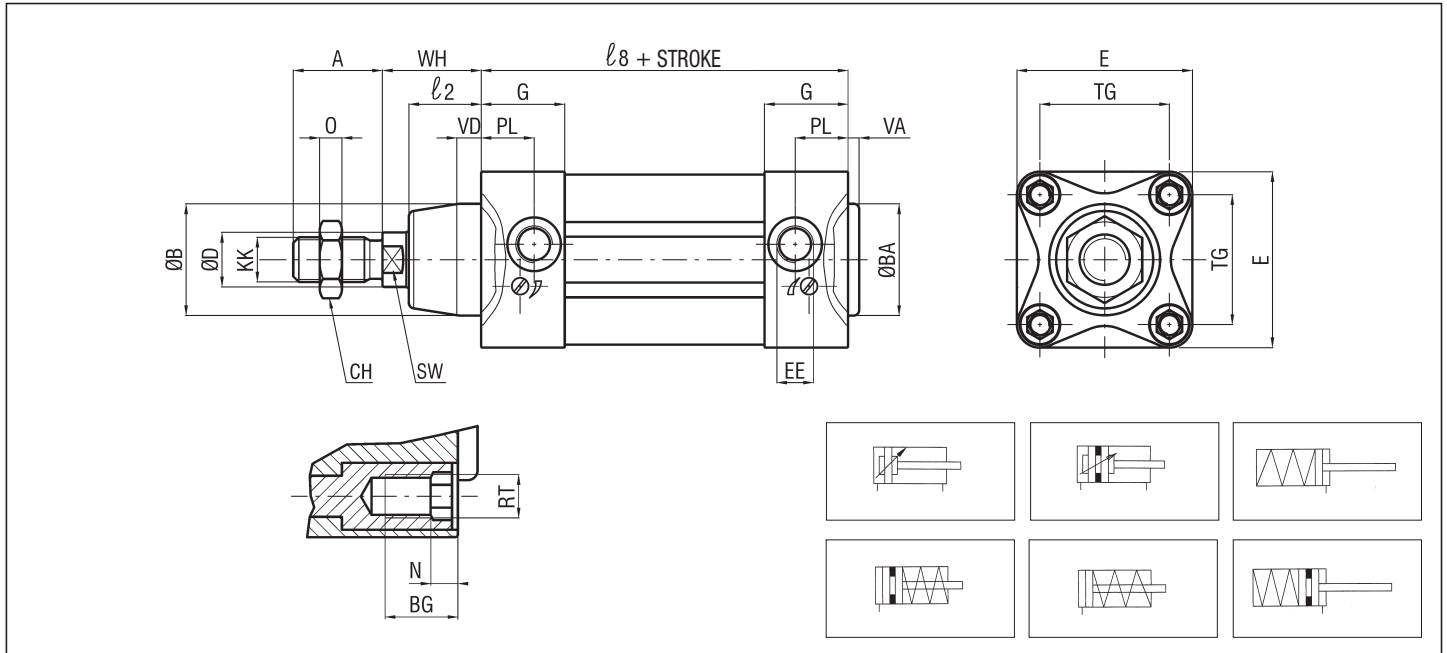
SEALS KIT

Polyurethane	Ø/SG/X
Through rod polyurethane	Ø/SG/R/X
For high temperatures	Ø/SG/X2
Through rod for high temperatures	Ø/SG/R/X2

series XT

“Mickey mouse” profile
with TEE-slots cylinders
to ISO 15552 standard $\varnothing 32 \div 100$

XT BASIC CYLINDER



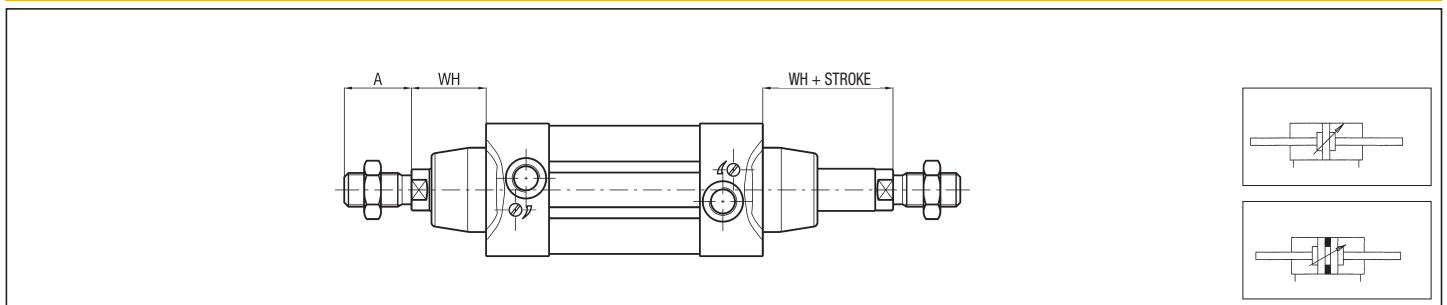
P.S.: Rod nut supplied as standard

DIMENSIONS AND WEIGHTS BASIC CYLINDER

\varnothing	A*	BA* B*	BG*	CH	D	E*	EE*	G	KK*	ℓ	ℓ_2^*	ℓ_8^*	N	O	PL*	R	RT*	SW*	TG*	VA* VD*	WB	WH*	WEIGHT (g)	INCR. (g) every 10 mm
32	22	30	16	17	12	47	G1/8	27	M10x1,25	175	20	94	5,5	6	18	9	M6	10	32,5	3	86	26	533	23
40	24	35	16	19	16	52	G1/4	31	M12x1,25	201	22	105	5,5	7	20,5	9	M6	13	38	3	100	30	777	32
50	32	40	16	24	20	63	G1/4	30	M16x1,5	191	26	106	5,5	8	19	9	M8	17	46,5	3	127	37	1148	45
63	32	45	16	24	20	75	G3/8	35,5	M16x1,5	217	27	121	6,5	8	22	9	M8	17	56,5	4	127	37	1621	48
80	40	45	16	30	25	93	G3/8	36	M20x1,5	240	29	128	6,5	9	23	9	M10	22	72	4	156	46	2569	67
100	40	55	16	30	25	113	G1/2	39	M20x1,5	258	35	138	6,5	9	24	9	M10	22	89	4	161	51	3550	77

* STANDARDIZED DIMENSIONS

THROUGH ROD



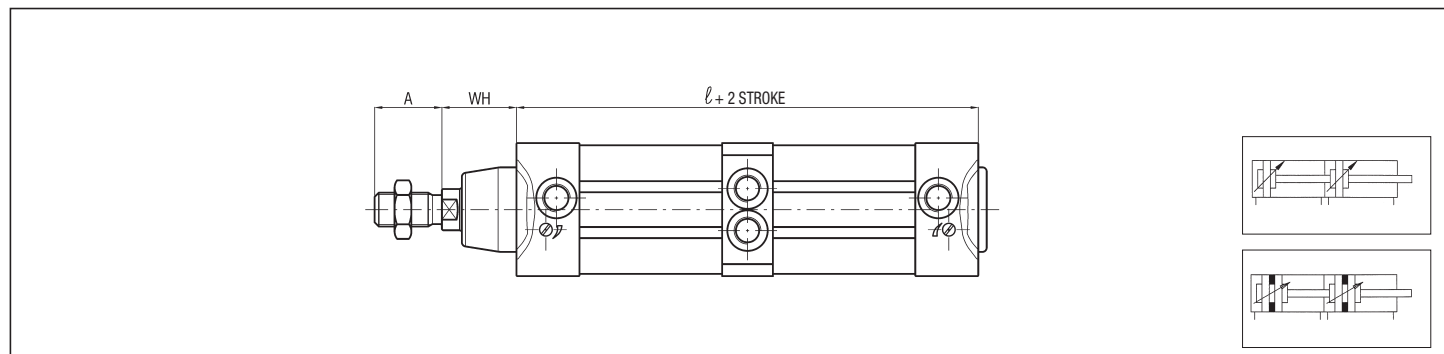
P.S.: Rod nut supplied as standard

“Mickey mouse” profile
with TEE-slots cylinders
to ISO 1552 standard $\varnothing 32 \div 100$

series **XT**

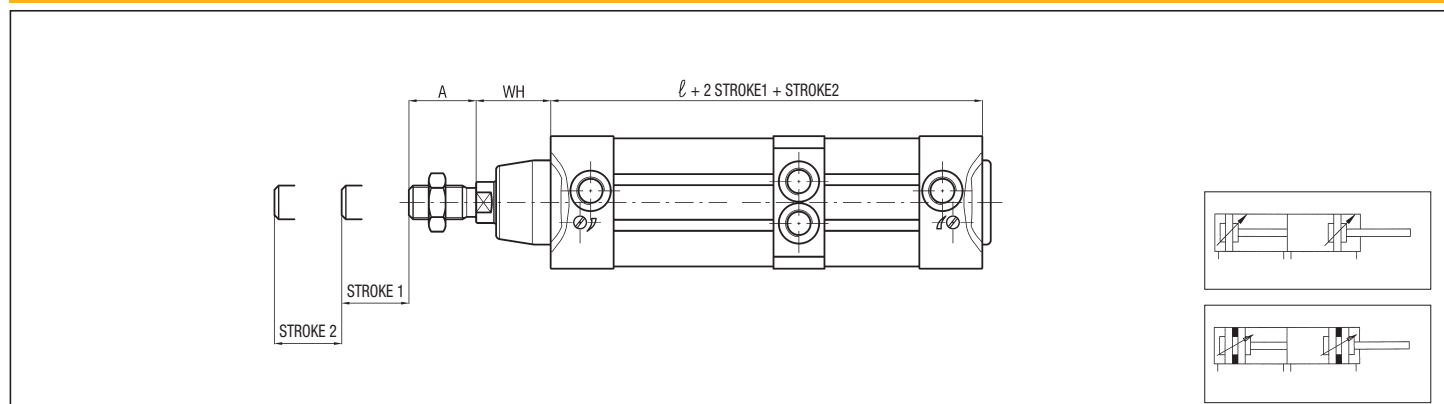
1

DOUBLE PUSH TANDEM



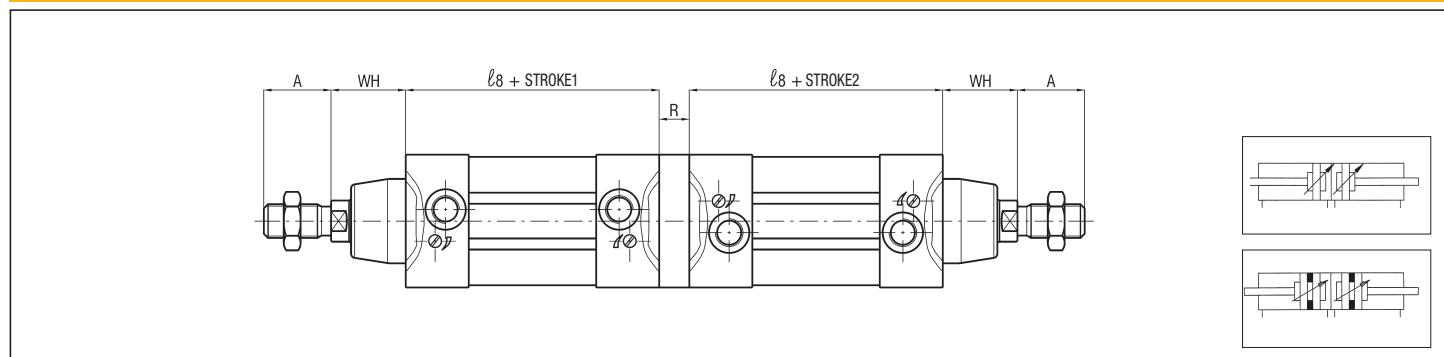
P.S.: Rod nut supplied as standard

DOUBLE STROKE TANDEM



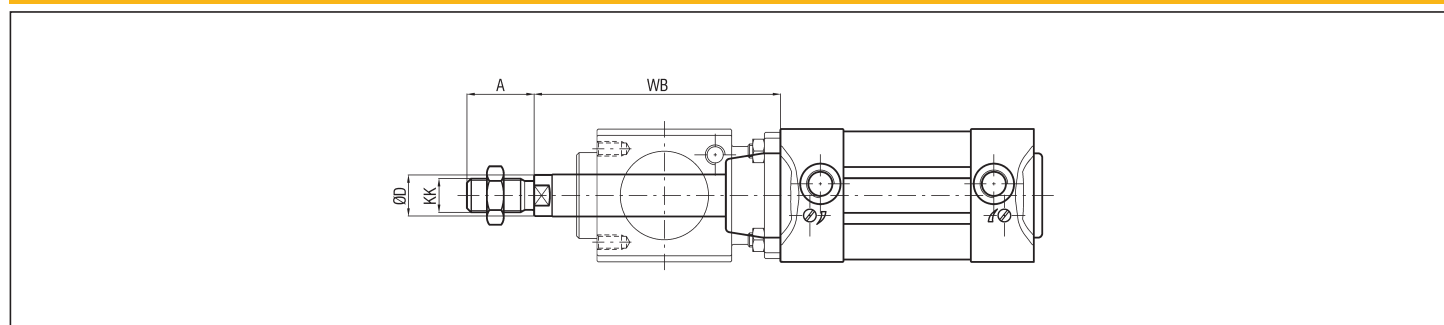
P.S.: Rod nut supplied as standard

OPPOSED TANDEM



P.S.: Rod nut supplied as standard

FIT FOR PISTON ROD LOCKING UNIT



P.S.: Rod nut supplied as standard

1