

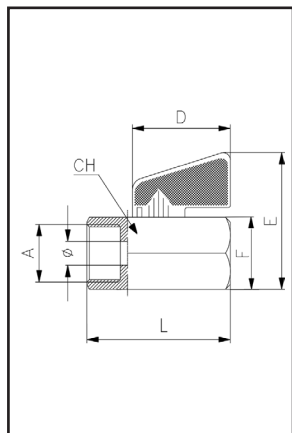
series VS

Mini ball-valves

TECHNICAL DATA

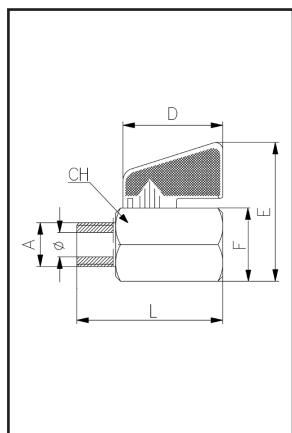
Body	Nickel-plated brass
Ball	Hard chromium-plated brass
Lever	Polyamide
Seals	Polytetrafluoroethylene
O-Ring	NBR rubber
Surface treatment	Chromium- plating
Thread	Taper and parallel
Size	1/8 ÷ 3/4
Max. pressure	20 bar
Working temperature	-18 ÷ +80 °C
Acuation	90°
Nominal orifice	5 ÷ 14 mm
Flow direction	Bidirectional

5 FEMALE/FEMALE WITH HEXAGONAL BODY



TYPE	L	A	D	E	F	Ø	CH	q.ty
VSR-FF-01	40	G1/8	30	38	21	6	21	20
VSR-FF-02	40	G1/4	22	38	21	8	21	20
VSR-FF-03	40	G3/8	22	38	21	8	21	20
VSR-FF-04	46	G1/2	22	42	25	10	25	20
VSR-FF-06	52	G3/4	22	48	30	14	30	15

MALE/FEMALE WITH HEXAGONAL BODY

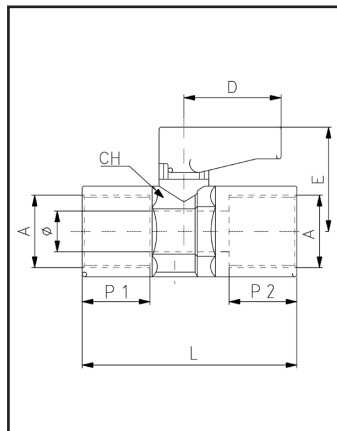


TYPE	L	A	D	E	F	Ø	CH	q.ty
VSR-MF-01	40	G1/8	30	38	21	6	21	20
VSR-MF-02	39	G1/4	22	38	21	8	21	20
VSR-MF-03	40	G3/8	22	38	21	8	21	20
VSR-MF-04	48	G1/2	22	42	25	10	25	20
VSR-MF-06	54	G3/4	22	48	30	14	30	15

Mini ball-valves

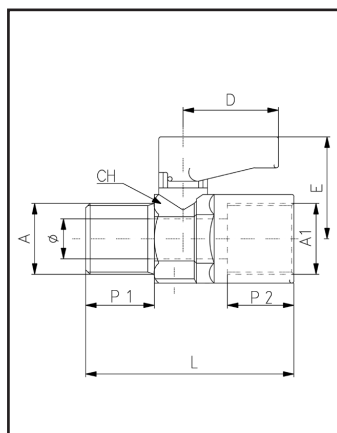
series VS

FEMALE/FEMALE



TYPE	L	A	P1	P2	D	E	Ø	CH	q.ty
VS-FF-01	36,5	G1/8	8	8	19	21,5	5,5	14	20
VS-FF-02	43	G1/4	11	11	19	21,5	5,5	14	20
VS-FF-03	48	G3/8	11,5	16	18	22,5	7	18	20
VS-FF-04	59	G1/2	16	23	25	32	10	22	20

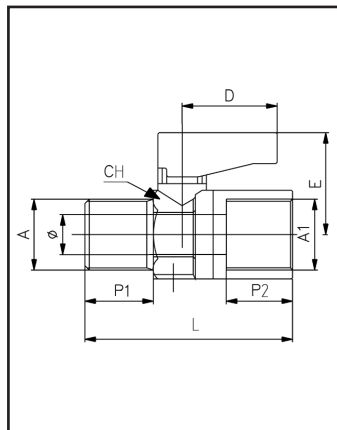
MALE/FEMALE WITH TAPER THREAD



TYPE	L	A	A1	D	E	P1	P2	Ø	CH	q.ty
VS1-MF-01	35,5	R1/8	G1/8	19	21,5	8	8	5,5	14	20
VS1-MF-02	40,5	R1/4	G1/4	19	21,5	11	11	5,5	14	20
VS1-MF-03	48	R3/8	G3/8	19	22,5	13	16	8	18	20
VS1-MF-04	58	R1/2	G1/2	26	32	17	23	10	22	20

5

MALE/FEMALE WITH PARALLEL THREAD



TYPE	L	A	A1	D	E	P1	P2	Ø	CH	q.ty
VS-MF-01	34,5	G1/8	G1/8	19	21,5	7	8	5,5	14	20
VS-MF-02	35,5	G1/4	G1/4	19	21,5	8	8	5,5	14	20
VS-MF-03	37,5	G3/8	G3/8	19	21,5	8	11	5,5	14	20
VS-MF-04	38,5	G1/2	G1/2	19	21,5	8	11	5,5	14	20