

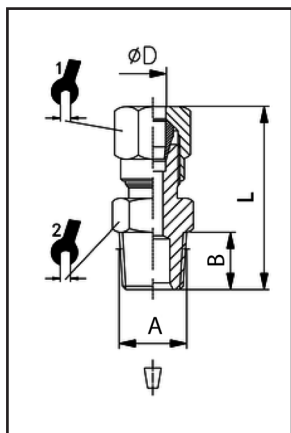
# series RG

## Compression fittings

### TECHNICAL DATA

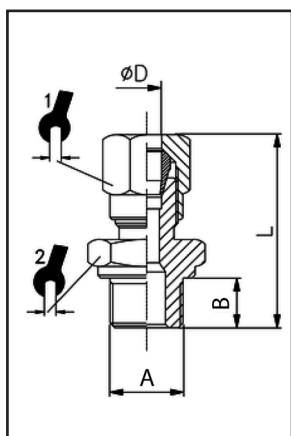
Material	Nickel plated brass
Thread	Taper and parallel
Size	1/8 ÷ 1/2
Fluid	Air
Max. pressure	60 bar
Working temperature	Max. 150°C
Tubes	Metal tubes and plastic tubes with inner reinforcement

### TAPER STRAIGHT MALE



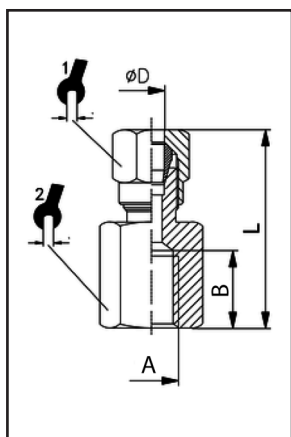
TYPE	L	A	B	ØD	CH1	CH2	q.ty
RG1-DM-4/01	27	R 1/8	8	4	10	10	100
RG1-DM-6/01	28	R 1/8	8	6	12	12	100
RG1-DM-6/02	32,5	R 1/4	11	6	12	14	100
RG1-DM-8/01	29,5	R 1/8	8	8	14	12	100
RG1-DM-8/02	33	R 1/4	11	8	14	14	100
RG1-DM-8/03	33	R 3/8	11,5	8	14	17	100
RG1-DM-10/02	37,5	R 1/4	11	10	19	17	100
RG1-DM-10/03	38	R 3/8	11,5	10	19	17	100
RG1-DM-10/04	40,5	R 1/2	14	10	19	22	50
RG1-DM-12/03	39	R 3/8	11,5	12	22	19	50
RG1-DM-12/04	41	R 1/2	14	12	22	22	50
RG1-DM-14/04	42,5	R 1/2	14	14	27	22	50
RG1-DM-15/04	42,5	R 1/2	14	15	27	22	50
RG1-DM-16/04	42	R 1/2	14	16	30	24	25
RG1-DM-18/04	43	R 1/2	14	18	32	26	25

### PARALLEL STRAIGHT MALE



TYPE	L	A	B	ØD	CH1	CH2	q.ty
RG-DM-4/01	25	G 1/8	6	4	10	14	100
RG-DM-6/01	26	G 1/8	6	6	12	13	100
RG-DM-6/02	29,5	G 1/4	8	6	12	17	100
RG-DM-8/01	27,5	G 1/8	6	8	14	14	100
RG-DM-8/02	30	G 1/4	8	8	14	17	50
RG-DM-10/02	34,5	G 1/4	8	10	19	17	50
RG-DM-10/03	36	G 3/8	9	10	19	19	50
RG-DM-12/03	40	G 3/8	10	12	22	22	50
RG-DM-12/04	42	G 1/2	12	12	22	27	50

### PARALLEL STRAIGHT FEMALE

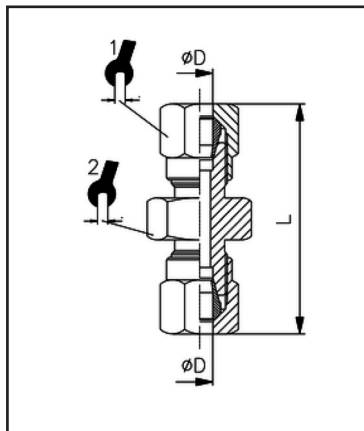


TYPE	L	A	B	ØD	CH1	CH2	q.ty
RG-DF-4/01	24,5	G 1/8	8	4	10	14	100
RG-DF-6/01	25,5	G 1/8	8,5	6	12	14	100
RG-DF-6/02	30	G 1/4	11	6	12	17	100
RG-DF-8/01	26,5	G 1/8	8	8	14	14	100
RG-DF-8/02	31	G 1/4	11	8	14	17	100
RG-DF-8/03	31	G 3/8	11,5	8	14	20	100
RG-DF-10/02	35,5	G 1/4	11	10	19	17	100
RG-DF-10/03	36,5	G 3/8	11,5	10	19	20	100
RG-DF-12/03	35	G 3/8	11,5	12	22	20	50
RG-DF-12/04	37	G 1/2	15	12	22	24	50
RG-DF-14/04	40	G 1/2	15	14	27	24	50
RG-DF-15/04	40	G 1/2	15	15	27	24	50
RG-DF-16/04	40,5	G 1/2	15	16	30	24	50
RG-DF-18/04	40	G 1/2	15	18	32	26	50

Compression fittings

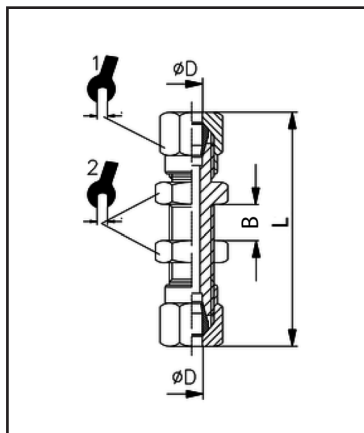
series **RG**

UNION STRAIGHT



TYPE	L	ØD	CH1	CH2	q.ty
RG-DI-4	34	4	10	10	100
RG-DI-6	35	6	12	12	100
RG-DI-8	38,5	8	14	14	100
RG-DI-10	47,5	10	19	17	100
RG-DI-12	46	12	22	19	50
RG-DI-14	53	14	27	24	50
RG-DI-15	50	15	27	24	50
RG-DI-16	53,5	16	30	27	25
RG-DI-18	53	18	32	27	25

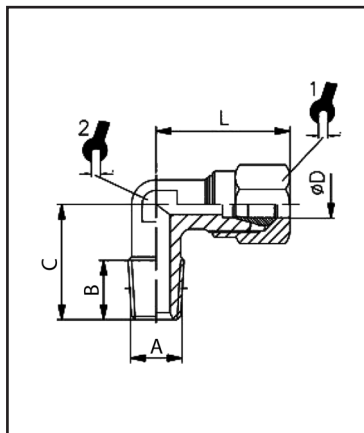
BULKHEAD CONNECTOR



TYPE	B max	L	ØD	CH1	CH2	q.ty
RG-P-6	15,5	51,5	6	12	14	100
RG-P-8	16,5	55,5	8	14	16	100
RG-P-10	15,5	62,5	10	19	19	50
RG-P-12	16	64,5	12	22	22	50
RG-P-15	18	69,5	15	27	25	50

5

TAPER FIXED MALE ELBOW

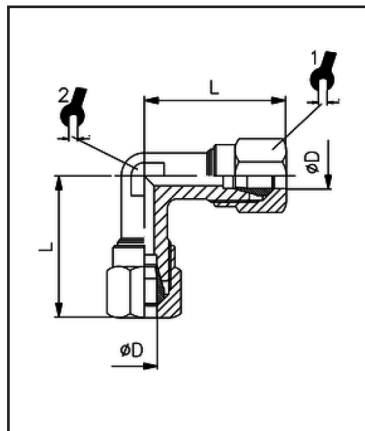


TYPE	L	A	B	C	ØD	CH1	CH2	q.ty
RG1-GM-4/01	21	R 1/8	8	16	4	10	9	100
RG1-GM-6/01	22	R 1/8	8	16	6	12	9	100
RG1-GM-6/02	24,5	R 1/4	11	20	6	12	11	100
RG1-GM-8/01	24	R 1/8	8	17	8	14	11	100
RG1-GM-8/02	24	R 1/4	11	20	8	14	11	100
RG1-GM-8/03	27	R 3/8	11,5	24	8	14	13	100
RG1-GM-10/02	32	R 1/4	11	23,5	10	19	13	100
RG1-GM-10/03	32	R 3/8	11,5	24	10	19	13	100
RG1-GM-10/04	34	R 1/2	14	28,5	10	19	15	50
RG1-GM-12/03	34,5	R 3/8	11,5	25,5	12	22	15	50
RG1-GM-12/04	34,5	R 1/2	14	28,5	12	22	15	50
RG1-GM-14/04	38	R 1/2	14	30	14	27	17	50
RG1-GM-15/04	38	R 1/2	14	30	15	27	17	50
RG1-GM-16/04	39,5	R 1/2	14	31,5	16	30	19	25
RG1-GM-18/04	44	R 1/2	14	34	18	32	22	25

# series RG

## Compression fittings

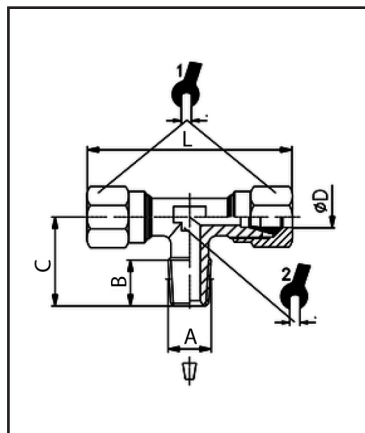
### UNION ELBOW



TYPE	L	ØD	CH1	CH2	q.ty
RG-GI-4	21	4	10	9	100
RG-GI-6	23	6	12	9	100
RG-GI-8	24	8	14	11	100
RG-GI-10	32	10	19	13	50
RG-GI-12	34,5	12	22	15	50
RG-GI-14	38	14	27	17	25
RG-GI-15	38	15	27	17	25
RG-GI-16	39,5	16	30	19	25
RG-GI-18	44	18	32	22	25

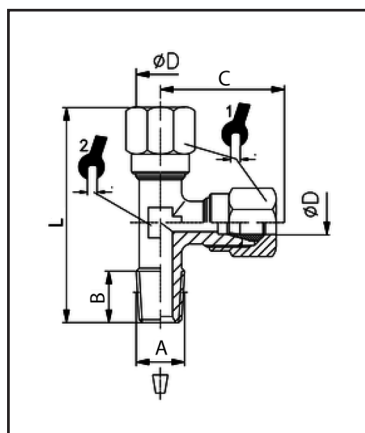
## 5

### TAPER CENTRAL MALE TEE



TYPE	L	A	B	C	ØD	CH1	CH2	q.ty
RG1-TC-4/01	42	R 1/8	8	16	4	10	9	100
RG1-TC-6/01	46	R 1/8	8	16	6	12	9	100
RG1-TC-6/02	48	R 1/4	11	20	6	12	11	100
RG1-TC-8/01	48	R 1/8	8	17	8	14	11	100
RG1-TC-8/02	48	R 1/4	11	20	8	14	11	100
RG1-TC-8/03	54	R 3/8	11,5	24	8	14	13	100
RG1-TC-10/02	64	R 1/4	11	23,5	10	19	13	100
RG1-TC-10/03	64	R 3/8	11,5	24	10	19	13	100
RG1-TC-12/03	69	R 3/8	11,5	25,5	12	22	15	50
RG1-TC-12/04	69	R 1/2	14	28,5	12	22	14	50
RG1-TC-14/04	76	R 1/2	14	30	14	27	17	50
RG1-TC-15/04	76	R 1/2	14	30	15	27	17	50
RG1-TC-16/04	79	R 1/2	14	31,5	16	30	19	50
RG1-TC-18/04	88	R 1/2	14	34	18	32	22	25

### TAPER LATERAL MALE TEE

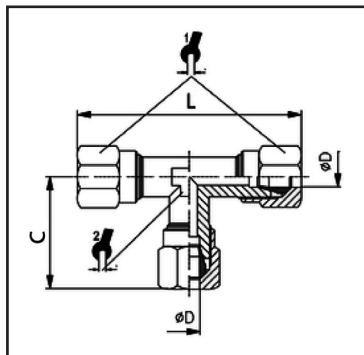


TYPE	L	A	B	C	ØD	CH1	CH2	q.ty
RG1-TL-4/01	37	R 1/8	8	21	4	10	9	100
RG1-TL-6/01	39	R 1/8	8	23	6	12	9	100
RG1-TL-6/02	44,5	R 1/4	11	24,5	6	12	11	100
RG1-TL-8/01	41	R 1/8	8	24	8	14	11	100
RG1-TL-8/02	44	R 1/4	11	24	8	14	12	100
RG1-TL-8/03	51	R 3/8	11,5	27	8	14	13	100
RG1-TL-10/02	55,5	R 1/4	11	32	10	19	13	100
RG1-TL-10/03	56	R 3/8	11,5	32	10	19	13	100
RG1-TL-12/03	60	R 3/8	11,5	34,5	12	22	15	50
RG1-TL-12/04	63	R 1/2	14	34,5	12	22	15	50
RG1-TL-14/04	68	R 1/2	14	38	14	27	17	50
RG1-TL-15/04	68	R 1/2	14	38	15	27	17	50
RG1-TL-16/04	71	R 1/2	14	39,5	16	30	19	50
RG1-TL-18/04	78	R 1/2	14	44	18	32	22	25

Compression fittings

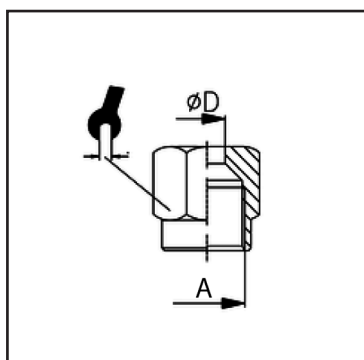
series **RG**

UNION TEE



TYPE	L	C	ØD	CH1	CH2	q.ty
RG-TI-4	42	21	4	10	9	50
RG-TI-6	46	23	6	12	9	50
RG-TI-8	48	24	8	14	11	50
RG-TI-10	64	32	10	19	13	50
RG-TI-12	69	34,5	12	22	15	50
RG-TI-14	76	38	14	27	17	50
RG-TI-15	76	38	15	27	17	50
RG-TI-16	79	39,5	16	30	19	25
RG-TI-18	88	44	18	32	22	25

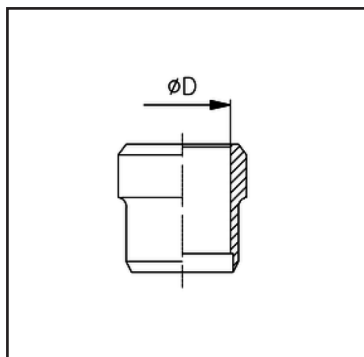
UNION NUT



TYPE	A	ØD	CH1	q.ty
RG-D-4	M8X1	4	10	100
RG-D-6	M10X1	6	12	100
RG-D-8	M12X1	8	14	100
RG-D-10	M16X1,5	10	19	100
RG-D-12	M18X1,5	12	22	100
RG-D-14	M22X1,5	14	27	100
RG-D-15	M22X1,5	15	27	100
RG-D-16	M24X1,5	16	30	50
RG-D-18	M26X1,5	18	32	50

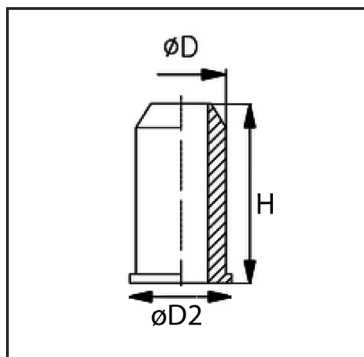
5

OGIVE



TYPE	ØD	q.ty
RG-O-4	4	100
RG-O-6	6	100
RG-O-8	8	100
RG-O-10	10	100
RG-O-12	12	100
RG-O-14	14	100
RG-O-15	15	100
RG-O-16	16	50
RG-O-18	18	50

REINFORCING SLEEVE



TYPE	ØD1	ØD2	H	q.ty
RG-AR-2	2	3,5	8	100
RG-AR-4	4	5	10	100
RG-AR-6	6	8	15	100
RG-AR-8	8	10	15	100
RG-AR-10	10	12	15	100
RG-AR-12	12	14,3	15	100
RG-AR-14	14	17,3	18	100
RG-AR-18	18	21,3	20	100