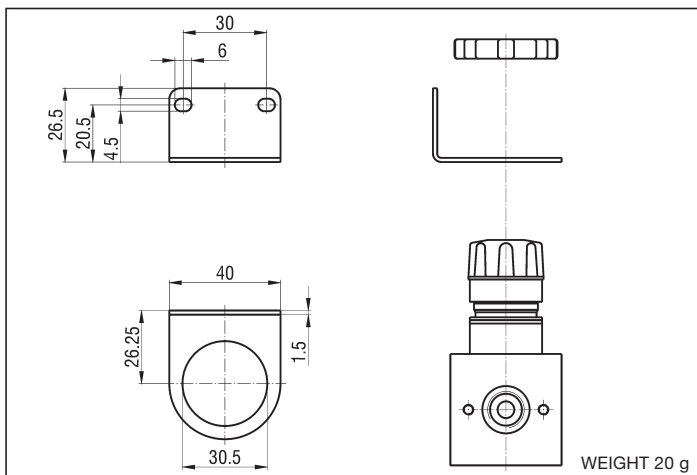


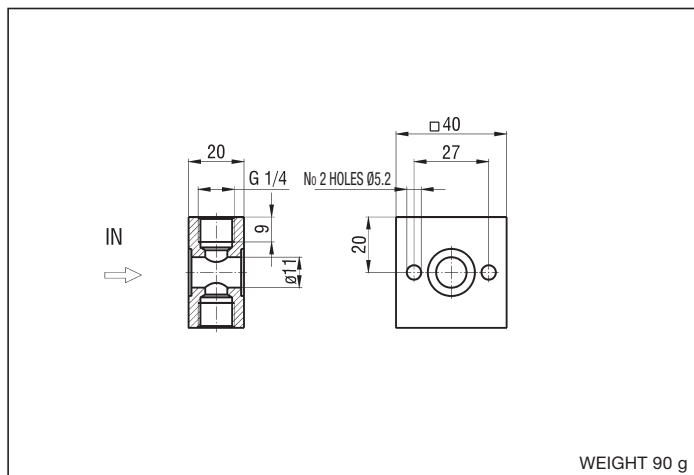
# series UZ

**Air treatment:  
accessories**

## MOUNTING BRACKET UZRHS



## INTERMEDIATE AIR INTAKE UZPR4 (screws included)



4

## ASSEMBLY SCREWS

Assembly screws F+R+L	UZ/SVG
Assembly screws FR+L	UZ/SVG/1
Assembly screws F+L	UZ/SVG/2
Assembly screws FR+L+AP - R+L+AP	UZAP/SVG
Assembly screws FR+AP - R+AP	UZAP/SVG/1
Assembly screws VL+F+R	UZVL/SVG
Assembly screws VL+FR - VL+R	UZVL/SVG/1

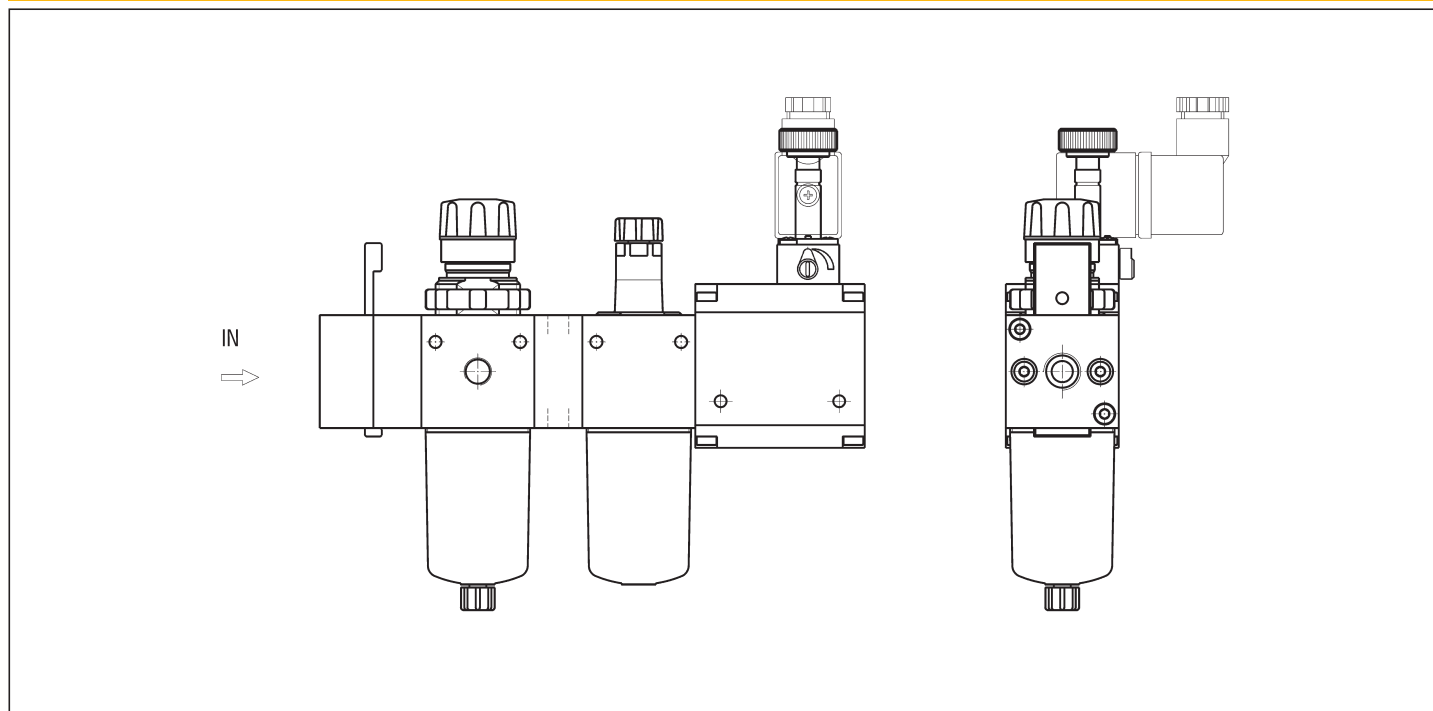
## WALL CLAMPING SCREWS

Clamping screws F-FR-R-L-AP	UZ/SVG/P
-----------------------------	----------

# series UZ

**Air treatment:  
example of assembly**

## SHUT-OFF VALVE + FILTER + REDUCER + INTERMEDIATE AIR INTAKE + LUBRICATOR + SOFT-START VALVE

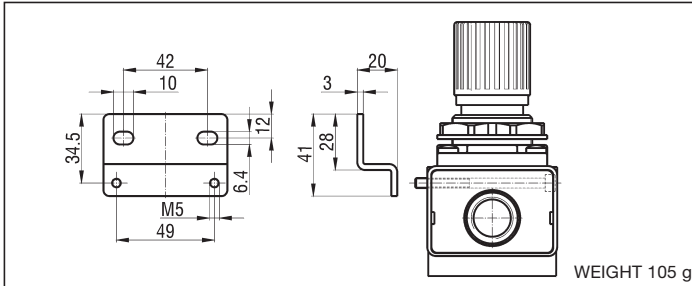


**Air treatment:  
accessories**

**series EZ**

**MOUNTING BRACKET G 3/8 - UZRHS (see drawing on page 4.10)**

**MOUNTING BRACKET G 1/2 - EZS2/3**



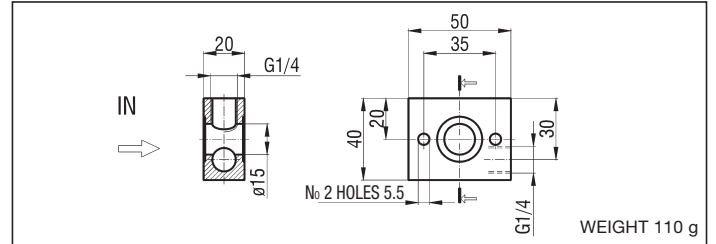
**ASSEMBLY SCREWS**

DESCRIPTION	SIZE		
	3	2	1
Assembly screws F+R+L	EZ3/SVG	EZ2/SVG	EZ1/SVG
Assembly screws FR+L	EZ3/SVG/1	EZ2/SVG/1	EZ1/SVG/1
Assembly screws F+L	EZ3/SVG/2	EZ2/SVG/1	EZ1/SVG/2
Assembly screws FR+L+AP - R+L+AP	EZAP3/SVG	EZAP2/SVG	EZAP1/SVG
Assembly screws FR+AP - R+AP	EZAP3/SVG/1	EZAP2/SVG/1	EZAP1/SVG/1
Assembly screws VL+F+R	EZVL3/SVG	EZVL2/SVG	EZVL1/SVG
Assembly screws VL+FR - VL+R	EZVL3/SVG/1	EZVL2/SVG/1	EZVL1/SVG/1

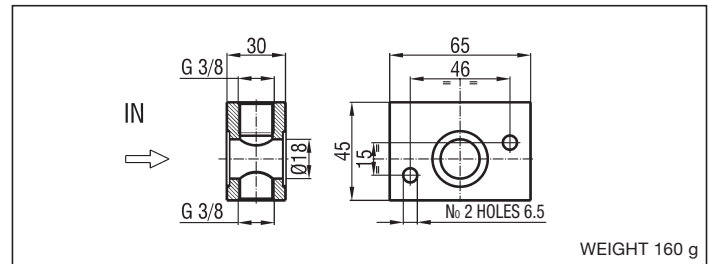
**WALL CLAMPING SCREWS**

DESCRIPTION	SIZE		
	3	2	1
Clamping screws F-FR-R-L-AP	EZ/SVG/P3	EZ/SVG/P2	EZ/SVG/P1

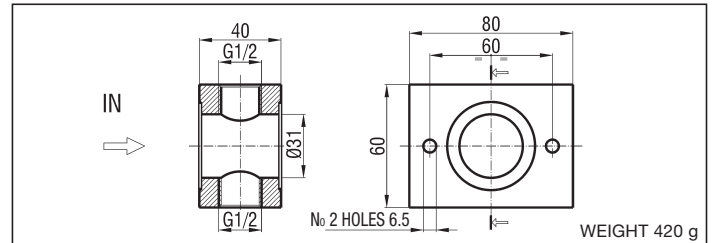
**INTERMEDIATE AIR INTAKE G 3/8 - EZPA3/3 (screws included)**



**INTERMEDIATE AIR INTAKE G 1/2 - EZPA2/3 (screws included)**



**INTERMEDIATE AIR INTAKE G 1 - EZPA1/3 (screws included)**

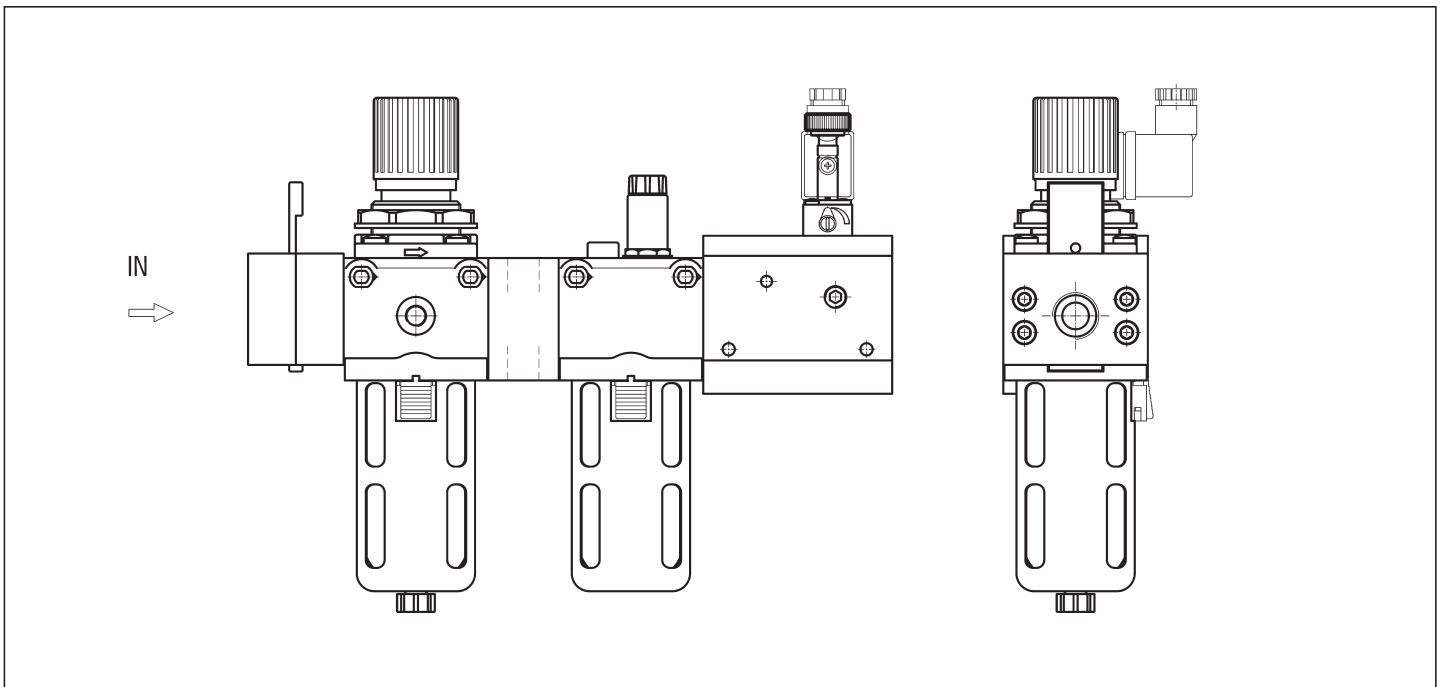


4

**Air treatment:  
example of assembly**

**series EZ**

**SHUT-OFF VALVE + FILTER + REDUCER + INTERMEDIATE AIR INTAKE + LUBRICATOR + SOFT-START VALVE**



# series MA

## Air treatment accessories: pressure gauges

### DESCRIPTION

Pressure gauges allow sensing the pressure in the pneumatic circuits. They are suitable to be applied directly on the pressure regulator or for panel mounting and they are available in the versions: axial (MA), radial (MR), with flange (MF) and with bracket (MP).



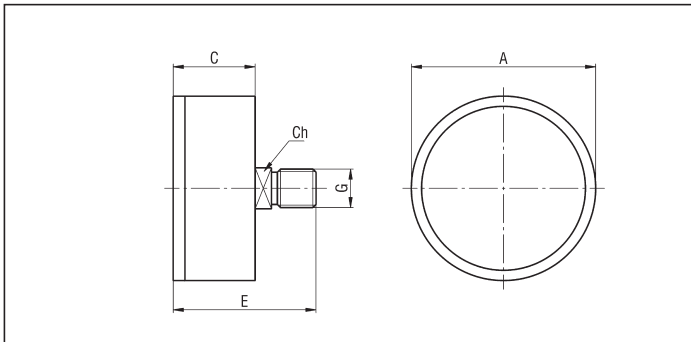
### TECHNICAL DATA

Operating pressure	0 ÷ 1 bar; 0 ÷ 4 bar; 0 ÷ 6 bar; 0 ÷ 12 bar
Working temperature	0 ÷ +70 °C (-20 °C with dry air)
Fluid	Filtered, unlubricated or continuous lubricated compressed air
Accuracy	Cl. 1.6 (EN 837-1)
Dial	Ø 40 - 50 - 63 - 100
Port size	G1/8 - G1/4
Fixing	Type MA - Direct axial mounting Type MR - Direct radial mounting Type MF - Panel mounting with flange Type MP - Panel mounting with bracket

### MATERIALS

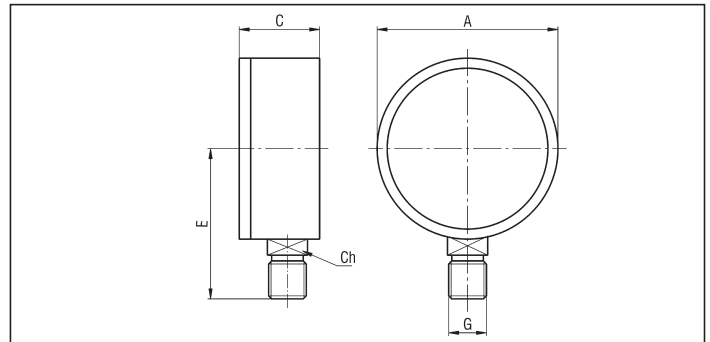
Case	Type MA: Black ABS Type MR: Black ABS Type MF: Black painted steel Type MP: Galvanized steel
Gauge crystal	Kostil
Port	Brass
Spring	Copper
Movement	Brass
Dial	White ABS

### AXIAL GAUGES TYPE MA



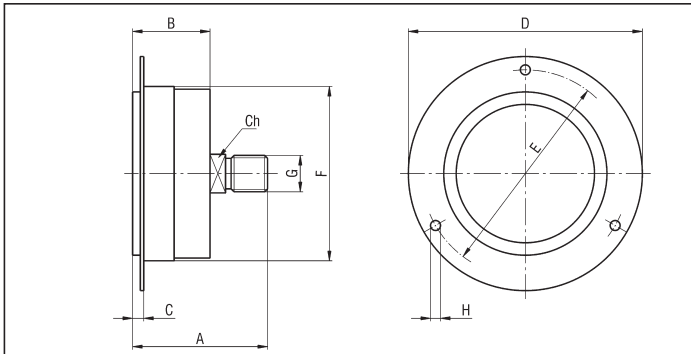
G	A	C	Ch	E	TYPE				WEIGHT (g)
					0 ÷ 1 bar	0 ÷ 4 bar	0 ÷ 6 bar	0 ÷ 12 bar	
G 1/8	40	24	12	40	MA 4/1	MA 4/4	MA 4/6	MA 4/12	48
G 1/8	52	28	14	52	MA 5/1	MA 5/4	MA 5/6	MA 5/12	75
G 1/4	63	29,5	14	54	MA 6/1	MA 6/4	MA 6/6	MA 6/12	90
G 3/8	100	36	17	65	-	-	-	MA 10/12	230

### RADIAL GAUGES TYPE MR



G	A	C	Ch	E	TYPE				WEIGHT (g)
					0 ÷ 1 bar	0 ÷ 4 bar	0 ÷ 6 bar	0 ÷ 12 bar	
G 1/8	40	24	12	37	MR 4/1	MR 4/4	MR 4/6	MR 4/12	42
G 1/8	51	28	14	48	MR 5/1	MR 5/4	MR 5/6	MR 5/12	68
G 1/4	63	29,5	14	54	MR 6/1	MR 6/4	MR 6/6	MR 6/12	84
G 3/8	100	36	17	78	-	-	-	MR 10/12	230

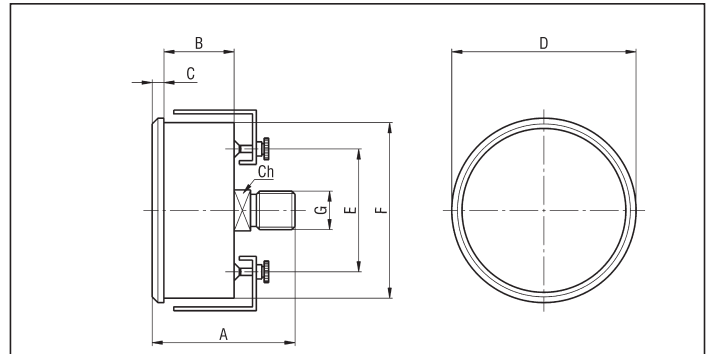
### AXIAL GAUGES WITH FLANGE TYPE MF



G	A	B	C	Ch	D	E	F	H
G 1/8	40,5	25,5	4	11	61	51	40,5	3,6
G 1/8	45	29	4	14	74,5	60	52,5	3,6
G 1/4	46,5	30	5,5	14	84,7	75	63,7	3,6
G 3/8	61	30	5	17	132	118	100,5	6

G	D	TYPE				WEIGHT (g)
		0 ÷ 1 bar	0 ÷ 4 bar	0 ÷ 6 bar	0 ÷ 12 bar	
G 1/8	61	MF 4/1	MF 4/4	MF 4/6	MF 4/12	82
G 1/8	74,5	MF 5/1	MF 5/4	MF 5/6	MF 5/12	120
G 1/4	84,7	MF 6/1	MF 6/4	MF 6/6	MF 6/12	150
G 3/8	132	-	-	-	MF 10/12	250

### AXIAL GAUGES WITH BRACKET TYPE MP



G	A	B	C	Ch	D	E	F
G 1/8	43	21	5	12	43	28	39
G 1/8	46	23	6	14	55,5	35	49
G 1/4	48	23	6	14	63,8	43	59

G	D	TYPE				WEIGHT (g)
		0 ÷ 1 bar	0 ÷ 4 bar	0 ÷ 6 bar	0 ÷ 12 bar	
G 1/8	43	MP 4/1	MP 4/4	MP 4/6	MP 4/12	82
G 1/8	55,5	MP 5/1	MP 5/4	MP 5/6	MP 5/12	120
G 1/4	63,8	MP 6/1	MP 6/4	MP 6/6	MP 6/12	150

**Air treatment accessories:  
pressure switches**

**series PR**

**DIGITAL/ANALOG PRESSURE SWITCH SERIES PRDA**

This series of switches has been expressly designed for the pressure detection of a wide range of fluids with elevate accuracy and resolution. This series has both digital and/or analog outputs and an integrated display with a frontal interface including three buttons to programme different functions (all described in the documentation that goes with the item) among which:

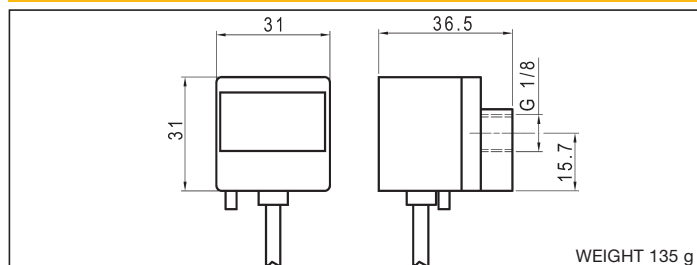
- setting the unit of measurement of the pressure;
- managing the outputs No.1 and No.2, depending on the set pressures.

This pressure switch, thanks to the very compact dimensions and to the 3 1/2 digit led display, is a very versatile item and suitable for the majority of the applications with not corrosive and incombustible gases, and with air. It is supplied completed with front protection cover and panel mounting system type SFPR.

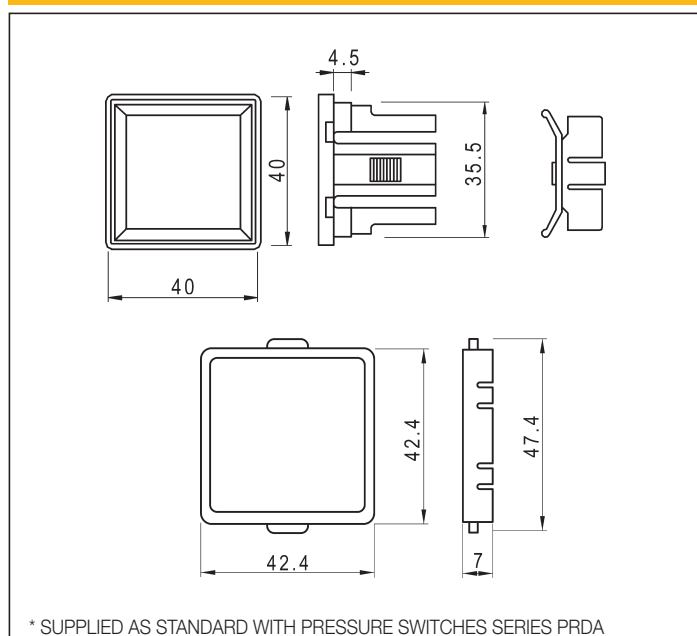
**TECHNICAL DATA**

Working temperature	0 ÷ +50 °C
Operating/setting pressure	-1 ÷ 10 bar (0 ÷ 10 bar recommended)
Power supply voltage	DC: 12 ÷ 24 V ± 10%
Fluid	Air; not corrosive and incombustible gases
Max. load current	80 mA
Average current consumption	55 mA
Protection class	IP 50
Response time	< 2.5 ms
Display accuracy	<± 2% F.S. ± 1 digit with ambient temperature of 25 ± 3 °C
Analog output	1 ÷ 5 V < ± 2.5%
Linearity analog output	± 1% F.S.
Display resolution	3 1/2 digit 7 segments LED (sampling frequency: 5 Hz)
Switch output	PNP; (NPN on request)
Unit of measurement	kPa, MPa, Bar, Psi
Hysteresis	Manually adjustable between the 1 to 10% of the rated pressure, or automatically arranged approximately to the 3% F.S.

**DIMENSIONS AND WEIGHT - PRDA**



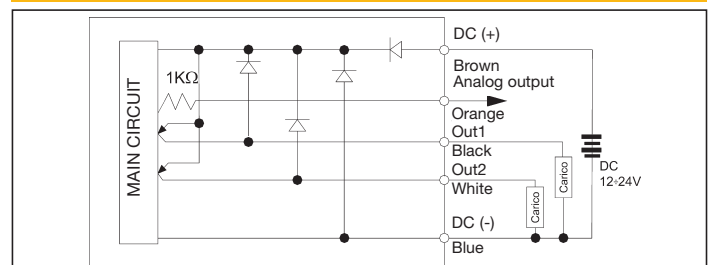
**PROTECTION COVER AND PANEL MOUNTING SYSTEM SFPR\***



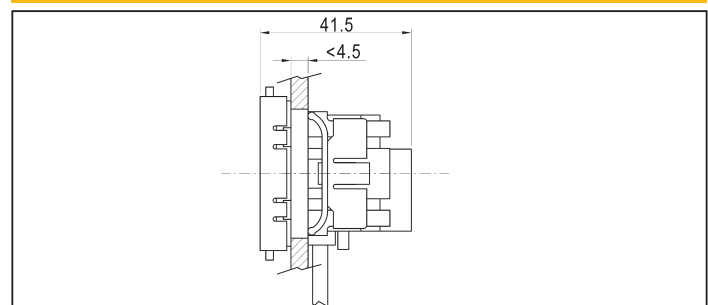
**MATERIALS**

Parts in contact with measured fluid	Carbon steel
Lead wire	5-conductors oil-proof cable
Electric connections	Brown: DC + Blue: DC - Black: OUT 1 White: OUT 2 Orange: Analog output

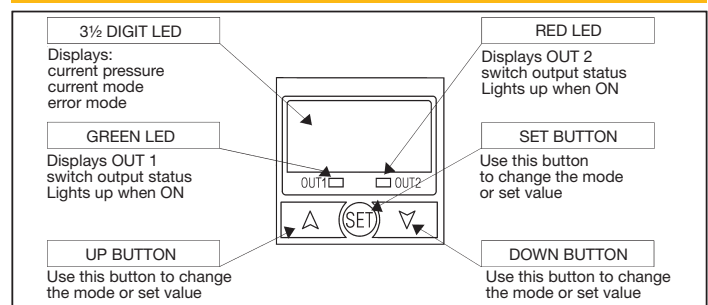
**INTERNAL CIRCUIT AND WIRING - PNP**



**TOTAL DIMENSIONS WITH SFPR**



**FRONTAL INTERFACE PRDA**



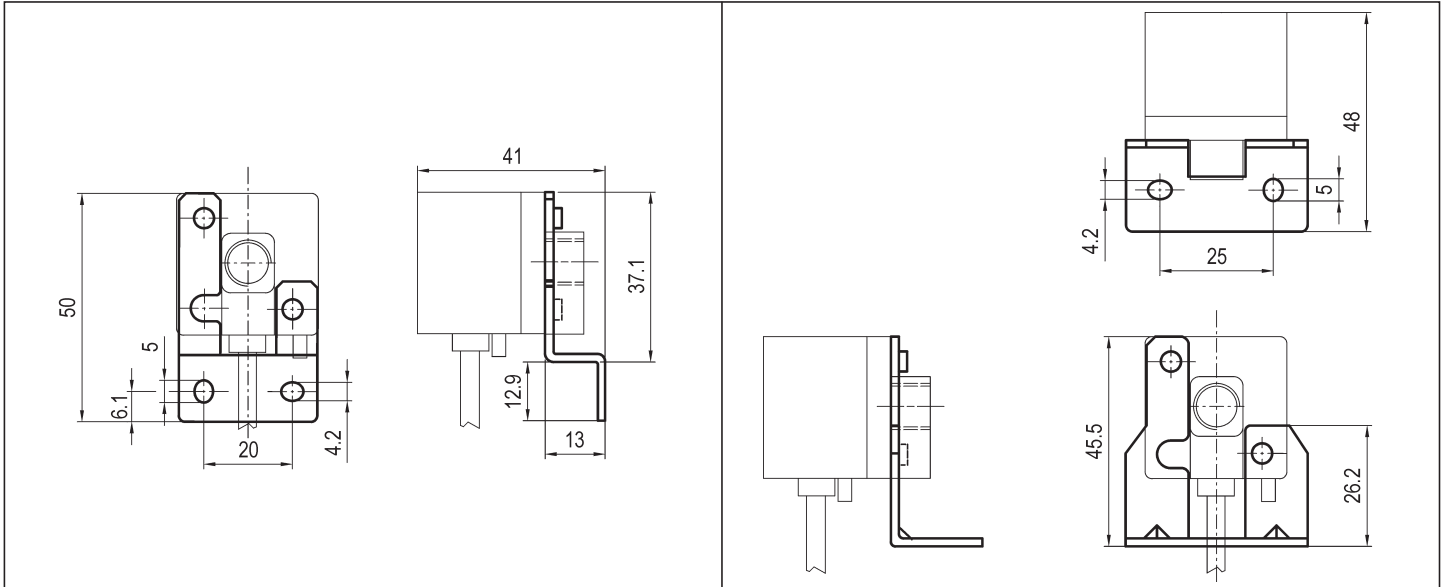
4

# series PR

## Air treatment accessories: pressure switches

4

### FIXING BRACKETS STPR (pair)



### DIAPHRAGM PRESSURE SWITCH SERIES PRC-PRA

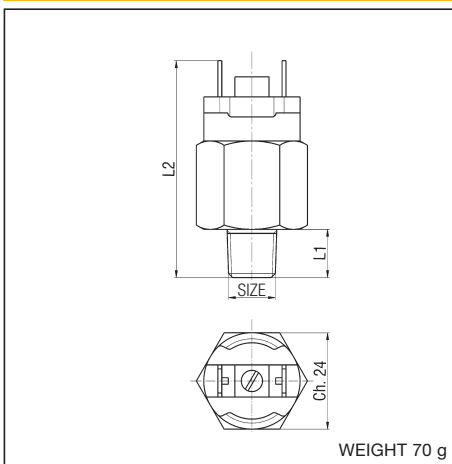
#### TECHNICAL DATA

Max. switched voltage	48 V AC - DC
Max. switched current	0,5 A
Max. fluid temperature	80 ÷ 120 °C
Adjusting range	1 ÷ 10 bar
Static overpressure	80 bar
Tolerance at 20 °C	0,5 bar
Hysteresis	6 ± 10% of setting value
Max. number of insertions	200 per minute

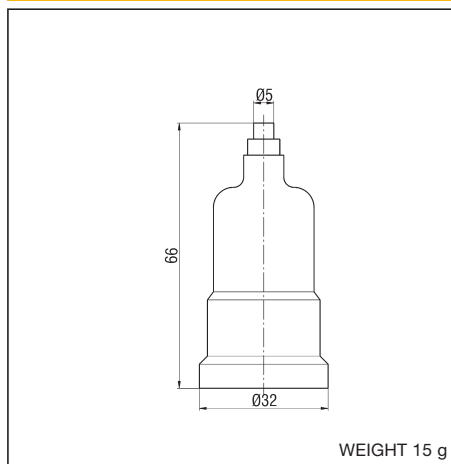
#### MATERIALS

Body	Brass
Diaphragm	FPM (Viton®)
Fixed contact	Silver
Moving contact	Phosphorous bronze with silver contact

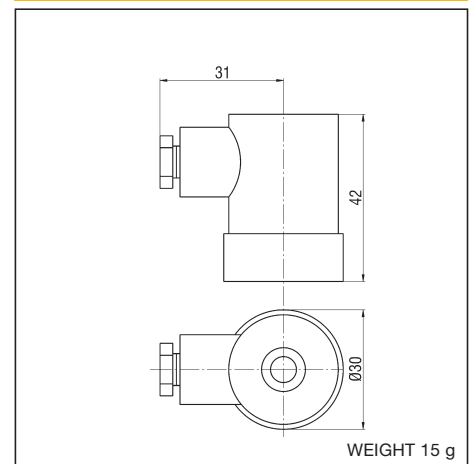
#### PRC - PRA



#### CONNECTOR (protection class IP54) - CN/PR54



#### CONNECTOR (protection class IP65) - CN/PR65



Symbol N.C.	Size	L1	L2	TYPE
	G 1/8	10	51	PRC8
	G 1/4	12	53	PRC4

Symbol N.O.	Size	L1	L2	TYPE
	G 1/8	10	51	PRA8
	G 1/4	12	53	PRA4

**Air treatment accessories:  
pressure switches**

**series PR**

**CONTACTS EXCHANGE PRESSURE SWITCH SERIES PRCA**

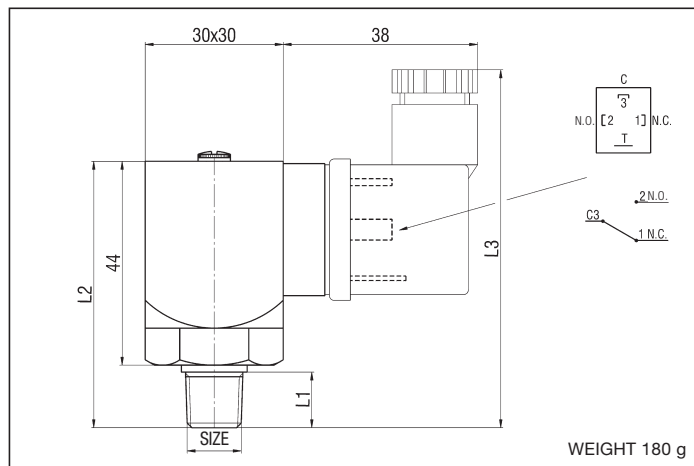
**TECHNICAL DATA**

Max. switched voltage	250 V AC; 30 V DC
Max. switched current	5 A in AC; 4 A in DC
Max. fluid temperature	100 °C
Protection class	IP 65
Adjusting range	0,5 ÷ 10 bar
Static overpressure	150 bar
Tolerance at 20 °C	0,2 bar
Hysteresis	15 ÷ 30% of setting value
Max. number of insertions	200 per minute
Connector (included)	ULR4P

**MATERIALS**

Body	Passivated steel
Electric box	Anodized aluminium alloy
Diaphragm	FPM (Viton®)

**PRCA**



Symbol N.C. / N.O.	Size	L1	L2	L3	TYPE*
	G 1/8	10	56	74	PRCA8
	G 1/4	12	53	76	PRCA4

\* These switches can rotate of 360°

4