

series UZ

Air treatment: filter reducer UZRRM /F G 1/4

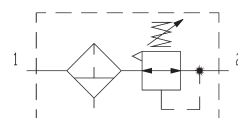
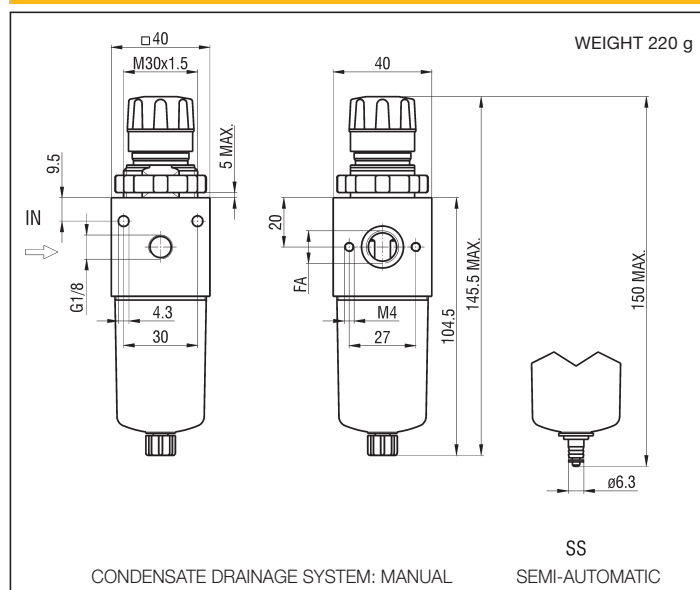
DESCRIPTION

Filter reducer series "UZRRM/F", produced with connections G 1/4, combine the characteristics of the filters and of the pressure reducers "UZ", thus optimising the overall dimension. They are in compliance with ATEX directive, 2GD category, upon request.

TECHNICAL DATA

Maximum pressure	16 bar
Working temperature	0 ÷ +50 °C (-10 °C with dry air)
Fluid	Compressed air
Port size	G 1/4
Pressure gauge port size	G 1/8
Void fraction	20 µm standard, 5 µm and 40 µm on request
Condensate drainage system	Manual or semi-automatic
Max. condensate capacity	9 cm ³ (do not exceed the level gauge)
Adjusting range (bar)	0,2 ÷ 2 - 0,4 ÷ 4 - 0,8 ÷ 9 - 1,5 ÷ 12
Type of mounting	Modular, in-line, wall and panel mounting
Wall clamping screws	M4x50

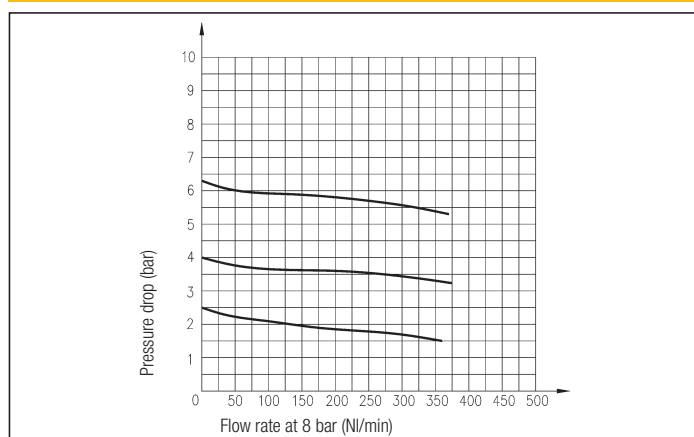
DIMENSIONS AND WEIGHT - UZRRM /F



MATERIALS

Body	Aluminium alloy
Bowl	Transparent techno-polymer with metallic protection or entirely metallic bowl (without visualization of level) on request
Filtering element	Sintered polyethylene 5 µm - orange 20 µm - white 40 µm - grey
Seals	NBR rubber
Baffle	Acetal resin
Closing plug	Brass, NBR rubber
Spring	Stainless steel
Knob	Acetal resin
Adjusting screw	Brass
Diaphragm	Brass, NBR rubber

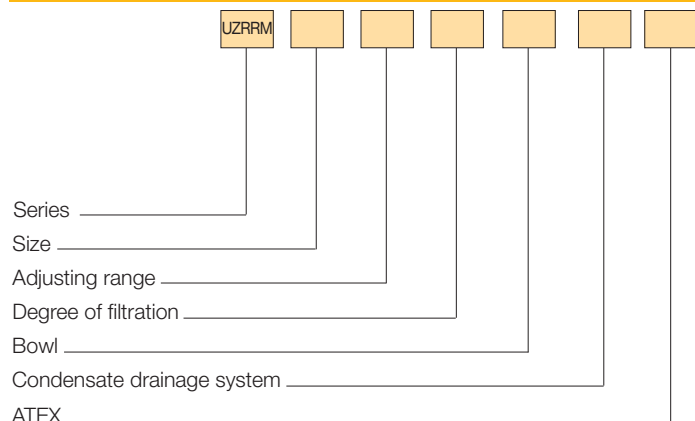
FLOW CHART - UZRRM /F



SPARE PARTS

See series "UZF" (on page 4.3) and "UZRR" (on page 4.4)

ORDER KEY



P.S.: Filters reducers can be supplied without the relieving seal on request; the series becomes **UZRM**...

SIZE

4 G 1/4

ADJUSTING RANGE

/3 0,2 ÷ 2 bar

/7 0,8 ÷ 9 bar

/5 0,4 ÷ 4 bar

/12 1,5 ÷ 12 bar

DEGREE OF FILTRATION

F5 5 µm

F40 40 µm

F20 20 µm

BOWL

TM Transparent

PM Metallic

PM Metallic protection

CONDENSATE DRAINAGE SYSTEM

Manual

/SS Semi-automatic

ATEX

/EX Consistent with the ATEX directive II 2GD c T5 T100°C -10°C ≤ Ta ≤ 50°C*

series EZ

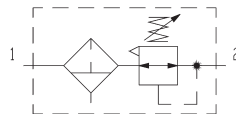
Air treatment: filter reducer EZRR /F G 3/8 - G 1/2 - G 1

DESCRIPTION

Filters reducers series "EZRR/F", produced with connections G 3/8, G 1/2 and G 1, combine the characteristics of the filters and of the pressure reducers series "EZ", thus optimizing the overall dimensions. They are in compliance with ATEX directive, 2GD category, upon request.

TECHNICAL DATA

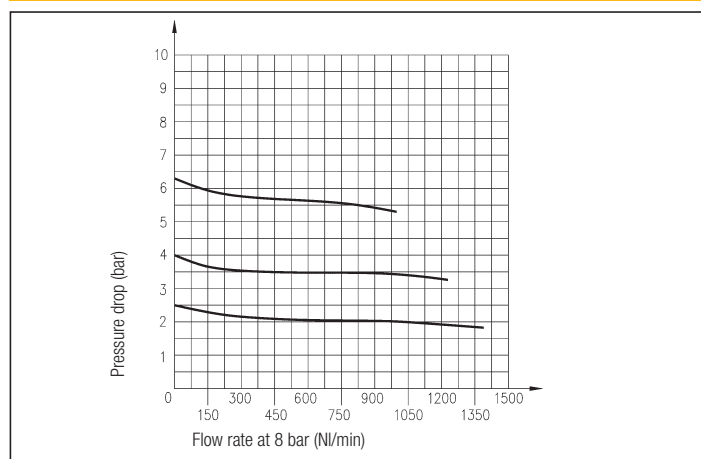
Maximum pressure	16 bar
Working temperature	0 ÷ +50 °C (-10 °C with dry air)
Fluid	Compressed air
Port size	G 3/8 - G 1/2 - G 1
Pressure gauge port size	G 1/8
Void fraction	G 3/8 - G 1/2: 20 µm standard, 5 µm and 40 µm on request G 1: 40 µm standard
Condensate drainage system	G 3/8: manual or semi-automatic G 1/2 - G 1: manual, semi-automatic or automatic
Max. condensate capacity	G 3/8 = 23 cm ³ G 1/2 = 58 cm ³ G 1 = 105 cm ³ (do not exceed the level gauge)
Adjusting range (bar)	0,2 ÷ 2 - 0,4 ÷ 4 - 0,8 ÷ 8
Type of mounting	Modular, in-line, wall and panel mounting
Wall clamping screws	G 3/8: M4x60 G 1/2: M5x70 G 1: M6x90



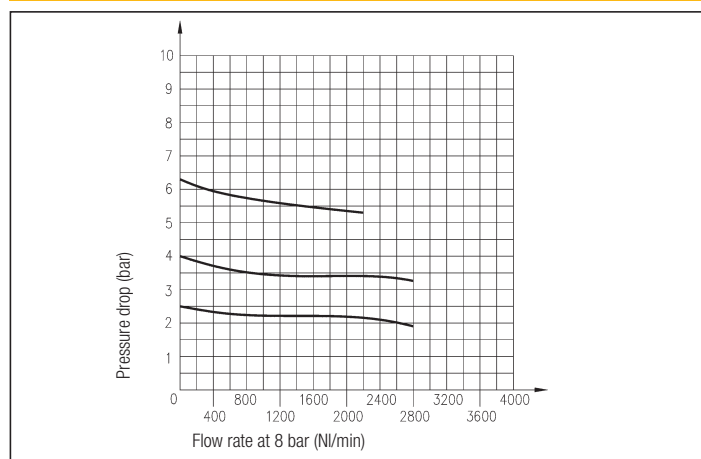
MATERIALS

Body	Aluminium alloy
Bowl	G 3/8: Transparent techno-polymer (protection made of glass stiffened polyamide on request) G 1/2 - G 1: Transparent techno-polymer with metallic protection as standard
Filtering element	G 3/8 - G 1/2: sintered polyethylene 5 µm - orange 20 µm - white 40 µm - grey G 1: sintered porous bronze
Seals	NBR rubber
Baffle	Acetal resin
Closing plug	Brass, NBR rubber
Spring	Stainless steel
Knob	Acetal resin
Adjusting screw	Brass
Diaphragm	Brass, friction

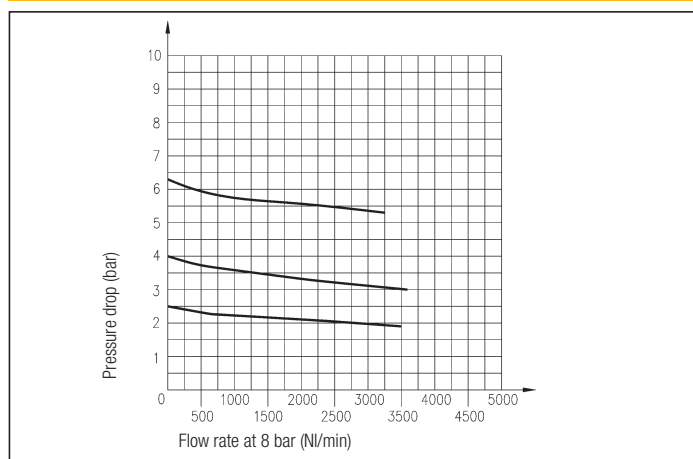
FLOW CHART - EZRR /F G 3/8



FLOW CHART - EZRR /F G 1/2



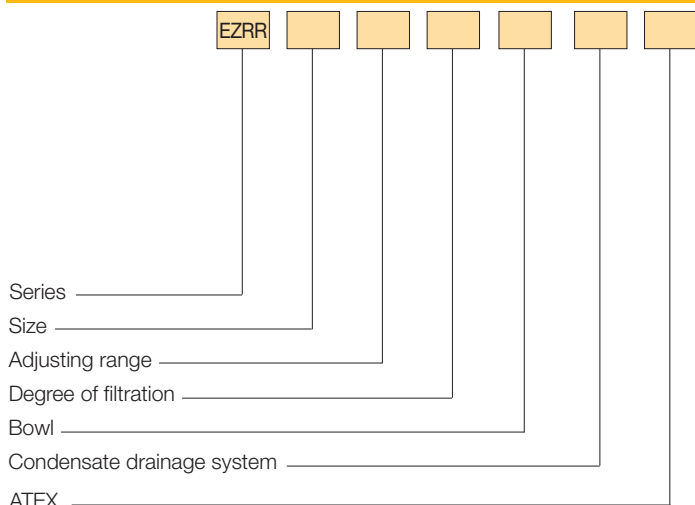
FLOW CHART - EZRR /F G 1



**Air treatment:
filter reducer EZRR /F G 3/8 - G 1/2 - G 1**

series EZ

ORDER KEY



SIZE			
3	G 3/8	2	G 1/2
1	G 1		
ADJUSTING RANGE			
/3	0,2 ÷ 2 bar	/5	0,4 ÷ 4 bar
/7	0,8 ÷ 8 bar		
DEGREE OF FILTRATION			
F5	5 µm*	F20	20 µm
F40	40 µm		
BOWL			
	Trasparent	PM	Protection**
CONDENSATE DRAINAGE SYSTEM			
/SM	Manual	/SS	Semi-automatic
/SA	Automatic***		
ATEX			
/EX Consistent with the ATEX directive II 2GD c T5 T100°C -10°C ≤ Ta ≤ 50°C			

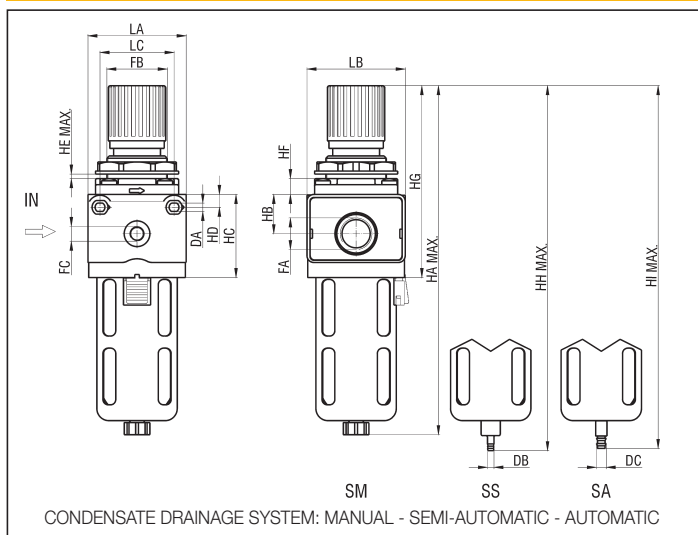
4

SPARE PARTS

See series **EZF** (on page 4.13) and **EZRR** (on page 4.15)

* Available only for sizes 3 and 2
 ** Metallic as standard for sizes 2 and 1, made of glass stiffened polyamide on request for size 3
 *** Available only for sizes 2 and 1
 P.S.: Filters reducers can be supplied without the relieving seal on request; the series becomes **EZR**...

DIMENSIONS AND WEIGHTS - EZRR /F



SIZE	DA	DB	DC	FA	FB	FC	HA	HB	HC	HD
3	4,5	G 1/8	-	G 3/8	M30x1,5	G 1/8	193	21	52	6
2	5,5	Ø 4,3	Ø 6,5	G 1/2	M40x1,5	G 1/8	231	26	55	8,5
1	6,6	G 1/8	Ø 6,5	G 1	-	G 1/8	337	31	76	9

SIZE	HE	HF	HG	HH	HI	LA	LB	LC	WEIGHT (g)
3	4	6	99	197	-	55	50	40	550
2	7	10,5	127	242	240	65	65	42	610
1	-	14	194,5	341	332	85	82	60	2790