

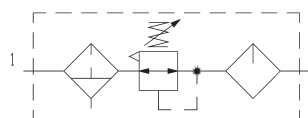
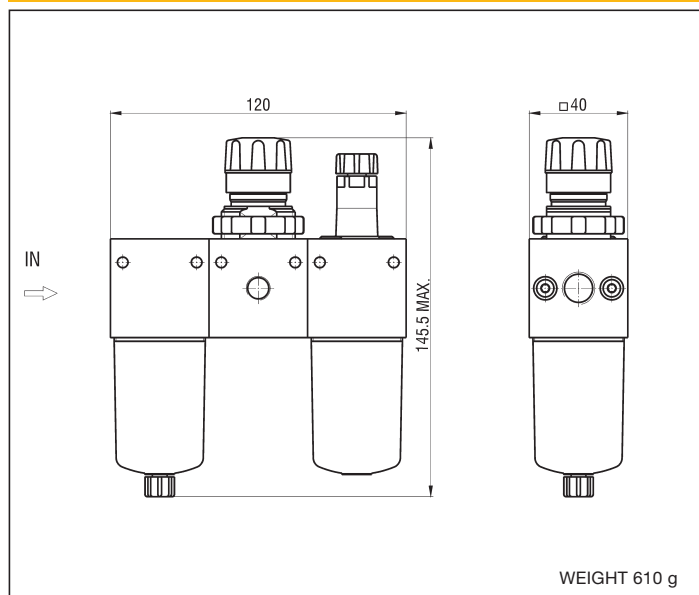
**Air treatment:
filter + reducer + lubricator G 1/4**

series UZ

TECHNICAL DATA

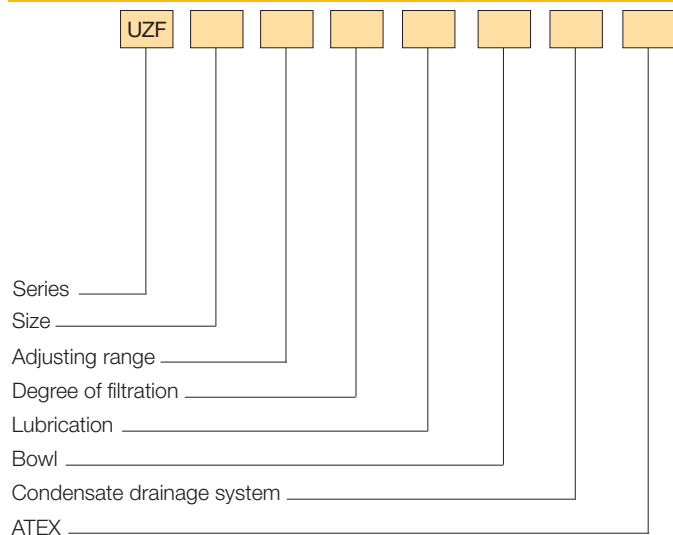
Maximum pressure	16 bar
Working temperature	0 ÷ +50 °C (-10° C with dry air)
Fluid	Compressed air
Port size	G 1/4
Pressure gauge port size	G 1/8
Flow rate at 6 bar ΔP=1 bar	220 NI/min
Wall clamping screws	M4x50

DIMENSIONS AND WEIGHT - F+R+L



4

ORDER KEY



SIZE	
4	G 1/4
DEGREE OF FILTRATION	
/5	5 µm
/40	40 µm
/20	20 µm
ADJUSTING RANGE	
RR3	0,2 ÷ 2 bar
RR7	0,8 ÷ 9 bar
RR5	0,4 ÷ 4 bar
RR12	1,5 ÷ 12 bar
LUBRICATION	
L	Oil mist (standard)
LM	Micro-oil mist
BOWL	
	Trasparent
/TM	Metallic
/PM	Metallic protection
CONDENSATE DRAINAGE SYSTEM	
	Manual
/SS	Semi-automatic
ATEX	
/EX Consistent with the ATEX directive II 2GD c T5 T100°C -10°C≤Ta≤50°C*	

P.S.: Filters + reducers + lubricators can be supplied without the relieving seal on request; the adjusting range becomes "R" (rather than "RR")

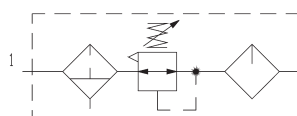
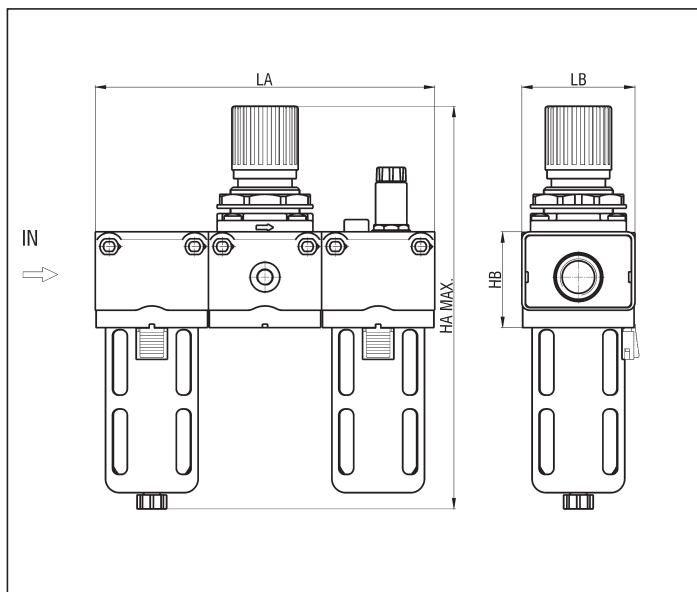
series EZ

**Air treatment:
filter + reducer + lubricator
G 3/8 - G 1/2 - G 1**

TECHNICAL DATA

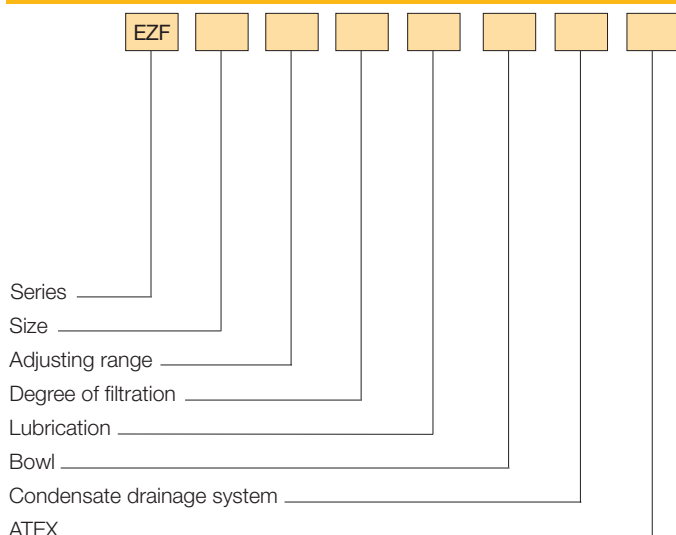
Maximum pressure	16 bar
Working temperature	0 ± +50 °C (-10 °C with dry air)
Fluid	Compressed air
Port size	G 3/8 - G 1/2 - G 1
Pressure gauge port size	G 1/8
Flow rate at 6 bar ΔP=1 bar	G 3/8 = 630 NI/min G 1/2 = 1100 NI/min G 1 = 2100 NI/min
Wall clamping screws	G 3/8: M4x60 G 1/2: M5x70 G 1: M6x90

DIMENSIONS AND WEIGHTS - F+R+L



SIZE	HA	HB	LA	LB	WEIGHT (g)
3	193	52	159	50	1260
2	231	55	195	65	1345
1	337	76	249	82	6080

ORDER KEY



SIZE	
3 G 3/8	2 G 1/2
1 G 1	
ADJUSTING RANGE	
RR3 0,2 ÷ 2 bar	RR5 0,4 ÷ 4 bar
RR7 0,8 ÷ 8 bar	
DEGREE OF FILTRATION	
/5 5 µm*	/20 20 µm
/40 40 µm	
LUBRICATION	
L Oil mist (standard)	LCA Oil mist, N.O. electric contact
LCC Oil mist, N.C. electric contact	
BOWL	
Transparent	/PM Protection**
CONDENSATE DRAINAGE SYSTEM	
/SM Manual	/SS Semi-automatic
/SA Automatic***	
ATEX	
/EX Consistent with the ATEX directive II 2GD c T5 T100°C -10°C ≤ Ta ≤ 50°C	

* Available only for sizes 3 and 2

** Metallic as standard for sizes 2 and 1, made of glass stiffened polyamide on request for size 3

*** Available only for sizes 2 and 1

P.S.: Filters + reducers + lubricators can be supplied without the relieving seal on request; the adjusting range becomes "R" (rather than "RR")