

# Air treatment: lubricator UZL G 1/4

# series UZ

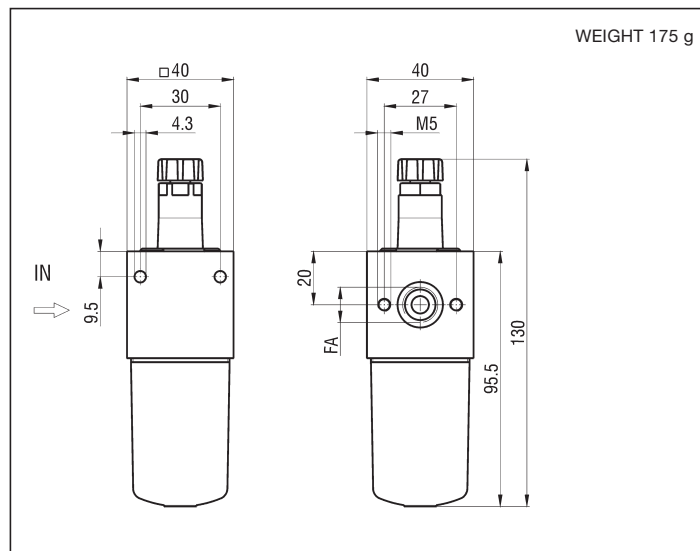
## DESCRIPTION

Lubricators series "UZL" are produced with connections G 1/4; the techno-polymer bowls can carry a metallic protection or being entirely metallic (without visualization of level). For a correct lubrication it is advisable to set the drip rate in order to have a drop of oil WAIRSOL class ISO15 every 300 - 500 NI/min. They are in compliance with ATEX directive, 2GD category, upon request.

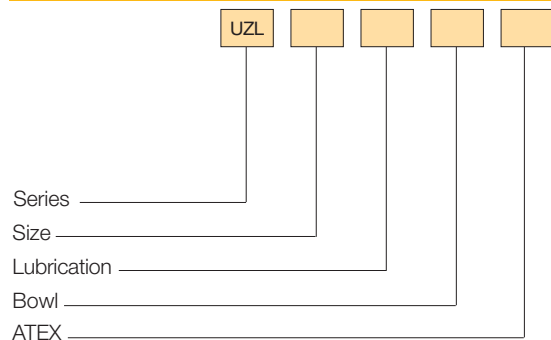
## TECHNICAL DATA

Maximum pressure	16 bar
Working temperature	0 ÷ +50 °C (-10 °C with dry air)
Fluid	Filtered compressed air
Port size	G 1/4
Bowl capacity	20 cm <sup>3</sup> (do not exceed the level gauge)
Type of mounting	Modular, in-line and wall-mounting
Wall clamping screws	M4x50
Minimum striking flow rate	20 NI/min

## DIMENSIONS AND WEIGHT - UZL



## ORDER KEY

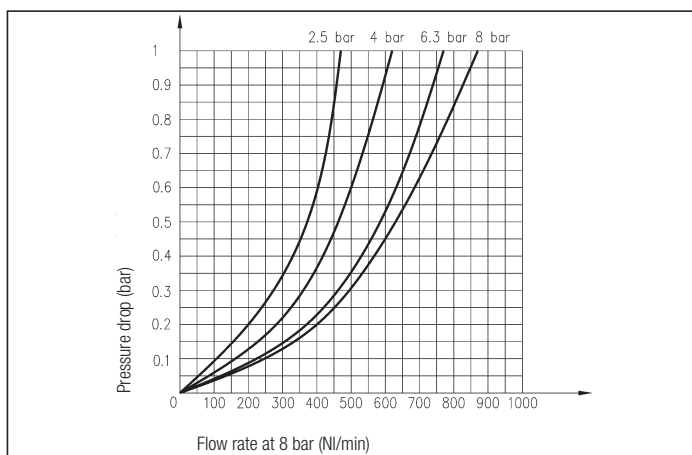


## MATERIALS

Body	Aluminium alloy
Bowl	Transparent techno-polymer with metallic protection or entirely metallic bowl (without visualization of level) on request
Seals	NBR rubber
Conduits	Acetal resin

4

## FLOW CHART - UZL



## SIZE

4 G 1/4

## LUBRICATION

Oil-mist **M** Micro oil-mist

## BOWL

Transparent **PM** Metallic protection

## TM

Metallic

## ATEX

/EX Consistent with the ATEX directive II 2GD c T5 T100°C -10°C ≤ Ta ≤ 50°C\*

## SPARE PARTS

Metallic protection	UZL/PM
Metallic bowl	UZL/TM
Techno-polymer bowl	UZL/SG/3
Clear flow indicator	UZL/SG/4

# series EZ

## Air treatment: lubricator EZL G 3/8 - G 1/2 - G 1

### DESCRIPTION

Lubricators series "EZL" are produced with connections G 3/8, G 1/2 and G 1; the techno-polymer bowls have a metallic protection as standard for the sizes G 1/2 and G 1, and made of glass stiffened polyamide on request for the size G 3/8.

For a correct lubrication it is advisable to set the drip rate in order to have a drop WAIRSOL class ISO15 every 300 - 500 NI/min. (oil mist lubrication). They are in compliance with ATEX directive, 2GD category, upon request.

### TECHNICAL DATA

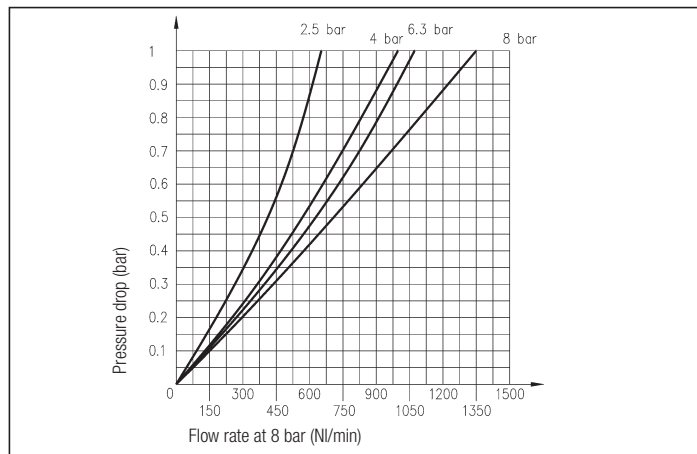
Maximum pressure	16 bar
Working temperature	0 ÷ +50 °C (-10 °C with dry air)
Fluid	Filtered compressed air
Port size	G 3/8 - G 1/2 - G 1
Bowl capacity	G 3/8 = 32 cm <sup>3</sup> G 1/2 = 76 cm <sup>3</sup> G 1 = 160 cm <sup>3</sup> (do not exceed the level gauge)
Type of mounting	Modular, in-line and wall-mounting
Wall clamping screws	G 3/8: M4x60 G 1/2: M5x70 G 1: M6x90
Minimum striking flow rate	G 3/8 = 25 NI/min G 1/2 = 25 NI/min G 1 = 50 NI/min



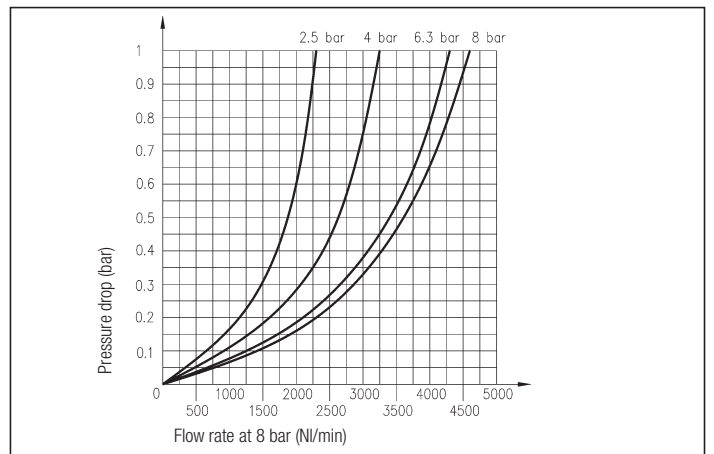
### MATERIALS

Body	Aluminium alloy
Bowl	G 3/8: Transparent techno-polymer (protection made of glass stiffened polyamide on request) G 1/2 - G 1: Transparent techno-polymer with metallic protection as standard
Seals	NBR rubber
Conduits	Acetal resin

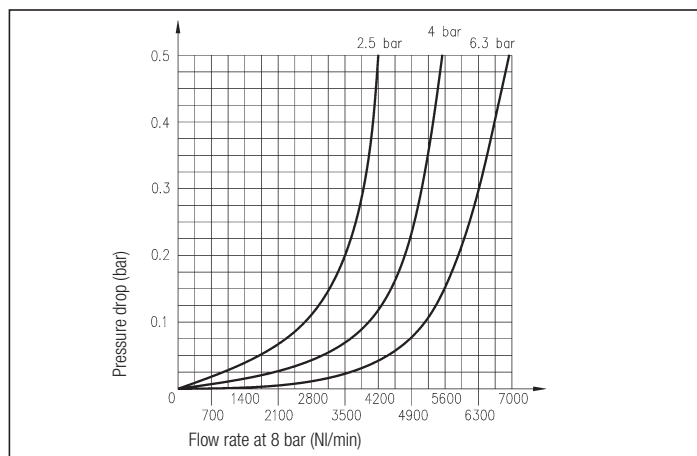
### FLOW CHART - EZL G 3/8



### FLOW CHART - EZL G 1/2



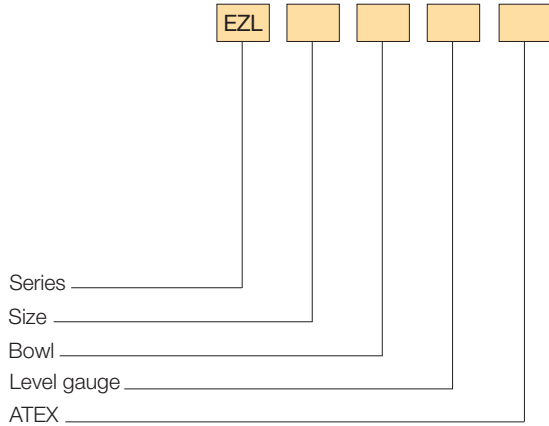
### FLOW CHART - EZL G 1



**Air treatment:  
lubricator EZL G 3/8 - G 1/2 - G 1**

**series EZ**

**ORDER KEY**



**SIZE**

<b>3</b>	G 3/8	<b>2</b>	G 1/2
<b>1</b>	G 1		

**BOWL**

Trasparent	<b>PM</b>	Protection*
------------	-----------	-------------

**LEVEL GAUGE**

Open electric

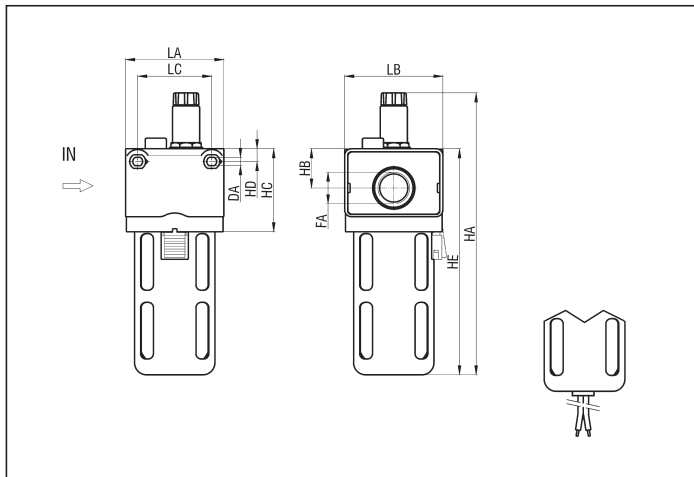
- /CA** Open electric contact when oil is present with 2 wires cable 0,5 m length
- /CC** Closed electric contact when oil is present with 2 wires cable 0,5 m length

**ATEX**

**/EX** Consistent with the ATEX directive II 2GD c T5 T100°C -10°C ≤ Ta ≤ 50°C

\* Metallic as standard for sizes 2 and 1, made of glass stiffened polyamide on request for size 3  
P.S.: Level gauge, in both the open and closed electric contact, is fed with a voltage range from 6 V to 50 V

**DIMENSIONS AND WEIGHTS - EZL**



**SPARE PARTS**

Lubricator bowl size 3	EZT/L3
Lubricator bowl size 2*	EZT/L2/PM
Lubricator bowl size 1	EZT/L1
Lubricator bowl for level gauge size 3	EZT/L3/SLC
Lubricator bowl for level gauge size 2*	EZT/L2/PM/SLC
Lubricator bowl for level gauge size 1	EZT/L1/SLC
Protection made of glass stiffened nylon size 3	EZ3/PM
Metallic protection size 1	EZ1/PM
Lubricator clear cover size 3	EZL3/C
Lubricator clear cover size 2	EZL2/C
Lubricator clear cover size 1	EZL1/C
Level gauge with open electric contact size 3	EZT/L3/SLA
Level gauge with open electric contact size 2*	EZT/L2/PM/SLA
Level gauge with open electric contact size 1	EZT/L1/SLA

\* The bowls size 2 are supplied with metallic protection as standard

SIZE	DA	FA	HA	HB	HC	HD	HE	LA	LB	LC	WEIGHT (g)
3	4,5	G 3/8	157,5	21	52	6	121	55	50	40	370
2	5,5	G 1/2	186,7	26	55	8,5	149,7	65	65	49	400
1	6,6	G 1	243,5	31	76	9	201	85	82	60	1780