

Air treatment: pressure reducer UZRR G 1/4

series UZ

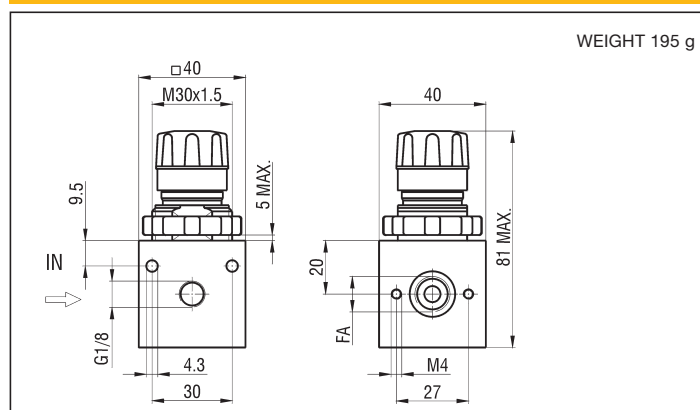
DESCRIPTION

Reducers series "UZRR" are produced in two different models: type UZRRH, fit for in-line or panel mounting and type UZRRM, fit for panel mounting or modular assembly (with filter and lubricator). Both the two models are available with different scales of regulation and with connections G 1/4. They are in compliance with ATEX directive, 2GD category, upon request.

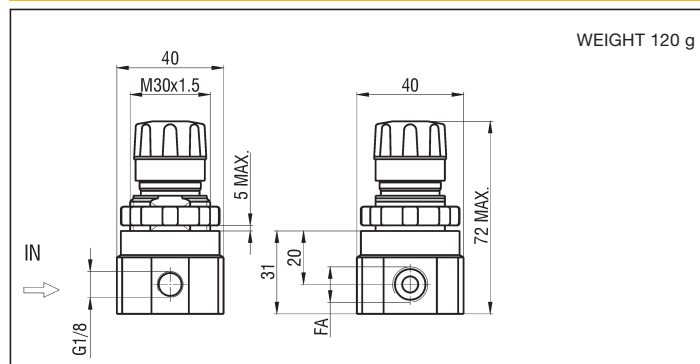
TECHNICAL DATA

Maximum pressure	16 bar
Working temperature	0 ÷ +50 °C (-10 °C with dry air)
Fluid	Filtered, lubricated and unlubricated compressed air
Port size	G 1/4
Pressure gauge port size	G 1/8
Adjusting range (bar)	0,2 ÷ 2 - 0,4 ÷ 4 - 0,8 ÷ 9 - 1,5 ÷ 12
Type of mounting	Modular, in-line, wall and panel mounting
Wall clamping screws	M4x50

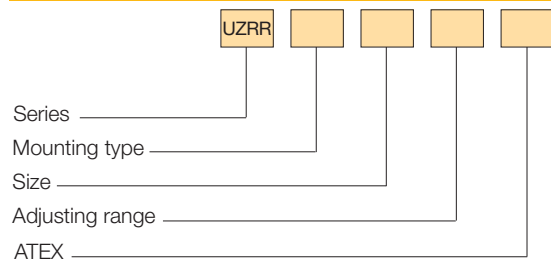
DIMENSIONS AND WEIGHT - UZRRM G 1/4



DIMENSIONS AND WEIGHT - UZRRH G 1/4



ORDER KEY



SPARE PARTS

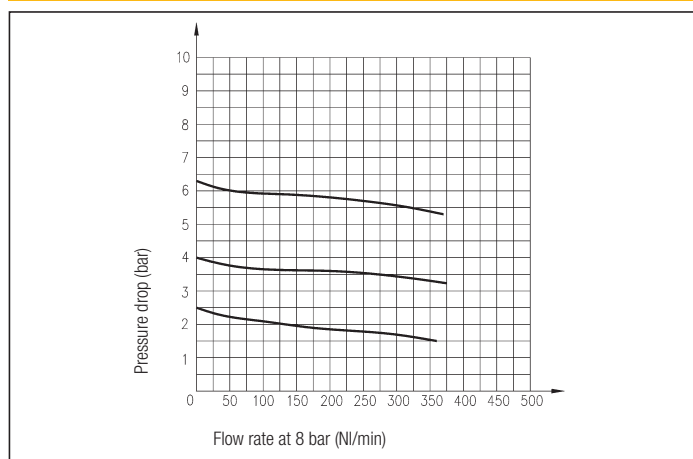
Relieving kit adjustment	UZRR/SG/6
Non-relieving kit adjustment	UZRR/SG/5



MATERIALS

Body	Aluminium alloy
Closing plug	Brass, NBR rubber
Spring	Stainless steel
Knob	Acetal resin
Adjusting screw	Brass
Diaphragm	Brass, NBR rubber

FLOW CHART - UZRR



MOUNTING TAPE

H For panel mounting M Modular

SIZE

4 G 1/4

ADJUSTING RANGE

/3 0,2 ÷ 2 bar /5 0,4 ÷ 4 bar
/7 0,8 ÷ 9 bar /12 1,5 ÷ 12 bar

ATEX

/EX Consistent with the ATEX directive II 2GD c T5 T100°C -10°C ≤ Ta ≤ 50°C

P.S.: Reducers can be supplied without the relieving seal on request; the series becomes **UZR**...

series EZ

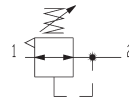
Air treatment: pressure reducer EZRR G 3/8 - G 1/2 - G 1

DESCRIPTION

Pressure reducers series "EZRR" are produced with connections G 3/8, G 1/2 and G 1; they are available with different scales of regulation and can be supplied without the relieving seal on request. They are in compliance with ATEX directive, 2GD category, upon request.

TECHNICAL DATA

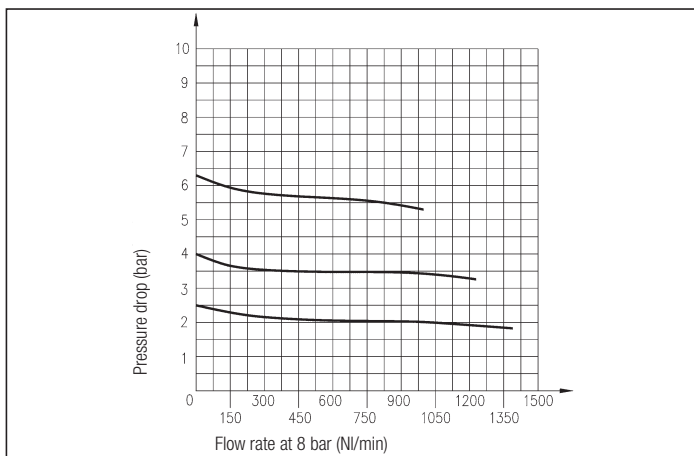
Maximum pressure	16 bar
Working temperature	0 ÷ +50 °C (-10° C with dry air)
Fluid	Filtered, lubricated and unlubricated compressed air
Port size	G 3/8 - G 1/2 - G 1
Pressure gauge port size	G 1/8
Adjusting range (bar)	0,2 ÷ 2 - 0,4 ÷ 4 - 0,8 ÷ 8
Type of mounting	Modular, in-line, wall and panel mounting
Wall clamping screws	G 3/8: M4x60 G 1/2: M5x70 G 1: M6x90



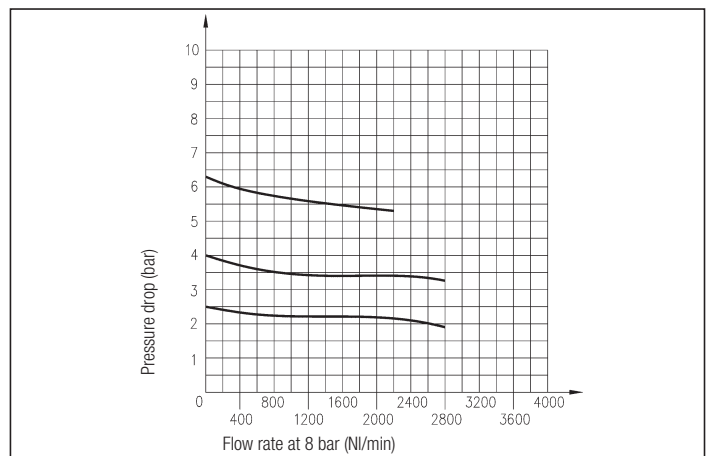
MATERIALS

Body	Aluminium alloy
Closing plug	Brass, NBR rubber
Spring	Stainless steel
Knob	Acetal resin
Adjusting screw	Brass
Diaphragm	Brass, friction

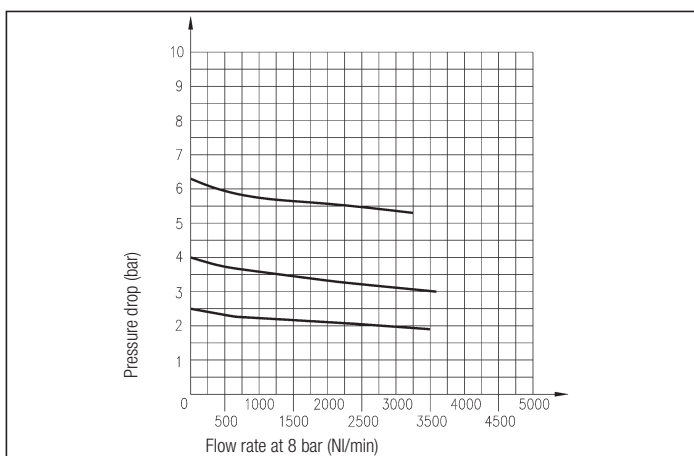
FLOW CHART - EZRR G 3/8



FLOW CHART - EZRR G 1/2



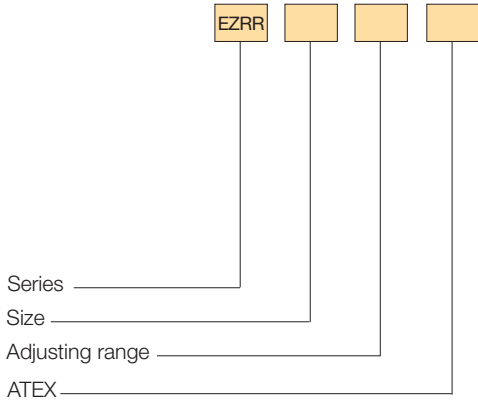
FLOW CHART - EZRR G 1



**Air treatment:
pressure reducer EZRR G 3/8 - G 1/2 - G 1**

series EZ

ORDER KEY



SIZE

3	G 3/8	2	G 1/2
1	G 1		

ADJUSTING RANGE

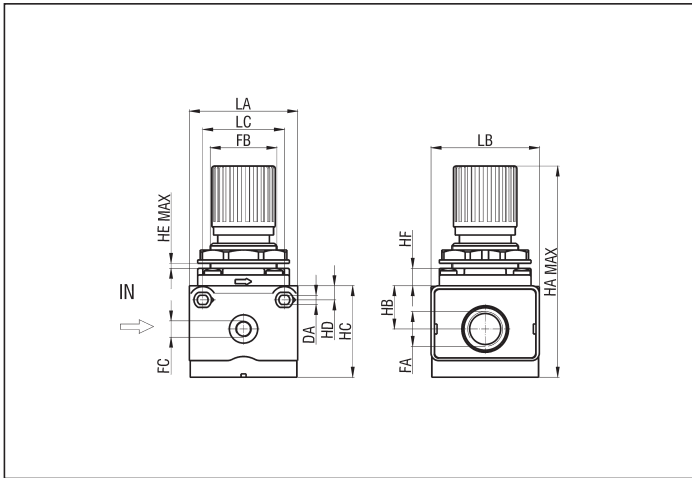
/3	0,2 ÷ 2 bar	/5	0,4 ÷ 4 bar
/7	0,8 ÷ 8 bar		

ATEX

/EX Consistent with the ATEX directive II 2GD c T5 T100°C -10°C≤T_a≤50°C

P.S.: Reducers can be supplied without the relieving seal on request; the series becomes **EZR...**

DIMENSIONS AND WEIGHTS - EZRR



SPARE PARTS

Relieving kit adjustment size 3	EZRR3/SG/6
Relieving kit adjustment size 2	EZRR2/SG/6
Relieving kit adjustment size 1	EZRR1/SG/6

SIZE	DA	FA	FB	FC	HA	HB	HC	HD	HE	HF	LA	LB	LC	WEIGHT (g)
3	4,5	G 3/8	M30x1,5	G 1/8	99	21	48	6	4	6	55	50	40	450
2	5,5	G 1/2	M40x1,5	G 1/8	127	26	55	8,5	7	10,5	65	65	49	465
1	6,6	G 1	-	G 1/8	194,5	31	76	9	-	14	85	82	60	2385