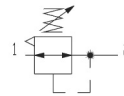


**Air treatment  
precision pressure reducer G 1/4**

**series RRP**

**DESCRIPTION**

Precision pressure reducers series "RRP" with constant leak (max. 10 l/min) are suitable for application as: process industry, laboratory, checking of balanced mechanisms, elements to tension etc. P.S.: Being high sensitivity components, we suggest the application of a filter with a degree of filtration of 5 µm upstream the precision pressure reducer, while they are not recommended for use in closed circuit (contact our technical office).



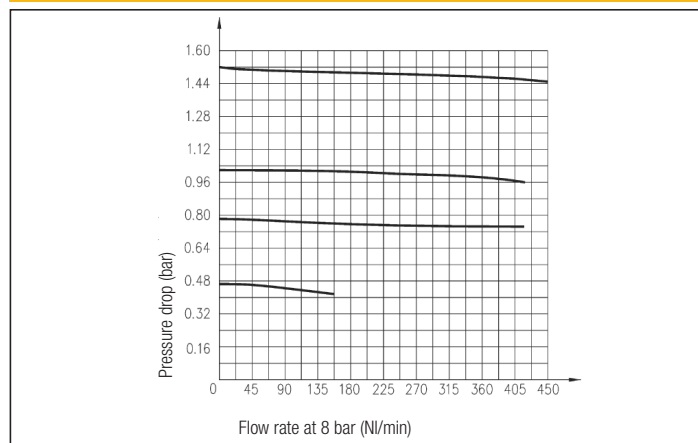
**TECHNICAL DATA**

|                          |  |
|--------------------------|--|
| Maximum pressure         | 10 bar   |
| Working temperature      | 0 ÷ +50°C (-10°C with dry air)                       |
| Fluid                    | Filtered, lubricated and unlubricated compressed air |
| Port size                | G 1/4  |
| Pressure gauge port size | G 1/8  |
| Adjusting range (bar)    | 0,02 ÷ 0,8; 0,1 ÷ 4; 0,5 ÷ 8                         |
| Reproducibility          | < 0,3% full-scale                                    |
| Sensibility              | < 0,7% full-scale                                    |
| Type of mounting         | In-line, wall and panel mounting                     |

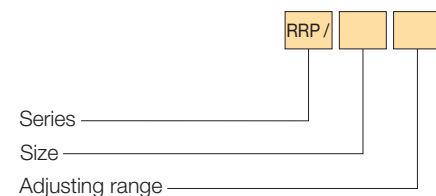
**MATERIALS**

|                 |                   |
|-----------------|-------------------|
| Body            | Aluminium alloy   |
| Closing plug    | Brass, NBR rubber |
| Spring          | Stainless steel   |
| Knob            | Acetal resin      |
| Adjusting screw | Brass             |
| Diaphragm       | Brass, NBR rubber |

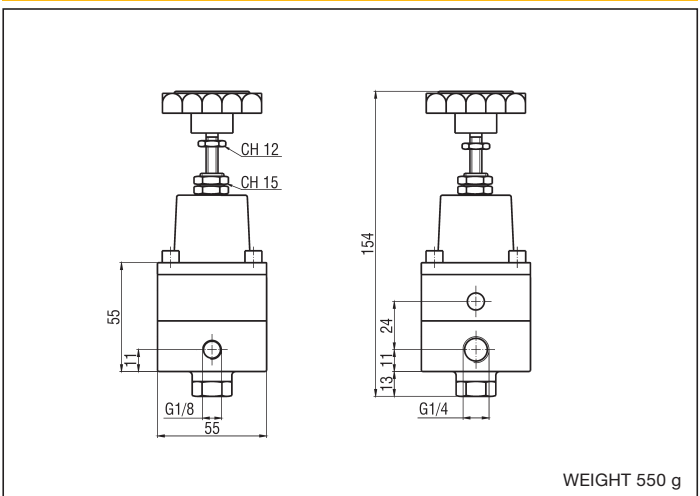
**FLOW CHART - RRP 4/1**



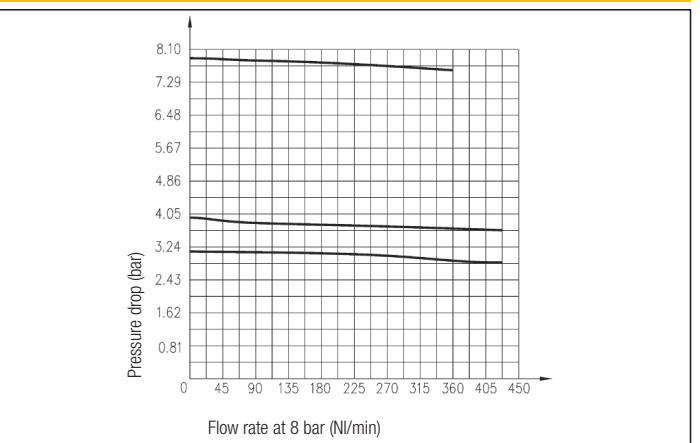
**ORDER KEY**



**DIMENSIONS AND WEIGHT RRP**



**FLOW CHART - RRP4/5-RRP4/7**



|                        |   |
|------------------------|---|
| <b>SIZE</b>            | 4 G 1/4   |
| <b>ADJUSTING RANGE</b> | /1 0,02 ÷ 0,8                      /5 0,1 ÷ 4<br>/7 0,5 ÷ 8 |

**SPARE PARTS**

|                          |          |
|--------------------------|----------|
| Relieving kit adjustment | RRP/SG/6 |
|--------------------------|----------|