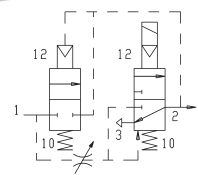
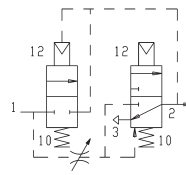
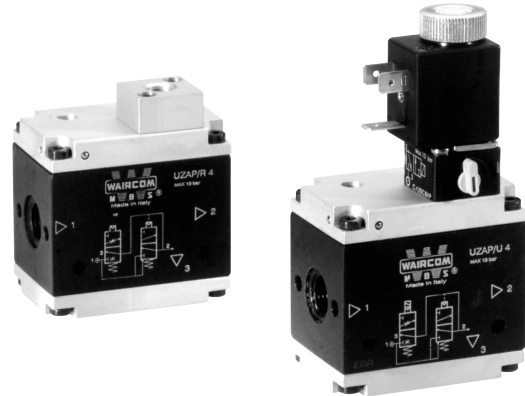


# series UZ

## Air treatment: soft-start valve UZAP G 1/4

### DESCRIPTION

**SOFT-START VALVE:** soft-start valves series "UZAP" are produced with connections G 1/4 in the pneumatic and solenoid actuated versions. The working of the soft-start valve consists in feeding gradually air into the circuit with adjustable flow. When the pressure in the circuit reaches the 50 ÷ 60% of the upstream set pressure, the valve switches to full capacity, supplying the circuit with the maximum flow rate. They are in compliance with ATEX directive, 2GD category, upon request.



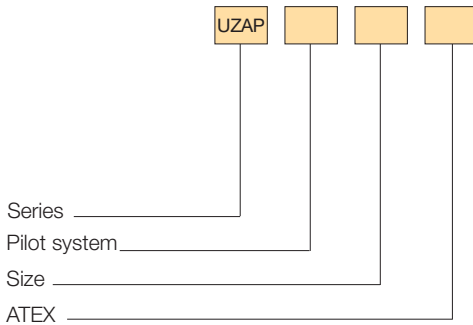
### TECHNICAL DATA

Maximum pressure	10 bar
Working temperature	0 ÷ +50 °C (-10 °C with dry air)
Fluid	Filtered, unlubricated or continuous lubricated compressed air
Port size	G 1/4
Piloting port size	G 1/8
Flow rate at 6 bar $\Delta P=1$ bar	500 NI/min ( 750 NI/min for type UZAP/A4)
Max. flow rate of the adjusting screw of the filling time	300 NI/min
Type of mounting	Modular, in-line and wall-mounting
Wall clamping screws	M4x50
Piloting solenoid valve	C/USCSV - see chapter Direct acting solenoid valves on page 2.14
Coil	USB - see chapter Coils on page 2.17 USBG - see chapter Coils on page 2.17 USBG2 - see chapter Coils on page 2.17
Electric connector	USR 102/N9 - see chapter Connectors on page 2.18 ULR1B - see chapter Connectors on page 2.18

### MATERIALS

Body	Anodized aluminium alloy
Springs	Stainless steel
Pistons	Anodized aluminium alloy
Seals	NBR rubber

### ORDER KEY



### PILOT SYSTEM

/R Pneumatic                                  /U Solenoid

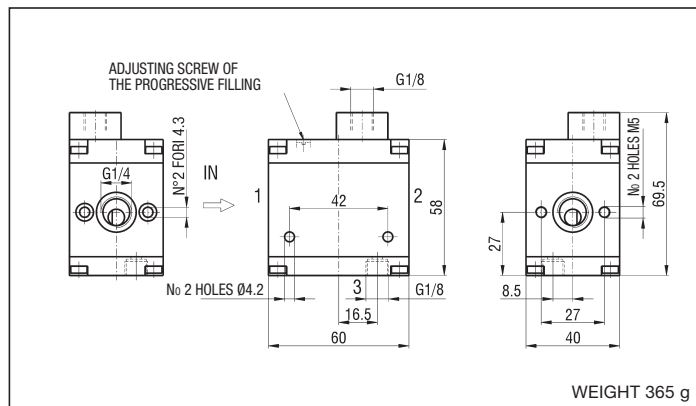
### SIZE

4 G 1/4

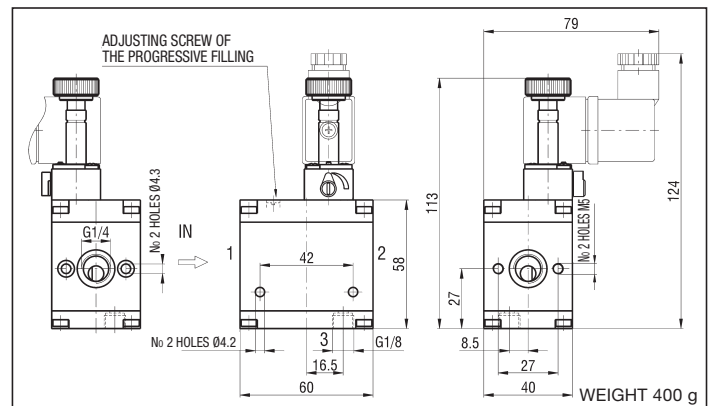
### ATEX

/EX Consistent with the ATEX directive  $\text{Ex}$  II 2GD c T5 T100°C -10°C  $\leq$  Ta  $\leq$  50°C

### DIMENSIONS AND WEIGHT - UZAP/R4



### DIMENSIONS AND WEIGHT - UZAP/U4

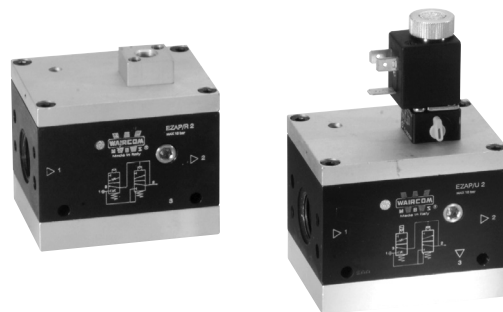


# series EZ

## Air treatment: soft-start valve EZAP G 3/8 - G 1/2 - G 1

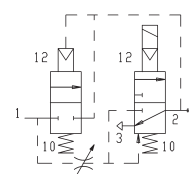
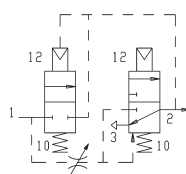
### DESCRIPTION

Soft - start valves series "EZAP" are produced with connections G 3/8, G 1/2 and G 1 in the pneumatic and solenoid actuated versions. The working of the soft-start valves consists in feeding gradually air into the circuit with adjustable flow. When the pressure in the circuit reaches the 50 ÷ 60% of the upstream set pressure, the valve switches to full capacity, supplying the circuit with the maximum flow rate. They are in compliance with ATEX directive, 2GD category, upon request.



### TECHNICAL DATA

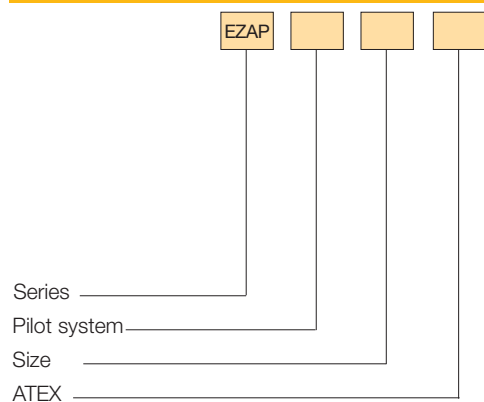
Maximum pressure	10 bar
Working temperature	0 ÷ +50 °C (-10 °C with dry air)
Fluid	Filtered, unlubricated or continuous lubricated compressed air
Port size	G 3/8 - G 1/2 - G 1
Flow rate at 6 bar ΔP=1 bar	G 3/8 = 1000 NI/min G 1/2 = 1650 NI/min G 1 = 4000 NI/min
Max. flow rate of the adjusting screw of the filling time	G 3/8 = 400 NI/min G 1/2 = 500 NI/min G 1 = 500 NI/min
Type of mounting	Modular, in-line and wall-mounting
Wall clamping screws	G 3/8: M4x60 G 1/2: M5x70 G 1: M6x90
Piloting solenoid valve	C/USCSVP - see chapter Direct acting solenoid valves on page 2.14
Coils	USB - see chapter Coils on page 2.17 USBG - see chapter Coils on page 2.17 USBG2 - see chapter Coils on page 2.17
Electric connector	USR 102/N9 - see chapter Connectors on page 2.18 ULR1B - see chapter Connectors on page 2.18



### MATERIALS

Body	Aluminium alloy
Springs	Stainless steel
Pistons	Aluminium alloy
Seals	NBR rubber

### ORDER KEY



### PILOT SYSTEM

/R Pneumatic /U Solenoid

### SIZE

3 G 3/8 2 G 1/2  
1 G 1

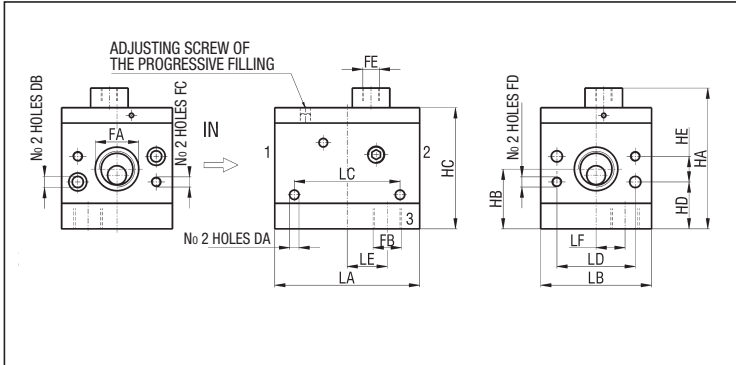
### ATEX

/EX Consistent with the ATEX directive  II 2GD c T5 T100°C -10°C ≤ Ta ≤ 50°C

**Air treatment:  
soft-start valve EZAP G 3/8 - G 1/2 - G 1**

**series EZ**

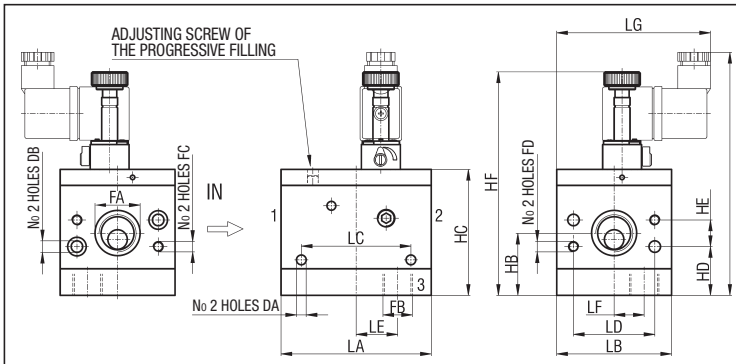
**DIMENSIONS AND WEIGHTS - EZAP /R**



SIZE	DA	DB	FA	FB	FC	FD	FE	HA	HB	HC
3	4,5	5,1	G 3/8	G 1/8	-	M6	G 1/8	68	28,8	56,5
2	5,5	6,5	G 1/2	G 3/8	M6	M6	G 1/8	82,5	35	71

SIZE	HD	HE	LA	LB	LC	LD	LE	LF	WEIGHT (g)
3	28,8	-	70	50	51,5	35	20	12	505
2	27,5	15	85	65	62	46	23,5	17	985

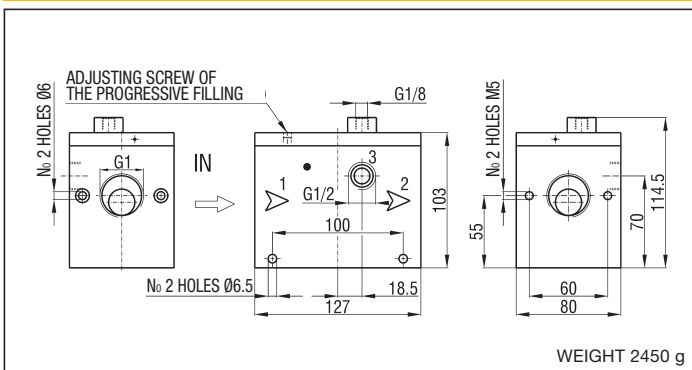
**DIMENSIONS AND WEIGHTS - EZAP /U**



SIZE	DA	DB	FA	FB	FC	FD	HA	HB	HC	HD
3	4,5	5,1	G 3/8	G 1/8	-	M6	122,5	28,8	56,5	28,8
2	5,5	6,5	G 1/2	G 3/8	M6	M6	137	35	71	27,5

SIZE	HE	HF	LA	LB	LC	LD	LE	LF	LG	WEIGHT (g)
3	-	115,5	70	50	51,5	35	20	12	79,5	540
2	15	126	85	65	62	46	23,5	17	87	1020

**DIMENSIONS AND WEIGHT - EZAP/R1**



**DIMENSIONS AND WEIGHT - EZAP/U1**

