

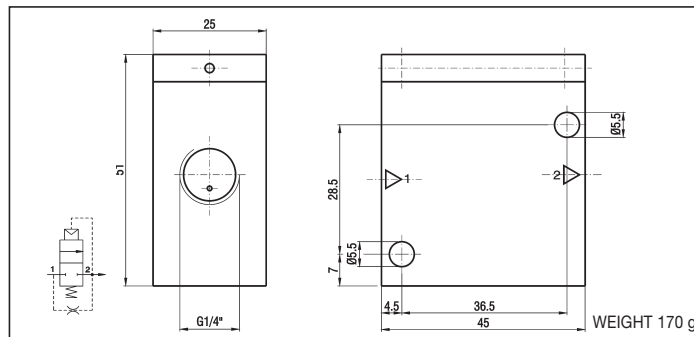
**Air treatment:  
automatic soft-start valve  
UZAP/A4 G 1/4**

**series UZ**

**DESCRIPTION**

AUTOMATIC SOFT-START VALVE: this valve, produced with connections G 1/4 in the 2/2 pneumatic version, even if cannot be modular assembled with the F-R-L of series "UZ", yet assures the same functionality of the soft-start valve before mentioned, and with the peculiarity of being "automatic", not needing any kind of external pilot. They are in compliance with ATEX directive, 2GD category, upon request.

**DIMENSIONS AND WEIGHT - UZAP/A4**



4

**Air treatment:  
shut - off valve UZVL G 1/4**

**series UZ**

**DESCRIPTION**

Shut - off valves series "UZVL" are produced with connections G 1/4 and they are fit to be locked in the exhaust position by means of a standard padlock. It is in compliance with ATEX directive, 2GD category, upon request.



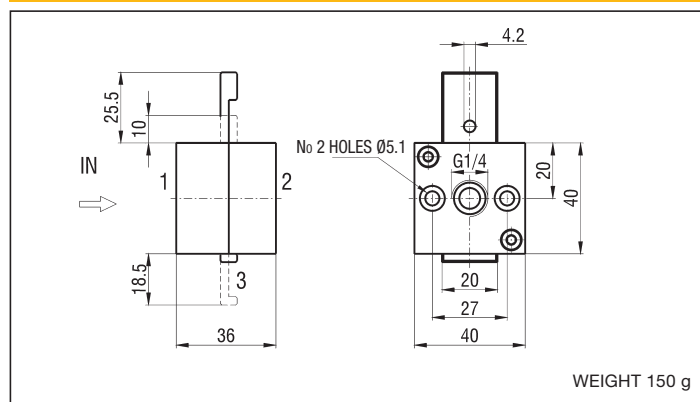
**TECHNICAL DATA**

Maximum pressure	16 bar
Working temperature	0 ÷ +50 °C (-10° C with dry air)
Fluid	Filtered, unlubricated or continuous lubricated compressed air
Port size	G 1/4
Flow rate at 6 bar ΔP=1 bar	1300 NI/min
Type of mounting	Modular and in-line

**MATERIALS**

Body	Anodized aluminium alloy
Seals	NBR rubber
Slider	Anodized aluminium alloy

**DIMENSIONS AND WEIGHT - UZVL/4**

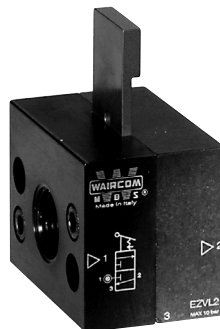


# series EZ

## Air treatment: shut-off valve EZVL G 3/8 - G 1/2 - G 1

### DESCRIPTION

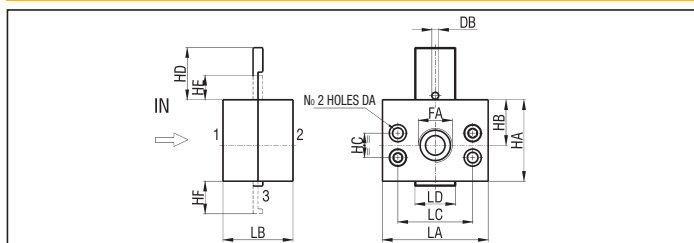
Shut - off valves series "EZVL" are produced with connections G 3/8, G 1/2 and G 1 and they are fit to be locked in the exhaust position by means of a standard padlock. They are in compliance with ATEX directive, 2GD category, upon request.



### TECHNICAL DATA

Maximum pressure	16 bar
Working temperature	0 ÷ +50 °C (-10 °C with dry air)
Fluid	Filtered, lubricated and unlubricated compressed air
Flow rate at 6 bar ΔP=1 bar	G 3/8 = 2400 NI/min G 1/2 = 3150 NI/min G 1 = 4250 NI/min
Port size	G 3/8 - G 1/2 - G 1
Type of mounting	Modular and in-line

### DIMENSIONS AND WEIGHTS - EZVL



### MATERIALS

Body	Anodized aluminium alloy
Seals	NBR rubber
Slider	Anodized aluminium alloy

TYPE	DA	DB	FA	HA	HB	HC	HD	HE	HF	LA	LB	LC	LD	WEIGHT (g)
EZVL/3	5,5	4,2	G 3/8	50	25	-	36	15	21	50	39	35	25	260
EZVL/2	6,5	4,2	G 1/2	50	28	15	32	15	20	65	43	46	25	370
EZVL/1	6,1	4,2	G 1	60	30	-	34	15	22	80	60	60	25	700