

Accessories:
actuators for panel mounting

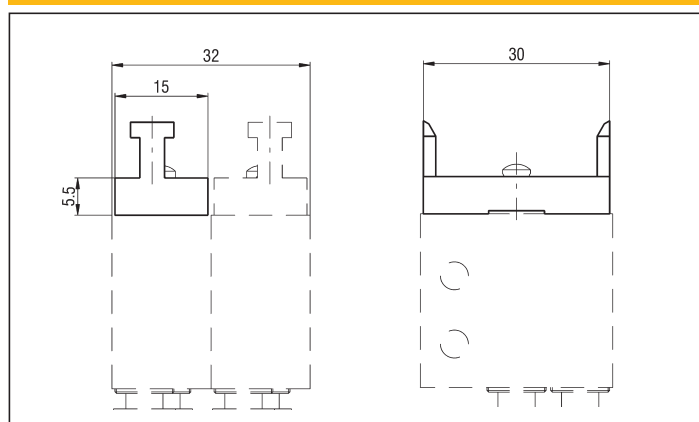
series **M**

3

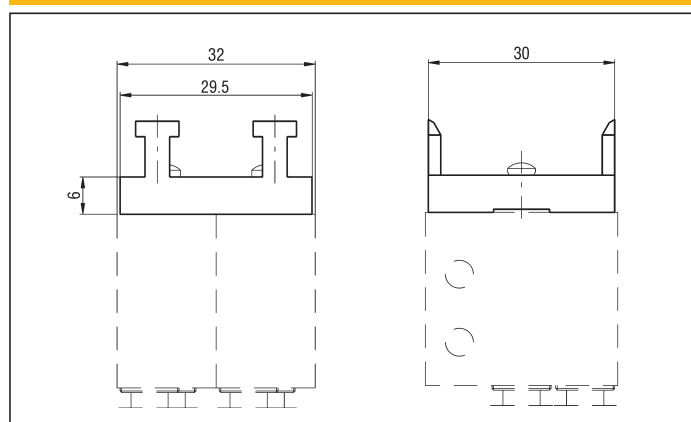
ACTUATORS FOR PANEL MOUNTING

Symbol	Description	Function	TYPE	Symbol	Description	Function	TYPE
	Protected monostable push-button BLACK RED GREEN	0 ← 1	MCS - PMN MCS - PMR MCS - PMV		Black bistable short-lever switch	0 1	MCS - LCB
	Red monostable mushroom	0 ← 1	MCS - FMR		Black monostable short-lever switch, 3 position with return to the centre	1 → 0 ← 2	MCS - LCSM
	Red bistable mushroom (rotate to unlock)	0 1	MCS - FBR		Black short-lever switch, 3 stable positions	1 0 2	MCS - LCSB
	Black monostable short-lever switch	0 ← 1	MCS - LCM		Bistable key (extractable in both the 2 positions)	0 1	MCS - CB2

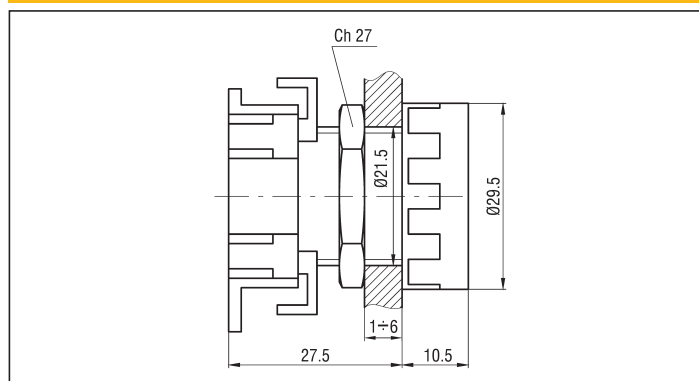
ADAPTER TYPE MCS-SA FOR ACTUATORS



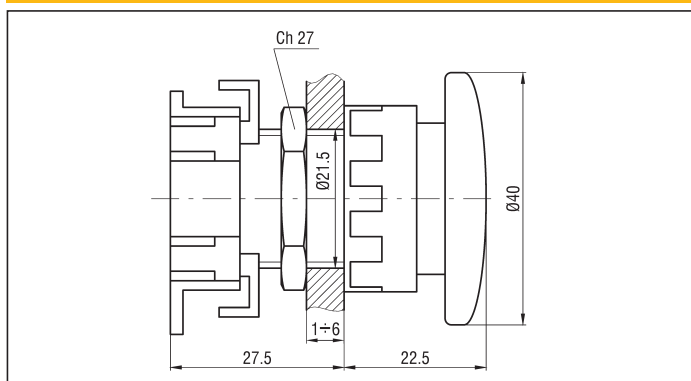
DOUBLE ADAPTER TYPE MCS-SAD FOR ACTUATORS



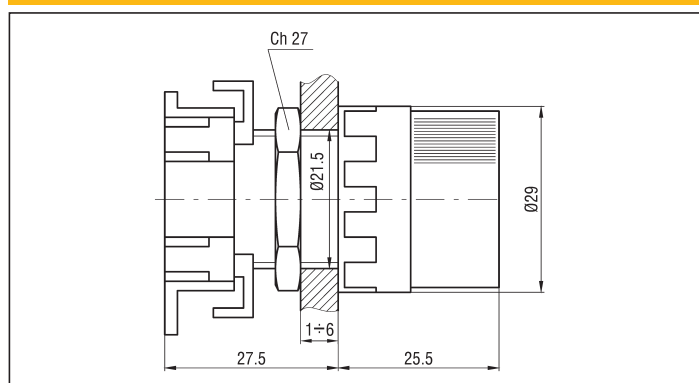
PUSH-BUTTON



MUSHROOM



SHORT - LEVER SWITCH



BISTABLE KEY

